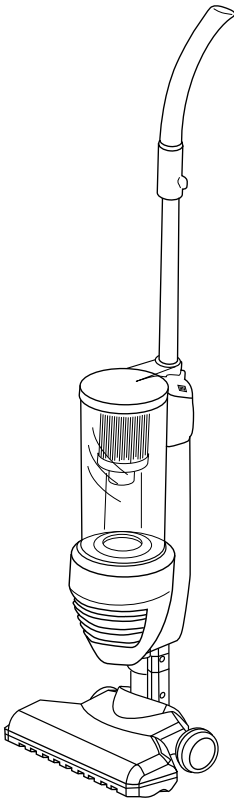




# Electrolux

## Upright Vacuum Cleaner Owner's Guide Household Type Z425 Series



### **IMPORTANT**

For any advice  
on your cleaner and  
to order filters and  
accessories,  
please telephone the  
Electrolux Helpline on  
**08706 055055**

2	IMPORTANT INFORMATION
3	GUARANTEE
4	QUICK REFERENCE
4	HOW TO ASSEMBLE
5	HOW TO USE
5 - 6	ROUTINE MAINTENANCE
5	Empty Dust Cup
6	Clean Dust Cup Filter
6 - 7	PROBLEM SOLVING

 **The Electrolux Group.** *The world's No.1 choice.*

KITCHEN, CLEANING AND OUTDOOR APPLIANCES

[www.electrolux.co.uk](http://www.electrolux.co.uk)

# IMPORTANT SAFEGUARDS

When using an electrical appliance, basic precautions should always be followed, including the following:

**READ ALL INSTRUCTIONS BEFORE USING THIS VACUUM CLEANER.**

## WARNING

To reduce the risk of fire, electric shock, or injury :

- Do not use outdoors or on wet surfaces.
- **Do not leave vacuum cleaner when plugged in.** Turn off the switch and unplug the electrical cord when not in use and before servicing.
- Do not allow to be used as a toy. Close attention is necessary when used by or near children.
- Use only as described in this manual. Use only manufacturer's recommended attachments.
- Do not use with damaged cord or plug. If vacuum cleaner is not working as it should, has been dropped, damaged, left outdoors, or dropped into water, return it to a service center before using.
- Do not pull or carry by cord, use cord as a handle, close door on cord, or pull cord around sharp edges or corners. Do not run vacuum cleaner over cord. Keep cord away from heated surfaces.
- Do not use extension cords or outlets with inadequate current carrying capacity.
- Turn off all controls before unplugging.
- Do not unplug by pulling on cord. To unplug, grasp the plug, not the cord.
- Do not handle plug or vacuum cleaner with wet hands or operate without shoes.
- Do not put any object into openings. Do not use with any opening blocked; keep free of dust, lint, hair, and anything that may reduce airflow.
- This vacuum cleaner creates suction and contains a revolving brushroll. Keep hair, loose clothing, fingers, and all parts of body away from openings and moving parts.
- Do not pick up anything that is burning or smoking, such as cigarettes, matches, or hot ashes.
- Do not use without dust cup or filter in place.
- Use extra care when cleaning on stairs.
- Do not use to pick up flammable or combustible liquids such as gasoline, or use in areas where they may be present.
- Store your cleaner indoors in a cool, dry area.
- Keep your work area well lighted.
- Unplug electrical appliances before vacuuming them.

IMPORTANT INFORMATION

## SAVE THESE INSTRUCTIONS

### BEFORE YOU START

#### CHECK THE VOLTAGE

Before connecting the cleaner to an electrical supply, ensure that the voltage shown on the rating plate located beneath the cleaner is of the correct voltage for your electricity supply. If it is not, do not use the cleaner but refer back to your dealer.

#### CONNECTING TO YOUR ELECTRICITY SUPPLY

Permanently connected to the cleaner is a mains supply (2-core) cable fitted with a non-rewirable plug incorporating a 13A fuse.

In the event of the fuse requiring replacement the fuse cover should be removed using a small screwdriver. The old fuse **MUST** be replaced by a 13A ASTA approved BS1362 fuse or a BSI approved fuse. The cover must be replaced before the plug is used again. In the event of loss of the fuse cover, replacements can be obtained from your Electrolux Retailers and must be of the same colour as indicated by the coloured insert on the base of the plug.

If difficulty is experienced in obtaining a replacement, contact Electrolux Customer Services on 08706 055055.

**In no circumstances must the plug be used without a correct fuse cover fitted.**

If the plug that is fitted to your appliance is not suitable for your socket outlet, it must be cut off and the appropriate plug fitted.

Remove the fuse from the cut off plug.

The cut off plug should then be disposed of to prevent the hazard of shocks in case it should be plugged into a 13 amp socket in another part of your home.

The wires in the mains cable of this appliance are coloured in accordance with the following code: **Blue: Neutral. Brown: Live.**

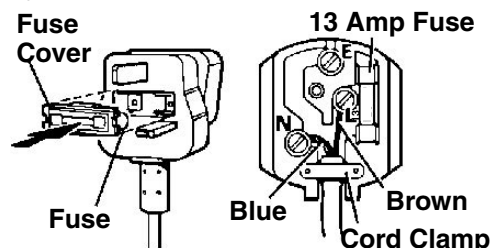
As the colours of the wires in the mains cable of this appliance may not correspond with the coloured markings identifying the terminals in your plug, proceed as follows:

The wire which is coloured blue must be connected to the terminal which is marked with the letter N or coloured black.

The wire which is coloured brown must be connected to the terminal which is marked with the letter L or coloured red.

If using a three-pin plug, do not make any connection to the terminal marked with the letter E or by the earth symbol or coloured green or green-and-yellow. This cleaner is double insulated and no earth connection is necessary.

It is in your interest to ensure that the plug is correctly attached to the mains cable. In case of doubt, consult a qualified electrician, as Electrolux cannot regard the repair of faults on the plug connection as a service that can be given free of charge under the terms of the guarantee.



## WARNING

#### Proprietary carpet conditioning and air freshening materials

After using proprietary carpet conditioning powders, it is recommended that the filters be changed. Some of these preparations contain substances which if left in the vacuum cleaner for extended periods could damage the plastic mouldings which form the structure of the cleaner.

Many air fresheners, household deodorants, sprays and polishes contain a highly flammable gas propellant.

Because of this, it is particularly important that these products are used strictly in accordance with the relevant manufacturer's instructions.

It is essential that none of the above products are sprayed directly into the vacuum cleaner or any of its filters, hose assembly, dustbag chamber or dust cup.

#### Thermal Cut Off

This vacuum cleaner has a special thermostat that protects the cleaner in case of motor overheating. If the cleaner shuts off, turn off the switch and unplug the cleaner. Check the cleaner for a possible source of overheating such as a full dust cup or a clogged filter. After the 60 minute period, plug the cleaner back in and push the on/off switch On (I). If the cleaner still does not run, please call Electrolux Customer Care.

## SERVICE

Should you require service on your Electrolux cleaner, please telephone Electrolux Customer Services on 08706 055055. Before requesting service, please check whether your problem is covered under Service Checklist (see below).

New filter pads, brush rollers and drive belts can be obtained from Electrolux Retailers. If difficulty is experienced in obtaining spares, please contact Electrolux on 08706 055055.

## SERVICE CHECKLIST

- If your cleaner will not operate, check the plug connection, plug fuse and mains fuse.
- **Never allow** the dust cup to become so full that it impedes the air-flow, thus reducing the cleaning efficiency of the machine. The character of household dust and its effect on the air-flow through the machine may vary considerably. Fluffy dust allows air to pass through readily whereas fine powdery dust or proprietary cleaning powders, pack tightly in the dust cup, offering greater resistance to air-flow and will reduce cleaning efficiency if the cup becomes overloaded.
- **Always store** your cleaner and spare dust filters in a dry place.
- **Renew** the filter pads three or four times a year. This is essential to ensure continued high filtration of dust particles.
- **Sucking up** such items as stockings, clippings of cloth, sizeable pieces of paper, wrappings from cigarette packets or sweets etc., may cause blockages in the cleaner. **Electrolux regrets that the clearing of blockages cannot be regarded as service that can be given free of charge, under the guarantee.**
- **Never** pick up hot cinders or lighted cigarette ends.
- **Make certain that your cleaner does not come into contact with water or any other liquid. It is not designed as a wet pick up cleaner, and must never be used on damp carpets or wet floors.**

Important - in the event of the mains supply cable of this vacuum cleaner requiring replacement, we recommend that this be carried out by Electrolux Service Staff.

## Spares

New filters and brush rollers can be obtained from Authorised Electrolux Dealers and electrical retailers. If difficulty is experienced in obtaining spares please call us on 08706 055055 or visit our website at [www.shop.electrolux.co.uk](http://www.shop.electrolux.co.uk)

## GUARANTEE

**This guarantee is in addition to your statutory and other legal rights.**

**This product is for household use only.**

Electrolux products are carefully designed, manufactured, tested and inspected and, in consequence, we undertake to replace or repair any part found to be defective in materials or workmanship, within one year of delivery to the original purchaser, free of charge. You may be required to take the product to your nearest service provider if the product requires attention during the first year.

There are certain conditions which may invalidate this guarantee:

- a. It is dependent upon the appliance being correctly installed and used in accordance with the Company's instructions under normal domestic conditions within the United Kingdom or the Republic of Ireland.
- b. Service at all times must be carried out by an Electrolux Service Representative or authorised agent.
- c. The guarantee may be invalidated by unauthorised repair or modification of the appliance.
- d. You may be charged by Electrolux if you call for an engineer to resolve a problem that we believe is covered in the instruction booklet. (example: blocked/dirty filters)

Electrolux does not accept liability for all defects arising from neglect, misuse or accident. This guarantee excludes such normal wearing parts as drive belts, brushes and filters as the life of these depends upon the amount and nature of use.

Proof of purchase will be required before service under guarantee is provided. Please call 08706 055 055 for assistance.

### IMPORTANT:

For future reference we suggest you record the following details here, and keep the receipt with the handbook as proof of purchase.

Purchased from \_\_\_\_\_  
Date purchased \_\_\_\_\_ Model no \_\_\_\_\_



101 Oakley Road, LUTON, BEDFORDSHIRE, LU4 9QQ

Features of the Electrolux vacuum cleaner and accessories supplied with it are protected in Great Britain and abroad by Patents or Registered Designs.

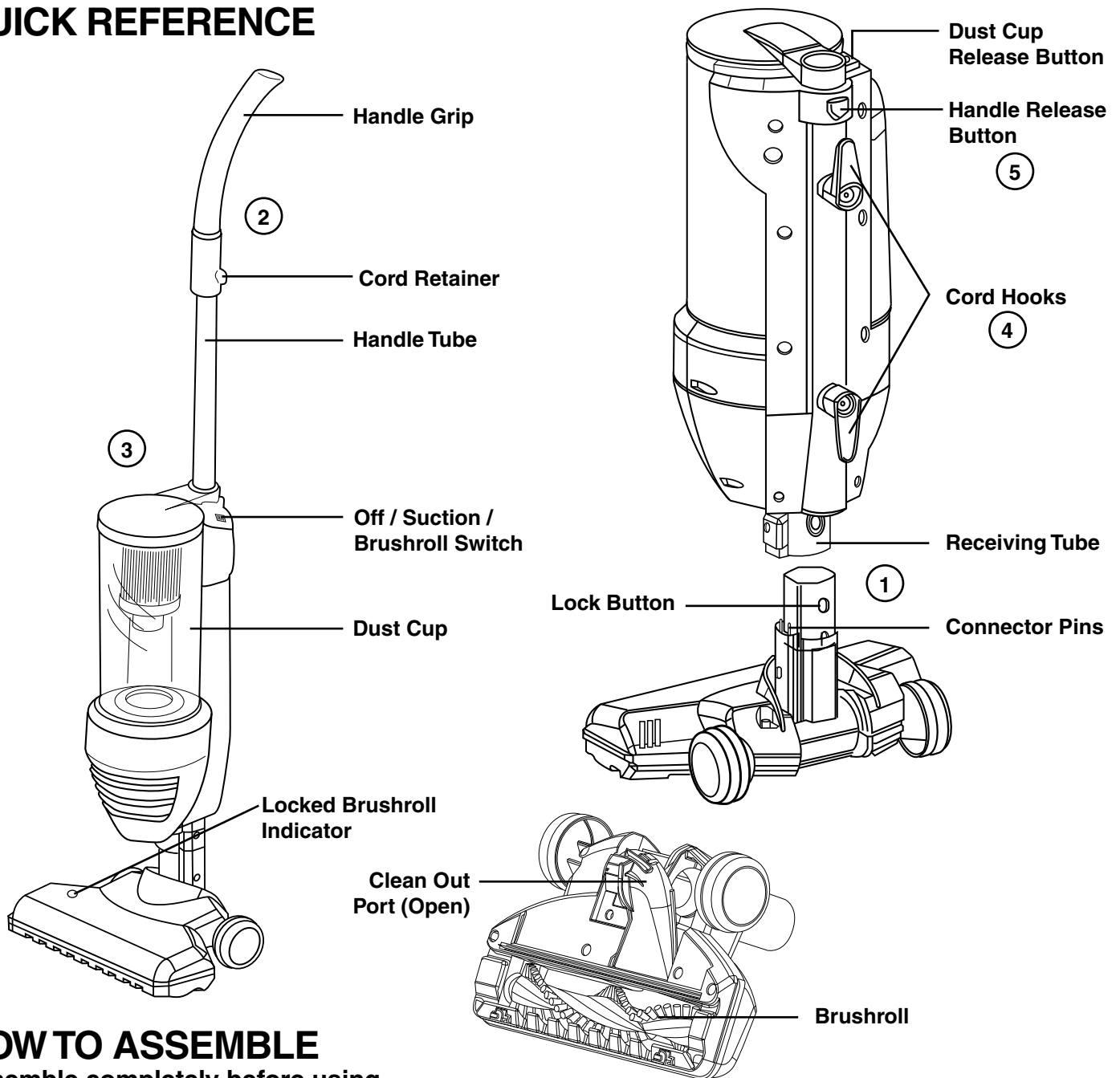
This appliance conforms with the requirements of the amended E.E.C. directive No. 89/336/EEC relating to electromagnetic compatibility (EMC) CE.

Electrolux, may introduce modifications to their product from time to time, and consequently the details given in this booklet are subject to alteration without notice.

# QUICK REFERENCE

QUICK REFERENCE

HOW TO ASSEMBLE



## HOW TO ASSEMBLE

Assemble completely before using.

### 1. Attaching or Removing Floor Nozzle.

Align the lock button on the floor nozzle neck with the hole in the receiving tube on the main body. Push the lock button and slide the floor nozzle into the main body until it clicks into place. Push the lock button in and pull on the floor nozzle to remove it from the main body.

### 2. Attach Handle Grip.

Align the lock button on the handle tube with the hole in the handle grip. Push the lock button and slide the handle into place.

### 3. Attach handle tube to the cleaner.

Insert the end of the handle tube with the guide tabs into the cleaner. Push the handle release button to get the handle tube fully inserted. The handle is properly inserted when you hear a click.

### 4. Store Cord (using cord hooks).

Pull the electrical cord down around the lower cord hook, then wrap cord around upper and lower cord hooks. Fasten plug to electrical cord to prevent unwinding.

### 5. Store Unit.

Push the telescoping handle release button to lower the handle into its compact storage position. The handle is locked down when a click is heard.

# HOW TO USE

## Power Switch

1. This vacuum has a 3-position switch. O is Off, I is "Suction Only," and II is "Suction and Brushroll."
2. For bare floor cleaning use suction only (I). For carpet cleaning, use suction and brushroll (II).

The nozzle allows for low profile cleaning. Airflow under the nozzle automatically directs suction to the edges and corners for maximum full width cleaning.

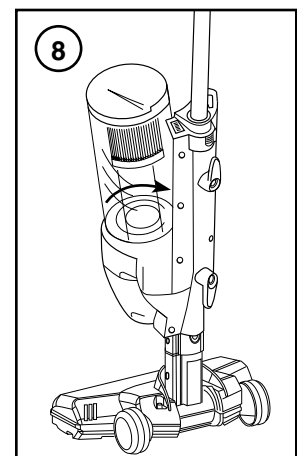
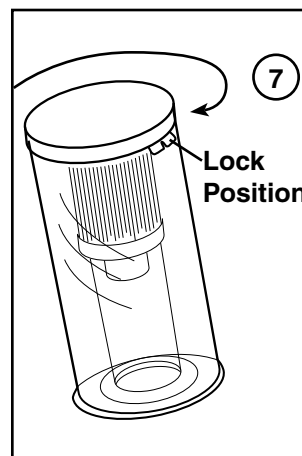
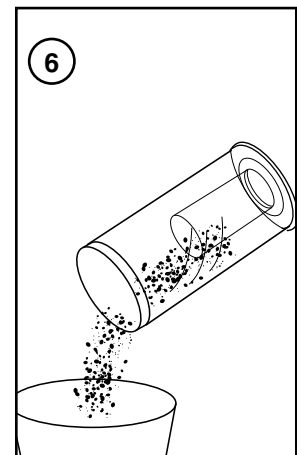
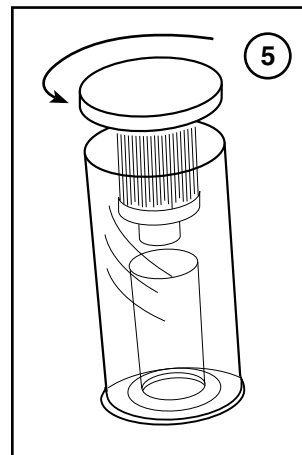
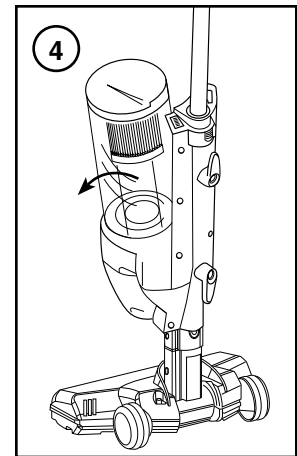
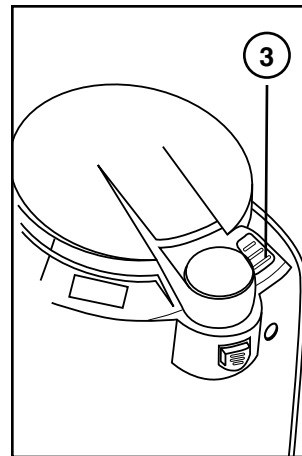
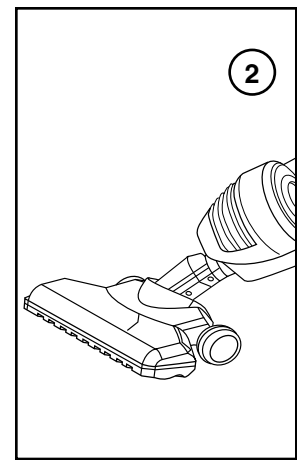
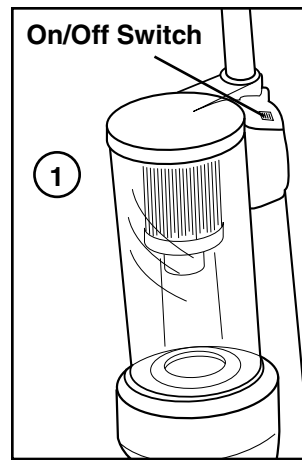
## ROUTINE MAINTENANCE

The instructions in this booklet serve as a guide to routine maintenance. To keep the cleaner operating at top efficiency empty the dust cup and clean the filter after each use. To maximize cleaner efficiency do not allow the dust cup to be filled past the bottom of the filter.

### Empty Dust Cup

**CAUTION:** Turn off the power switch and unplug the electrical cord to service.

3. Push dust cup release button.
4. Pull the dust cup away from the main housing.
5. Rotate the dust cup lid counterclockwise to remove. The dust cup filter comes out with the dust cup lid.
6. Empty the dust cup into a waste container. (To clean filter refer to dust cup filter section.)
7. Put the lid back on dust cup. Be sure the gasket on the filter bottom is centered in the inner tube and the lid is aligned correctly on the cup. Rotate the dust cup lid clockwise until it locks.
8. Place the bottom of the dust cup in the main housing. Push the top of the dust cup back into place until it locks.



HOW TO USE

ROUTINE MAINTENANCE

Empty Dust Cup

### Clean Dust Cup Filter



**CAUTION:** Turn off the power switch and unplug the electrical cord to service.

Clean dust cup filter as necessary.

1. Remove dust cup.
2. Remove dust cup lid and filter assembly.
3. Shake and brush the dust and dirt from filter. If desired, launder the filter by hand in warm water using a mild detergent. The filter may be washed up to 6 times. Air dry thoroughly.
4. Replace filter in dust cup by twisting the dust cup lid firmly into place to ensure proper filter performance.
5. Place bottom of dust cup in main housing. Push top of dust cup back into place until it locks.



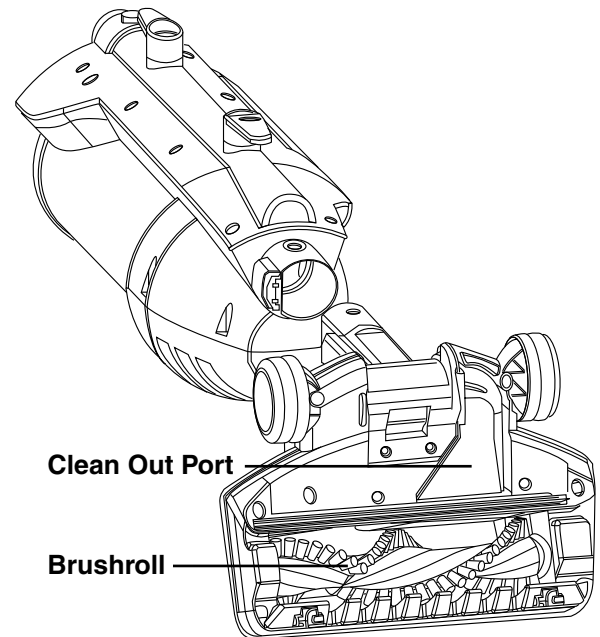
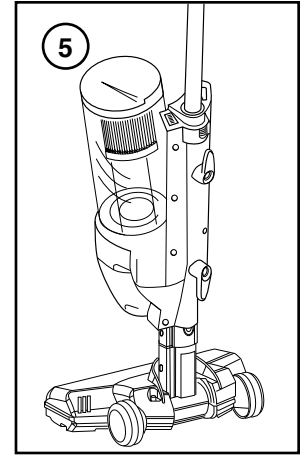
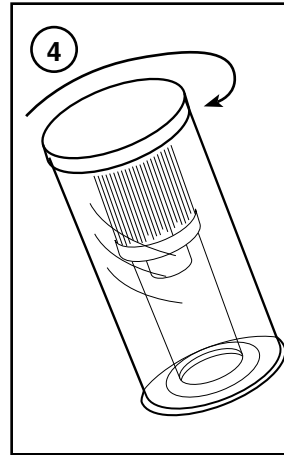
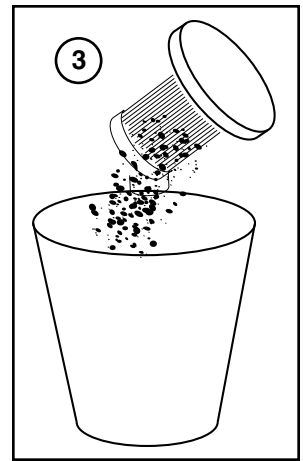
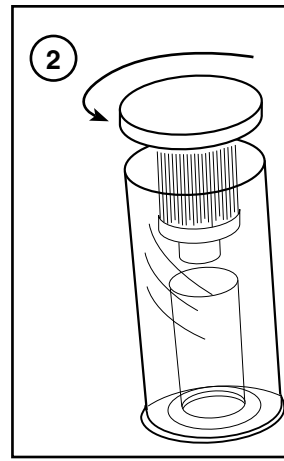
**NOTE:** The dust cup filter is not dishwasher safe. Do not put in dishwasher.



**NOTE:** When vacuuming carpet fresheners or cleaners, powder, plaster dust, or similar fine substances, the dust cup filter will require more frequent maintenance.

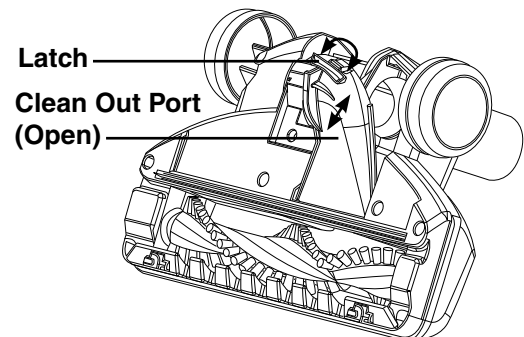


**NOTE:** Use only GENUINE ELECTROLUX replacement filters, Code EF88.



Clean Out Port

Brushroll



Latch

Clean Out Port (Open)

### PROBLEM SOLVING

#### Remove a Clog in the Base

This model has a clean-out port which allows access into the bottom of the power nozzle in order to remove large debris that has become lodged in the airway. (See page 3 for location.)



**CAUTION:** Turn off the power switch and unplug the electrical cord to service.

1. On the bottom of the power nozzle, locate the transparent Clean-Out Port Door located between the wheels. (See page 3.)
2. Remove the port door by squeezing the latch at the back of the nozzle and rotating the port door forward. No tools are needed for this step.
3. Locate and remove clog from the power nozzle.
4. Reattach the clean-out port door by inserting the front edge into position and rotating the door into the base until the latch snaps into place. Ensure that the latch is secure. Do not use the vacuum without first reattaching the clean-out port door.
5. If needed, you may remove the power nozzle from the main body of the cleaner to locate the clog in the neck of the power nozzle.

# Problem Solving

NOTE: Turn off the switch and unplug electrical cord before servicing.

PROBLEM	CAUSE	SOLUTION
Motor will not start	<ul style="list-style-type: none"> <li>○ Electrical Plug</li> </ul>	<ul style="list-style-type: none"> <li>□ Push plug securely into outlet.</li> <li>□ Try another outlet</li> <li>□ Check circuit breaker</li> </ul>
Motor stops suddenly	<ul style="list-style-type: none"> <li>○ Thermal Cut Off</li> </ul>	<ul style="list-style-type: none"> <li>□ Page 2</li> </ul>
Does not clean the carpet or floor	<ul style="list-style-type: none"> <li>○ Filters</li> </ul>	<ul style="list-style-type: none"> <li>□ Clean or replace filters. <b>Hint:</b> If picking up fine dust, the filters may not look dirty but a fine substance tends to reduce suction when it blocks the airflow through the filter(s).</li> </ul>
	<ul style="list-style-type: none"> <li>○ Empty Dust Cup</li> </ul>	<ul style="list-style-type: none"> <li>□ Empty dust cup. Check to ensure cup is properly seated and secured.</li> </ul>
	<ul style="list-style-type: none"> <li>○ Clog</li> </ul>	<ul style="list-style-type: none"> <li>□ Make sure the Clean Out Port is secured back on the base.</li> <li>□ Remove any blockages in the base that restricts the air flow.</li> </ul>
	<ul style="list-style-type: none"> <li>○</li> </ul>	<ul style="list-style-type: none"> <li>□ Clean hair and thread from bristles and end cap area.</li> </ul>
	<ul style="list-style-type: none"> <li>○ Brush Roll</li> </ul>	<ul style="list-style-type: none"> <li>□ Reset the brushroll circuit protector switch, see below.</li> </ul>
Noise from the brush roll area	<ul style="list-style-type: none"> <li>○ Brush Roll</li> </ul>	<ul style="list-style-type: none"> <li>□ Clean debris or items from the brush roll area.</li> </ul>
Missing parts	<ul style="list-style-type: none"> <li>○</li> </ul>	<ul style="list-style-type: none"> <li>□ Call Electrolux on 08706 055055. Have the model and serial numbers ready when you call. See rating plate beneath the cleaner.</li> </ul>
Questions	<ul style="list-style-type: none"> <li>○</li> </ul>	<ul style="list-style-type: none"> <li>□ Call Electrolux on 08706 055055. Have the model and serial numbers ready when you call. See rating plate beneath the cleaner.</li> </ul>

## Automatic Brushroll Circuit Protector

This vacuum comes equipped with a brushroll circuit protector which turns the brushroll off in the event of a stall situation. A locked brushroll condition is indicated with the signal light on the hood.



**CAUTION: Turn off the power switch and unplug the electrical cord to service.**

1. Turn off the vacuum and unplug it.
2. Remove the obstruction from the brushroll.
3. Plug the cleaner back in and turn the vacuum on to continue using.
4. Periodically remove hair and threads from the brushroll.

**PROBLEM SOLVING**



The symbol on the product or on its packaging indicates that this product may not be treated as household waste. Instead it shall be handed over to the applicable collection point for the recycling of electrical and electronic equipment. By ensuring this product is disposed of correctly, you will help prevent potential negative consequences for the environment and human health, which could otherwise be caused by inappropriate waste handling of this product. For more detailed information about recycling of this product, please contact your local city office, your household waste disposal service or the shop where you purchased the product.

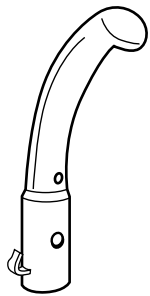
**If you experience any problems with your cleaner,  
don't struggle taking it back to the shop**

**Call our dedicated Customer Helpline  
for help and advice on**

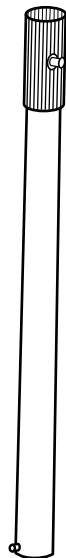
**08706 055055**

---

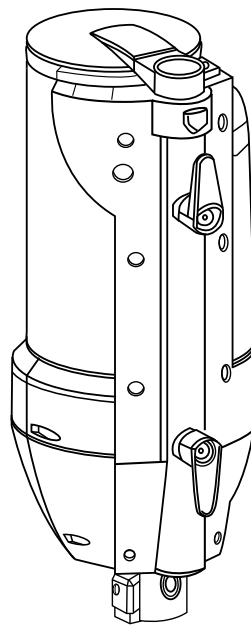
## **Items in This Carton**



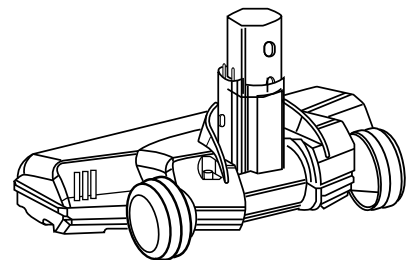
Handle Grip



Handle Tube



Vacuum Cleaner



Nozzle

---

**Thank you for purchasing  
an Electrolux cleaner.**

**Don't Forget to Use  
Genuine Electrolux parts**

Caution: Damages caused by the use of non-genuine parts  
are not covered by the Electrolux Guarantee.