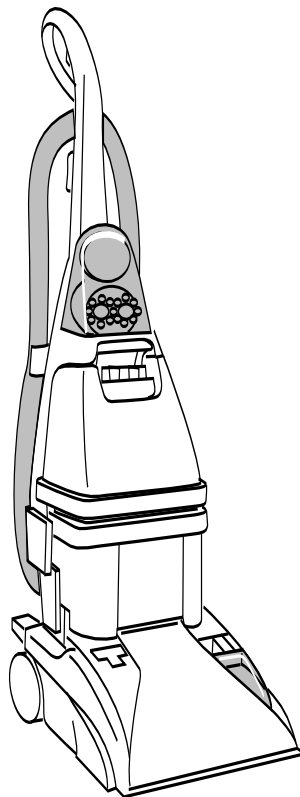


HOOVER[®] **SteamVac**[™] **LS**

**The Easy to Use
Carpet Cleaner**

with automatic tool conversion

**Congratulations on your purchase!
SteamVac[™] LS cleaners have 5 brushes that
deep clean carpets and scrub bare floors!**



**SteamVac[™] Carpet Cleaner cleans carpet fibers by applying,
scrubbing and removing hot tap water and cleaning solution.**



Fill in and Retain

This HOOVER carpet cleaner is designed for deep cleaning carpet, rugs, carpeted stairs and upholstery. The model and serial numbers are located on the data label on the back of the handle.

For your personal records, please enter the COMPLETE model and serial numbers in the spaces provided and retain this information.

Your carpet cleaner is model

and has serial number

It is suggested that you attach your sales receipt to this owner's manual.

Verification of date of purchase may be required for warranty service of your Hoover product.

Index

| | |
|-------------------------------------|-------|
| Important safeguards | 2 |
| Unpacking carpet cleaner | 3 |
| Assembling carpet cleaner | 4-5 |
| Carpet cleaner description | 6 |
| General operation | 6-9 |
| Filling the clean solution tank | 7-8 |
| Emptying the recovery tank | 8-9 |
| Agitator speed selector | 7 |
| Brush Indicator | 7 |
| How to use | |
| Before you begin | 9 |
| After cleaning | 9-10 |
| Cleaning carpet | 10 |
| Picking up spills | 10 |
| Cleaning bare floors | 10-11 |
| Using the tools | 11 |
| Cleaning carpeted stairs | 11-12 |
| Cleaning upholstery | 13 |
| If you have a problem | 14 |
| Lubrication | 14 |
| Service | 14 |
| Storage | 14 |
| Warranty | 14 |
| Parts & accessories mail order form | 37 |



Owner's Manual

ENGLISH → pp. 1-14
ESPAÑOL → pág. 15-24
FRANÇAIS → p. 26-32

Review this manual before operating deep cleaner

Important Safeguards!

When using an electrical appliance, always follow basic precaution, including the following:

READ ALL INSTRUCTIONS BEFORE USING APPLIANCE.

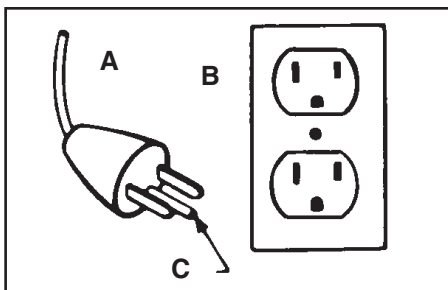
WARNING:

To reduce the risk of fire, electric shock, or injury:

- Use indoors only.
- Use only on surfaces moistened by the cleaning process or small spills. Do not immerse product.
- Connect to a properly grounded outlet only. See "Grounding Instructions".
- Do not clean over floor electrical outlets.
- Do not use without tanks in place.
- Use extra care when cleaning on stairs. Do not place carpet cleaner on stairs.
- Use carpet cleaner only for its intended use as described in the instructions.
- Use only attachments recommended by Hoover; others may cause hazards.
- The use of an extension cord is not recommended. If an extension cord is absolutely necessary, use at least a 16 gauge 3-wire cord which has a 3-prong grounding type plug and a 3-pole receptacle that accepts the machine plug.
- Unplug carpet cleaner when not in use. Turn off all controls before unplugging.
- Unplug before connecting the powered hand tool.
- Always disconnect cord from electrical outlet before servicing the carpet cleaner.
- Do not unplug by pulling on cord. To unplug, grasp the plug, not the cord.
- Never handle plug or appliance with wet hands.
- Do not pull or carry by cord, use cord as a handle, close door on cord or pull cord around sharp edges or corners. Do not run appliance over cord. Keep cord away from heated surfaces.
- Do not use with damaged cord or plug. If appliance is not working as it should, has been dropped, damaged, left outdoors, or dropped into water, take it to a Hoover Sales and Service Center or Authorized Hoover Warranty Service Dealer.
- Close supervision is necessary when any appliance is used by or near children. Do not allow carpet cleaner to be used as a toy or to run unattended at any time.
- Do not point tools toward people or pets.
- Use only commercially available floor cleaners intended for machine application. Do not use any type of wax with carpet cleaner.
- To assist in reducing drying time, be certain the area is well ventilated when using detergents and other cleaners with this machine.
- Keep detergents and other cleaners out of children's reach.
- Do not use to pick up flammable or combustible liquids such as gasoline or use in areas where they may be present.
- Do not pick up chlorine bleach, drain cleaner, gasoline or any other toxic material with this appliance.
- Do not pick up anything that is burning or smoking, such as cigarettes, matches, or hot ashes.
- Avoid picking up hard, sharp objects with the carpet cleaner. They may damage the machine.
- Keep hair, loose clothing, fingers, feet and all parts of body away from openings and moving parts.
- Do not put any object into openings. Do not use with any opening blocked; keep free of dust, lint, hair, and anything that may reduce air flow.
- To help prevent matting and resoiling, avoid contact with carpets until they are dry. Keep children and pets away from carpets until they are completely dry.
- Store in a dry place. Do not expose machine to freezing temperatures.

Save these instructions!

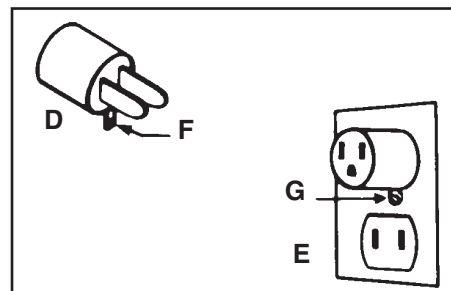
Grounding Instructions



This appliance must be grounded. If it should malfunction or breakdown, grounding provides a path of least resistance for electrical current to reduce the risk of electric shock. This appliance is equipped with a cord having an equipment-grounding conductor (C) and grounding plug (A). The plug must be plugged into an appropriate outlet (B) that is properly installed and grounded in accordance with all local codes and ordinances.

DANGER-

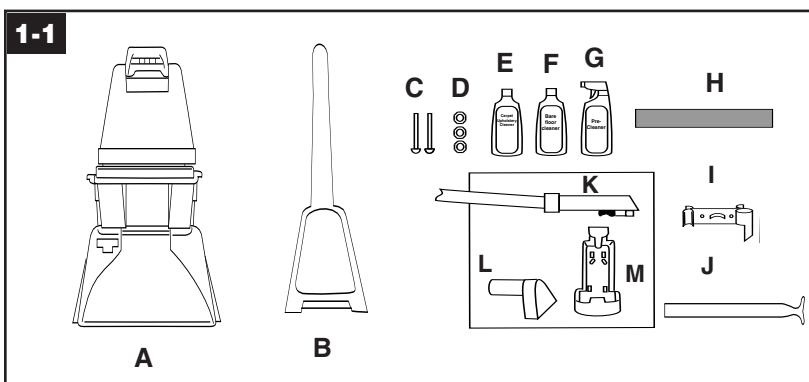
Improper connection of the equipment-grounding conductor can result in the risk of electric shock. Check with a qualified electrician or service person if you are in doubt as to whether the outlet is properly grounded. Do not modify the plug provided with the appliance - if it will not fit the outlet, have a proper outlet installed by a qualified electrician. This appliance is for use on a nominal 120 volt circuit and has a grounding plug that looks like the plug illustrated in sketch (A).



A temporary adapter (D) may be used to connect this plug to a 2-pole receptacle (E) if a properly grounded outlet is not available. The temporary adapter should be used only until a properly grounded outlet (B) can be installed by a qualified electrician. The green colored rigid ear, lug, or the like (F) extending from the adapter must be connected to a permanent ground (G) such as a properly grounded outlet box cover. Whenever the adapter is used, it must be held in place by a metal screw. **NOTE:** In Canada, the use of a temporary adapter is not permitted by the Canadian Electrical Code.

1. Assembly

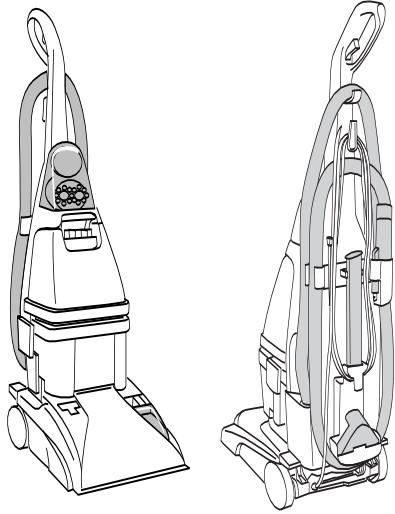
Carton contents



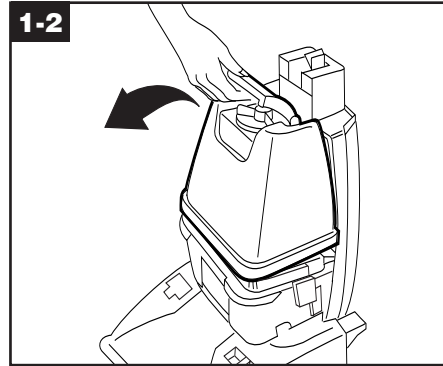
Unpack carpet cleaner from the carton and identify the parts shown. Remove and dispose of the packing.

- A. Carpet cleaner
 - B. Upper handle with powered hand tool and scrub module
 - C. Bolts (2)
 - D. Nuts (3 - one extra included)
 - E. Carpet/Upholstery Detergent
 - F. Hard Floor Cleaning Solution (some models)
 - G. Spot & Stain Spray Cleaner (some models)
 - H. Bare floor attachment
 - I. Hose holder
 - J. Nozzle clean-out tool (some models)
- Contained in carton with hose:
- K. Hose
 - L. Stair/upholstery nozzle
 - M. Hose rack and screw (taped on rack under nozzle)

The assembled cleaner will look like this drawing.

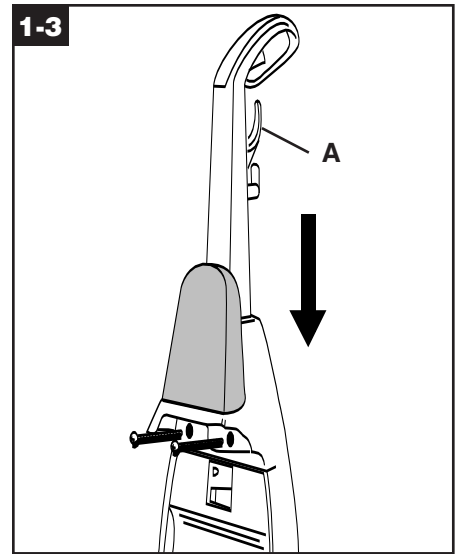


Assemble handle

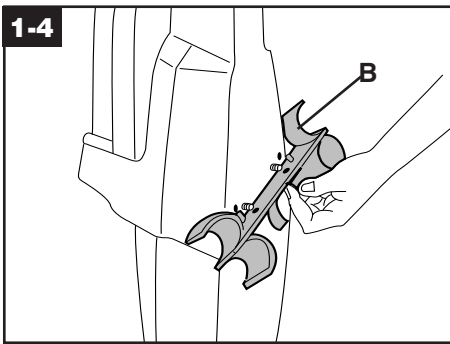


Attach upper handle

Remove clean solution tank (upper tank) from carpet cleaner.

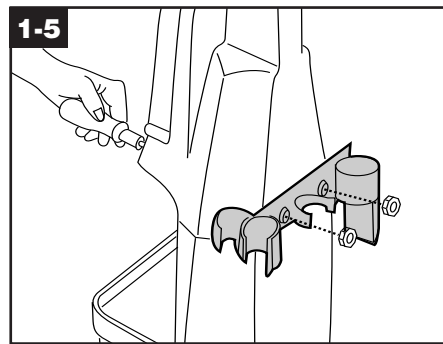


With cord hook (A) to back of carpet cleaner, push upper handle down onto lower handle. Push **bolts** into holes on **front of handle**. If bolts will not go through hole easily handle is not pushed completely down.

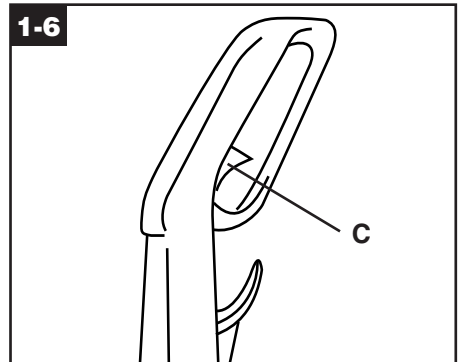


Attach hose holder

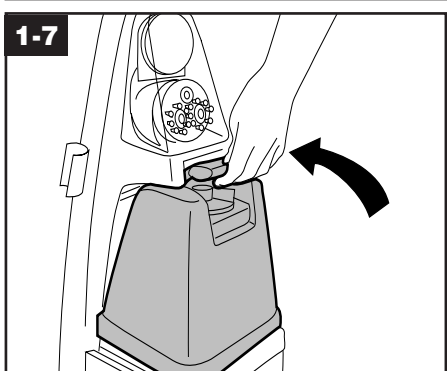
Position hose holder (B) onto handle by matching tabs on rack with openings on back of handle. Make sure holes for bolts are aligned.



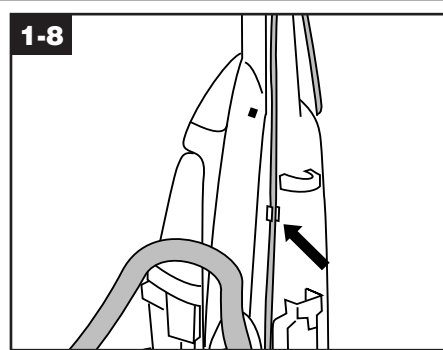
Place **nuts** in recessed areas on **back of hose holder**. Hold each nut in place while tightening each bolt securely (from the front of the handle) with a Phillips screwdriver. Only two nuts are needed on this model. The extra nut is not required but has been provided for your convenience.



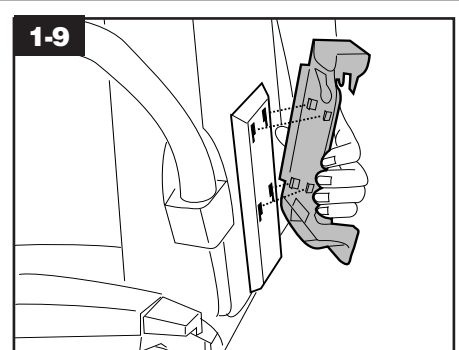
When handle sections are completely together, squeeze trigger (C) on upper handle to snap trigger rod in place.



Replace clean solution tank (upper tank) by positioning bottom first. Press on tank handle to snap top of tank into place.



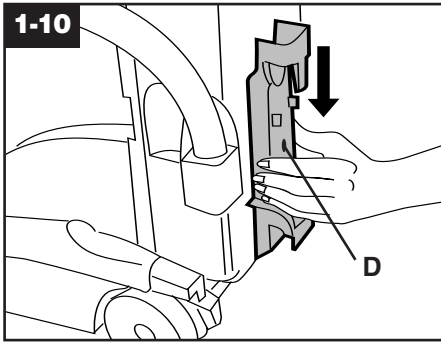
Press cord into cord clip on back of handle. Pull cord tight.



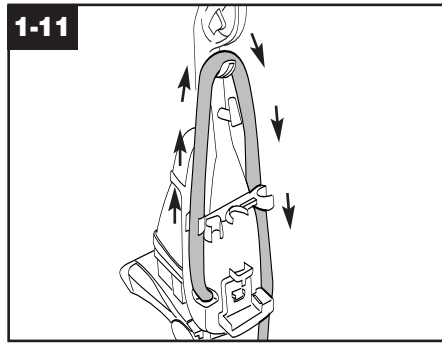
Attach tool holder

Remove tool and taped screw from holder.

Insert projections on rack into slots on back of cleaner.

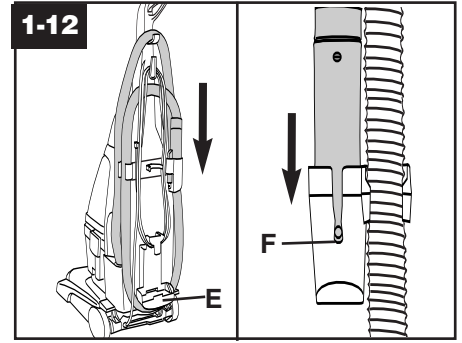


Slide rack down into place. Insert screw at (D) and tighten with a Phillips screw-driver.



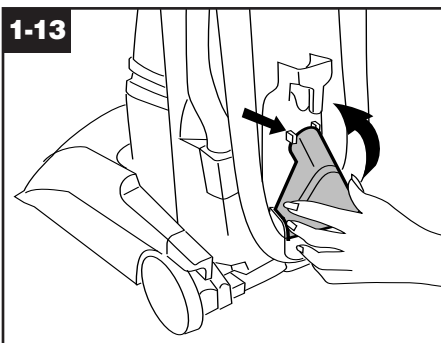
Storing hose & tools

Store hose on holder by first positioning hose in front section of holder.

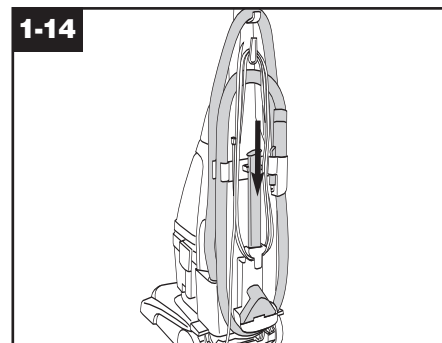


Continue wrapping hose under lower hook (E). Snap hose end **fully** into holder (F).

Ensure that the hose end is pushed down completely into holder (F).



Position tool in holder at base of cleaner and snap it into place as shown at arrow.

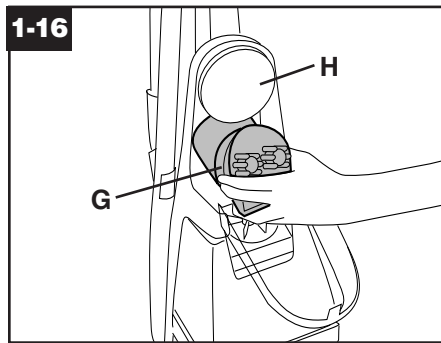


Slide bare floor attachment into holder as shown.



Powered hand tool

The powered hand tool is shipped in a plastic bag for protection. Remove the bag before using the tool by first opening tool door.



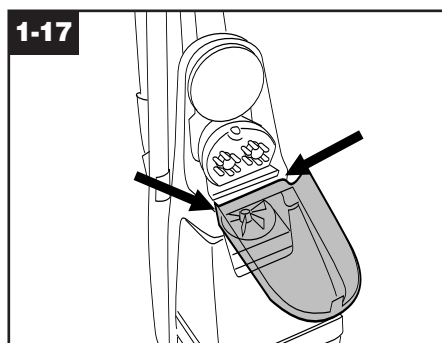
To remove powered hand tool (G), pull it down and outward.

To reposition the tool, reverse this procedure.

To remove the scrub module (H), grasp it at the sides and pull it forward.

To reposition module, fit tabs in the storage area into holes on back of module. Push module to snap it securely into position.

This is the proper storage location for the module.



How to reattach tool cover

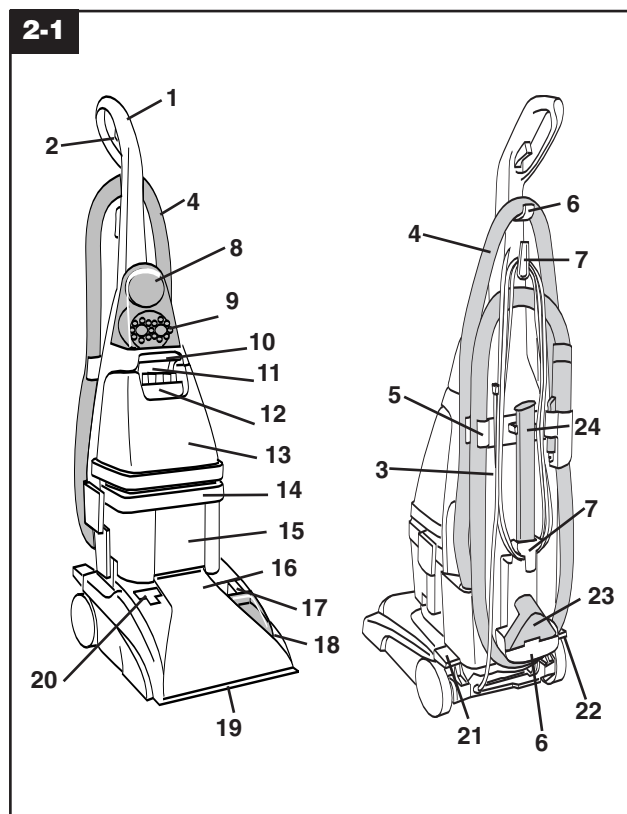
The tool cover is designed with a break-away feature which allows it to snap free if it is pushed open too far.

To reattach, align hinges of cover with holes on sides of tool storage area.

2. How to use

Carpet cleaner description

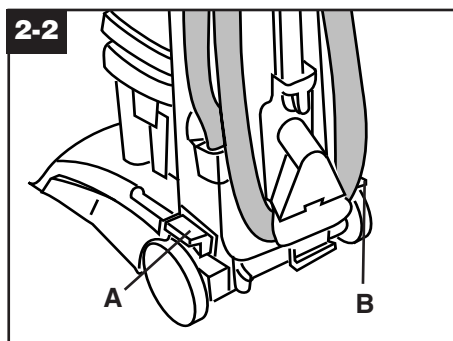
The assembled carpet cleaner will look like the drawing.



1. **Hand grip**
2. **Solution trigger:** press to release clean solution.
3. **Cord clip:** place cord in clip to keep it out of the way when using cleaner
4. **Hose**
5. **Hose holder:** wrap hose around holder and hooks (6) for storage.
6. **Hose hooks**
7. **Cord hooks:** wrap cord around hooks for storage. The top hook can be rotated right or left for quick and easy cord release.
8. **Scrub module**
9. **Powered hand tool**
10. **Carrying handle**
11. **Clean solution tank handle**
12. **Clean solution tank cap/ measuring cup**
13. **Clean solution tank:** holds cleaning solution.
14. **Recovery tank handle:** raise handle to unlock tank for removal; lower handle for ward to lock tank into position.
15. **Recovery tank:** holds dirty solution.
16. **Hood**
17. **Brush speed selector:** slide selector to set brush speed on HI, LO, or OFF.
18. **Brush Indicator:** spins when brushes are rotating.
19. **Nozzle.**
20. **Cleaning mode indicator:** choose either floor or tools
21. **ON/OFF pedal**
22. **Handle release pedal:** step on pedal to lower handle to operating (floor) position;
23. **Stair/upholstery nozzle**
24. **Bare floor attachment**

This carpet cleaner is intended for household use.

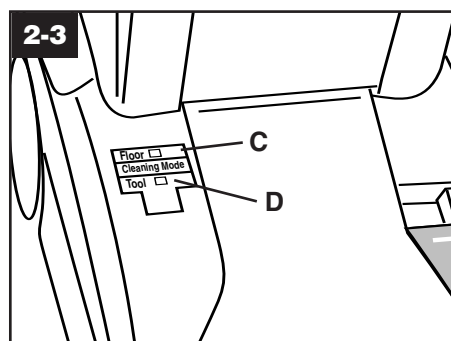
Operate carpet cleaner only at voltage specified on data plate on back of cleaner. Plug carpet cleaner into a properly grounded outlet.



ON/OFF pedal & Handle release pedal

Step on pedal (A) to turn carpet cleaner on. Step on pedal again to turn carpet cleaner off.

Step on pedal (B) to lower handle to operating position. Handle does not lock into a single position but “floats” to allow convenient operation.

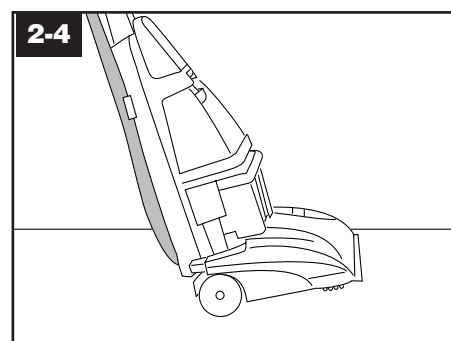


Cleaning mode indicator

Indicator will show a green window next to FLOOR (C) when handle is in the operating position for cleaning carpet rugs and bare floors.

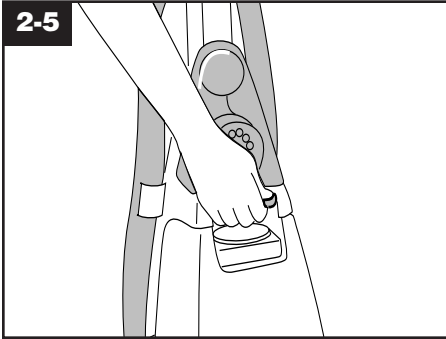
Indicator will show a green window next to TOOL (D) when handle is in the upright position for tool use on stairs upholstery etc.

carpet cleaner **automatically diverts suction from FLOOR to TOOL** when handle is raised from the operating to the upright position.

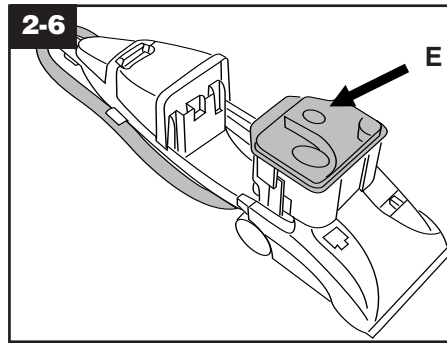


To transport

To move your carpet cleaner from room to room put handle in upright and locked position tilt carpet cleaner back on wheels and push forward.



The carpet cleaner may also be lifted by placing a hand under the upper clean solution tank handle as shown.



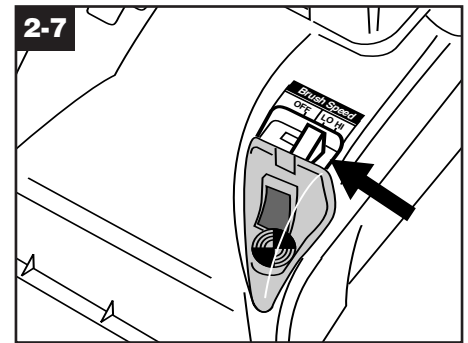
Automatic “shut off”

When the recovery tank (lower tank) is full the automatic shutoff mechanism will shut off the carpet cleaner suction (**suction will be noticeably reduced**).

At that time the red float disk will rise to the top of the recovery tank lid (E). The carpet cleaner will no longer pick up dirty solution and the **motor sound will become noticeably higher in pitch**.

When this happens turn carpet cleaner off and empty recovery tank before continuing use.

Check clean solution tank also; it may need to be refilled.



Brush speed selector

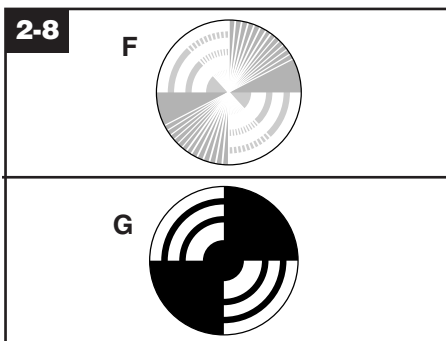
Your SteamVac™ carpet cleaner has three agitator brush settings.

HI - for normal cleaning of carpet and bare floors

LO - for gentle cleaning of carpets and bare floors

OFF - for cleaning carpets and bare floors when brushing is not desired. (Such as when picking up liquid spills. See page 10.)

Slide selector button to the desired setting before cleaning.



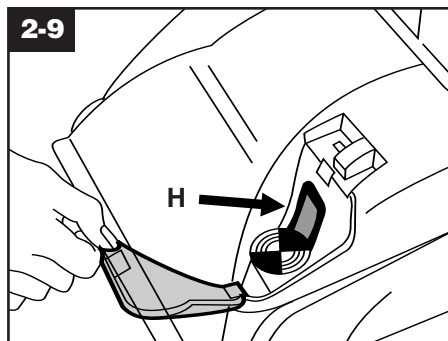
Brush indicator

The brush indicator will spin (F) when the carpet cleaner is turned ON and the brushes are rotating.

If the indicator does not spin and the pattern is visible (G) when the carpet cleaner is turned ON, the brushes are not rotating.

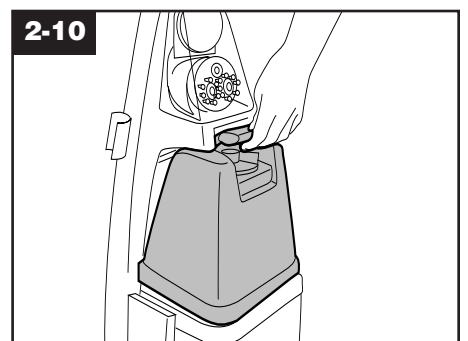
There are three reasons why the brushes may not be rotating:

1. Brush speed selector set on OFF (see previous section).
2. Handle in upright position (see “Cleaning mode indicator,” Fig. 2-3).
3. Brush indicator screen dirty.



To clean screen (H), **turn carpet cleaner off and disconnect from electrical outlet.**

Remove clear cover and wipe off screen with a damp cloth. Snap cover back into position.



The tanks

Clean solution tank (upper tank)

The clean solution tank holds the cleaning solution that is to be dispersed onto the surface to be cleaned.

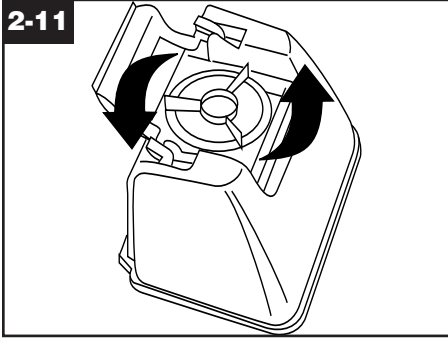
How to fill

Disconnect carpet cleaner from electrical outlet.

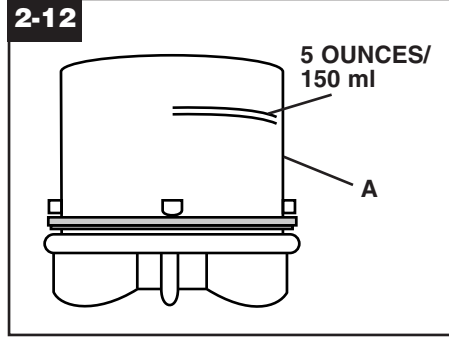
Place carpet cleaner handle in the upright, locked position.

To remove tank, press down on handle and pull forward.

Carry tank to a sink.



Rotate tank cap counterclockwise and lift up to remove cap.



Turn cap (A) upside down to serve as a measuring cup.

Using cap, measure detergent following the chart below.

For carpet, carpeted stairs and upholstery:

Fill cap to **fill line** (5 ounces) with HOOVER Carpet/Upholstery Detergent.

For bare floors:

Fill cap to **fill line** (5 ounces) with HOOVER Hard Floor Cleaning Solution*.

Do not use Hard Floor Cleaning Solution on carpet or upholstery. **Do not use any type of wax with your SteamVac™ deep cleaner.**

NOTE: Use only HOOVER detergents.

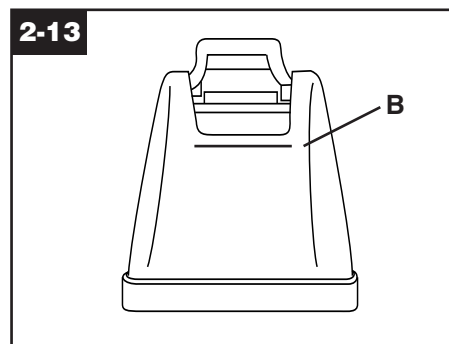
They are specially formulated for use with your SteamVac™ carpet cleaner.

*Available at additional cost if not included with your model.

For heavy traffic areas:
Pre-treat with HOOVER Spot & StainSpray Cleaner*.

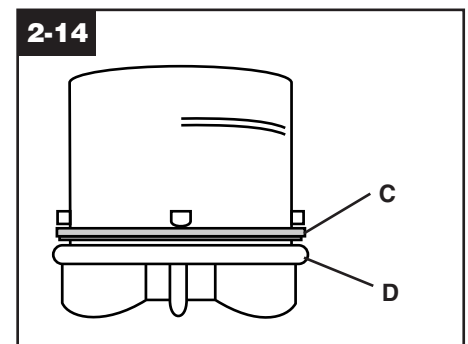
If you do not have access to the Spot & Stain Spray Cleaner, double the amount of HOOVER Detergent (use 2 capfuls or 10 ounces per 1 gallon tank).

CAUTION: Detergents contain Anionic and Nonionic Surfactants. Avoid contact with eyes and skin. In case of contact with eyes, flush with cold water for 15 minutes. In case of contact with skin, wash with water. If irritation persists, call a physician.

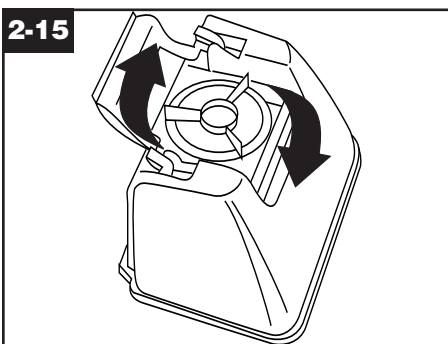


Pour detergent into tank. Fill tank to fill line (B) (1 gallon) with hot tap water.

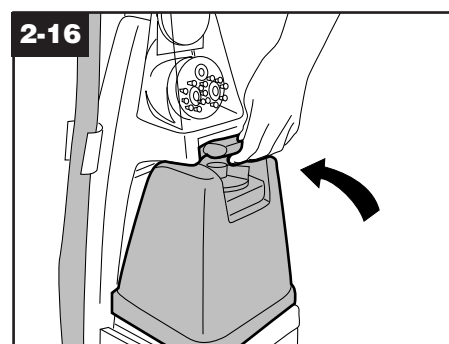
To assure proper performance, **use only HOOVER cleaning detergent.**



If rubber ring (C) on cap has become dislodged, reposition it with uneven side against ledge (D) as shown.



Replace cap. **Rotate cap clockwise until it locks in place. Cap must be locked in place for proper performance and to prevent leaking.**



Position bottom of tank into unit and press on tank handle to snap tank into place.

Recovery tank (lower tank)

The recovery tank holds the dirty solution that is picked up from the carpet.

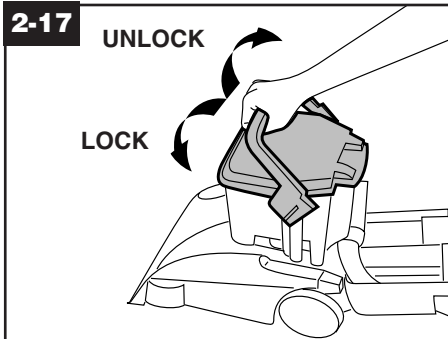
When the recovery tank is full, the automatic shut-off will engage (see Fig. 2-6) and the tank must be emptied.

How to empty

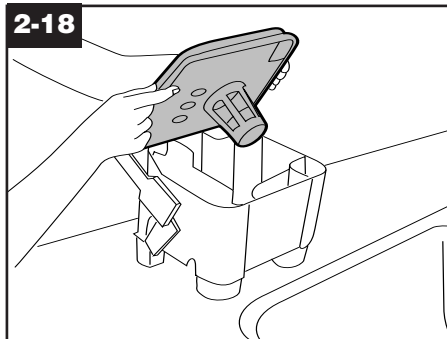
Turn carpet cleaner off and disconnect from electrical outlet.

To prevent possible leaking, remove clean solution tank (Fig. 2-10) by pressing down on tank handle and pulling forward; set tank aside (**do not set tank on furniture**).

Step on handle release pedal (Fig. 2-2) and lower handle until it rests on the floor.



Raise handle to carrying position (straight up) to **unlock tank** from base of carpet cleaner. Lift tank from carpet cleaner and carry it to a sink or drain.



To remove tank lid, lower handle completely toward back of tank and lift off lid.

Empty the tank and reposition the lid.

For full suction, it is important that the recovery tank lid is properly secured before cleaning.

Raise tank handle to carrying position to place it into base of cleaner. Move handle completely forward to **lock tank** into place (see Fig. 2-17).

Raise handle of carpet cleaner to upright position and reposition upper clean solution tank.

3. How to clean

Before you begin cleaning

a. Vacuum thoroughly - For carpet, use a vacuum cleaner with an agitator for best results. Vacuum upholstery with a vacuum cleaner with cleaning tool attachments. Use a crevice tool to reach into tufts and folds. **Do not use the SteamVac™ carpet cleaner as a dry vacuum cleaner.**

b. For upholstery, check cleaning code - Use your HOOVER SteamVac™ carpet cleaner only if the upholstery fabric is marked with a "W" (for "wet" clean) or "S/W" (for "solvent/dry" or "wet" clean). **Do not clean fabric marked "S" ("solvent/dry" clean only).** If your upholstery does not have a code, seek professional assistance.

c. Test for colorfastness - Mix detergent and water according to the instructions under "Fill clean solution tank", Figs. 2-8 to 2-16.

Wet a white absorbent cloth with the solution. In a small, hidden area, gently rub the surface with the dampened cloth. Wait ten minutes and check for color removal or bleed with white paper towel or cloth. If surface has more than one color, check all colors.

d. When cleaning entire floor, move furniture out of area to be cleaned (may not be necessary if only high traffic areas are to be cleaned). For furniture too heavy to move, place aluminum foil or wax paper under legs. This will prevent wood finishes from staining carpet. Pin up furniture skirts and draperies.

e. Pretreat spots and heavy traffic areas with HOOVER® Spot & Stain Spray Cleaner*- Test Spot & Stain Spray Cleaner for colorfastness by first spraying it on a hidden area; wait ten minutes and blot with white paper towels or cloth. If no color change is visible, spray Spot & Stain Spray Cleaner onto spots and traffic areas. Wait at least ten minutes. Use your SteamVac™ carpet cleaner to pick up Spot & Stain Spray Cleaner and spot. Repeat until spot is removed; carefully scrub with a household scrub brush if necessary.

Do not saturate carpet or upholstery with PreCleaner.

If you do not have access to the Spot & Stain Spray Cleaner, double the amount of HOOVER Detergent (use 2 capfuls or 10 oz. per 1 gallon) in the clean solution tank.

No cleaning solution removes all stains from all carpets. Stain removal varies with the type of spill, time elapsed before removal, carpet material, and carpet type.

f. To prevent staining, use plastic or aluminum foil to protect wood or metal surfaces from possible water spray.

g. To avoid wetting and possible damage to wood floors underneath area rugs/carpet, either move area rugs/ carpet to a non-wood bare floor surface or place waterproof material (e.g. plastic) underneath them before cleaning.

See pages 10-13 for instructions on various cleaning tasks.

*Available at additional cost if not included with your model.

After cleaning

a. Allow carpet or upholstery to dry. To help prevent matting and resoiling the carpet, keep children and pets away from surface until it is **completely dry. If it is necessary to walk on damp carpet,** place towels or white cloths on the traffic areas.

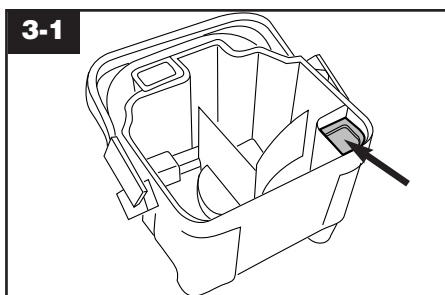
If furniture must be replaced before the carpet is dry, use plastic or aluminum foil pads under legs of furniture so metal slides or wood finishes will not stain the carpet.

b. If desired, the carpet may be rinsed. **Rinsing is not necessary for cleaning,** but it may improve the surface's appearance after it is dry.

If rinsing is desired, be careful not to over-wet the carpet or upholstery.

Allow time for carpet or upholstery to dry completely between cleaning and rinsing. To rinse, follow the same procedure for cleaning only using hot tap water with no detergent in the upper clean solution tank.

c. Empty tanks, rinse with clear water and let air dry. Rinse the solution tank cap and recovery tank lid and let air dry.



d. Remove lint from filter screen located inside recovery tank.

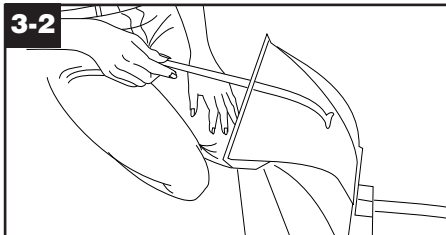
e. If desired, vacuum thoroughly after carpet has completely dried. This will help reduce any shading left by the carpet cleaner's brushes.

To clean nozzle

If lint or other debris becomes lodged in **nozzle, do not attempt to remove nozzle cover.**

Pour one to two cups of clear water on a non-carpeted floor. **Do not pour water onto a wood floor.**

Pick up water with your SteamVac™ carpet cleaner. Repeat as necessary until debris is flushed out of nozzle.



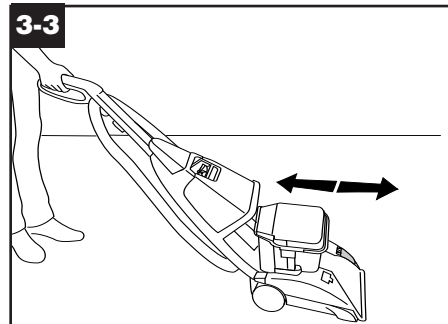
Some models have a nozzle clean-out tool for removing debris or if a non-carpeted floor is not available. To use the tool: **Disconnect carpet cleaner from electrical outlet.** Slide tool into nozzle and remove debris as shown.

To clean the outside of the machine, wipe off dirt with a cloth dampened in warm water and mild detergent. **Do not use solvent or petroleum based products to clean the machine.**

Carpet Cleaning

Read “Before you begin cleaning” instructions on page 9.

1. Fill clean solution tank (upper tank) with HOOVER Carpet/Upholstery Detergent according to instructions for Figs. 2-10 to 2-16
2. Move speed selector to LO for gentle cleaning or HI for normal cleaning.
3. Dry hands and plug cord into a **properly grounded outlet.** **Do not clean over floor electrical outlets.**
4. To avoid walking on damp carpet, start at the end of the room farthest from the door or path to sink where tanks will be emptied and filled .
Step on handle release pedal and lower handle to operating position; turn carpet cleaner ON.



5. Squeeze trigger to release cleaning solution and **slowly** push carpet cleaner forward (equals one wet stroke).
6. Continue to squeeze trigger and **slowly** pull carpet cleaner back toward you (second wet stroke). Release trigger and slowly push carpet cleaner forward over area just sprayed with solution (dry stroke). Then **slowly** pull carpet cleaner back toward you without squeezing trigger (dry stroke).
7. Overlap strokes by 1 inch to help prevent streaking. Keep nozzle flat on floor for both forward and reverse strokes.

For heavily soiled areas, repeat steps 5-7.

8. To avoid saturating carpet, do not use more than 4 wet strokes over one area. Always end with dry strokes.

It is best to alternate wet and dry strokes as described above.

For best cleaning results and to aid in faster drying of carpet, end with more dry strokes. (Continue using dry strokes until little water is visible passing through the recovery tank lid.) Empty recovery tank when the motor sound becomes higher pitched and there is a loss in suction (see “Automatic shut-off”, Fig 2-6)

When finished cleaning, follow “After cleaning” instructions on pages 9-10.

Picking up spills

Your HOOVER SteamVac™ carpet cleaner may also be used to pick up **small liquid spills (1 gallon or less, never to exceed 1/4 inch in depth)** on carpet, upholstery, or bare floors.

For best results, pick up spills immediately by placing the stair/upholstery nozzle just above the spill and suction up any residue on top of the carpet. If the spill remains, place either the stair/upholstery nozzle or floor nozzle *with brushes turned OFF* in front of the spill, pull the nozzle very slowly over the spill initially with suction only. Repeat with spray and suction.

When picking up spills on bare floors, use only the floor nozzle with the bare floor attachment in place and speed selector in the OFF position (this will help prevent spreading the spill).

If a spot is left, the stair/upholstery nozzle is generally more effective for removing it. Although no cleaning solution can completely remove all spots, they can be treated by following the instructions provided by the manufacturer of the carpet, upholstery, or bare floor surface being cleaned.

Do not use the SteamVac™ carpet cleaner to pick up flammable or combustible liquids or chemicals.

When finished, follow “After cleaning” instructions on pages 9-10.

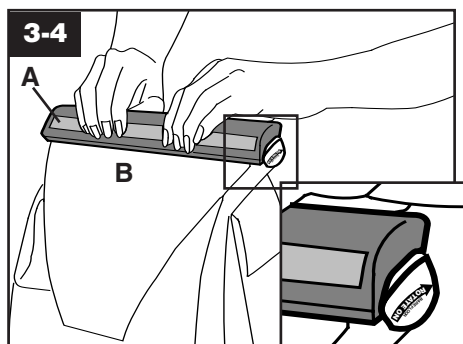
Cleaning bare floors

How to attach bare floor attachment

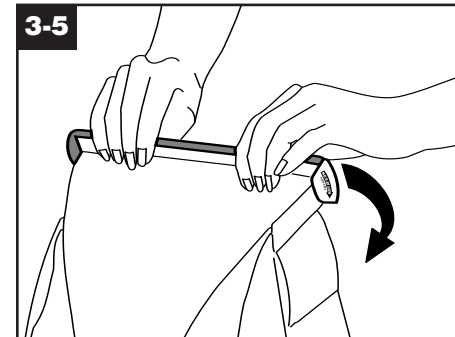
Disconnect carpet cleaner from electrical outlet.

To prevent possible leaking, remove clean solution tank (Fig. 2-10) and recovery tank (Fig 2-17) before positioning bare floor attachment. Set tanks aside (do not set tank on furniture).

1. With handle in upright position, tilt cleaner back so that handle rests on the floor.



2. With foam strip (A) (located under the netting) in position as shown, place attachment on front of nozzle (B). Make sure arrow on end of attachment points in the direction as shown.



3. Push attachment against nozzle while rotating attachment downward until both ends snap into place.

(Note: Some force may be required to rotate and snap attachment into place.)

4. Return carpet cleaner to upright position. Lower handle and replace recovery tank.

5. Raise handle to upright position and reposition clean solution tank.

To clean floor

Read Before you begin cleaning instructions on page 9.

Do not use the SteamVac™ carpet cleaner on hardwood floors.

1. Fill clean solution tank with HOOVER Hard Floor Cleaning Solution (available at additional cost if not included with your model) according to instructions for Figs. 2-10 to 2-16.

Do not use any type of wax with your SteamVac™ carpet cleaner.

2. **Move speed selector to the Lo or HI position for scrubbing or OFF if scrubbing is not desired.**

3. Dry hands and **plug carpet cleaner into a properly grounded outlet.**

4. Step on handle release pedal and lower handle to operating position; turn carpet cleaner ON.

5. To release solution, press trigger. Slowly move carpet cleaner forward and backward over area to be cleaned.

6. To pick up dirty solution, release trigger and slowly move carpet cleaner over area where solution has just been dispersed. Use both forward and reverse strokes.

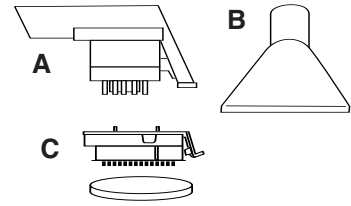
7. Empty recovery tank when the motor sound becomes higher pitched and there is a loss in suction (see "Automatic shut-off", Fig 2-6)

8. When finished cleaning, follow "After cleaning" instructions on pages 9-10.

Disconnect carpet cleaner from electrical outlet and remove attachment from nozzle. Rinse it in clear water. Do not remove plastic screen or foam from attachment.

Using the tools

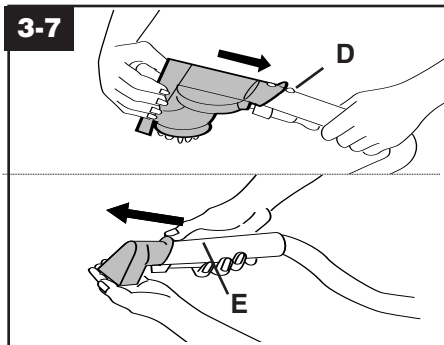
3-6



A. Powered hand tool has rotating brushes for extra scrubbing action on small carpet areas, carpeted stairs and upholstery. Brushes can be removed for converting to the scrub module.

B. Stair/upholstery nozzle has a built-in brush to help provide the scrubbing action some spots may need for removal.

C. Scrub module with detachable scrub pad attaches to the base of the powered hand tool (in place of brush module). Can be used to scrub stubborn areas such as scuff marks, dried spills, and in hard to reach areas on hard surfaces.



How to attach tools

Disconnect carpet cleaner from electrical outlet.

1. Place handle in upright position and remove hose from rack.

All tools attach to the hose in the same manner:

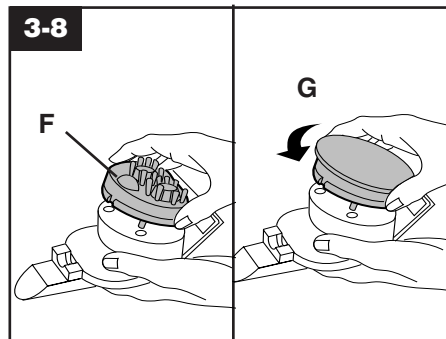
2. Connect tool to hose by sliding it onto connector until the tab (D) locks it securely.

Using your thumb, **push forward and up** on the **latch (E)** to remove tool as shown.

Before using tool

It may be necessary to remove air from the system ("prime the pump") so the clean solution will flow to the tool. Follow these steps:

1. Attach tool to hose and turn the carpet cleaner ON.
2. Put the tool on a hard surface or



against your hand to block off the suction.

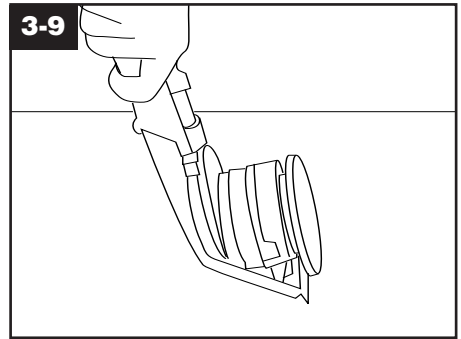
3. Wait a few seconds (can take up to 15 seconds). Then squeeze the trigger and begin cleaning.

Follow the instructions on pages 12-13 for the appropriate cleaning task.

Attaching scrub module

1. Open the tool door and remove the powered hand tool.
2. Grasp the sides of the brush module and lift it from the base (F).
3. Pull scrub module from carpet cleaner and snap it onto the base.

Note: It may be necessary to rotate the scrub module (G) slightly so it will align properly to the base.



Using the scrub tool

With a little solution, test the scrub tool on a hidden area before using on the desired surface. If no surface change is visible, continue to use as described below.

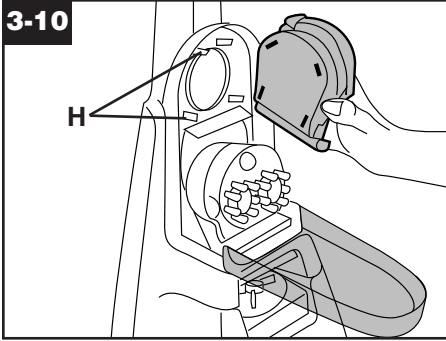
FOR LARGE AREAS

1. Fill clean solution tank with HOOVER Hard Floor Cleaning Solution* according to instructions for Figs. 2-10 to 2-16.
2. Hold scrub tool above area to be cleaned and press trigger to dispense solution.
3. Release trigger and scrub area with tool. Pick up dirty solution with squeegee as shown.

FOR SPOT CLEANING

1. Apply Hard Floor Cleaning Solution* with the spray bottle.
2. Scrub area with tool. Pick up dirty solution with squeegee as shown.

*included with some models



After using scrub tool

To clean scrub pad, pull it off module. Wash it in water with mild detergent. Rinse and let air dry.

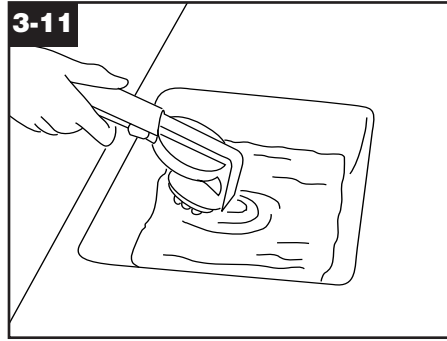
Pad must be completely dry before reattaching to module and storing on carpet cleaner.

Replacement pads may also be purchased. Ask for **HOOVER part no. 40308001.**

To store scrub module, remove scrub module from tool in same manner as removing the brush module.

Align openings on back of module with tabs in storage area (H).

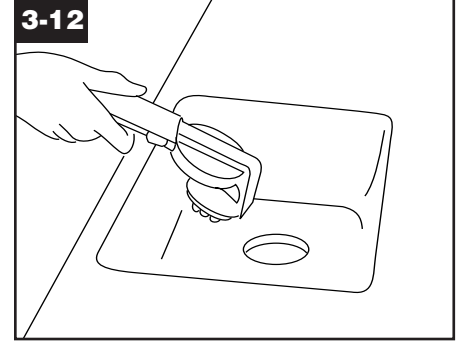
Push module into position.



After using tool

1. Follow steps a and b for "After cleaning" on page 9.

2. Rinse tool and hose by filling sink with a small amount of water. Turn carpet cleaner ON and pickup the water with the tool.



3. Drain hose by turning carpet cleaner ON and holding end of hose up for several seconds. Do not press trigger.

4. Disconnect carpet cleaner from electrical outlet.

5. Drain solution tube (located inside hose) by pointing end of hose in sink and pressing trigger.

6. Proceed with steps c, d, and e, for "After cleaning" on page 9.

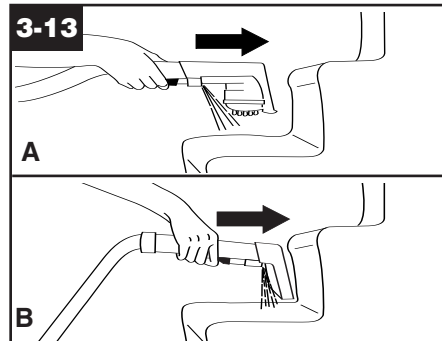
Cleaning carpeted stairs

Read "Before you begin cleaning" Instructions on page 9.

1. Place handle in upright position. **Agitator brushes will not rotate while handle is in upright position.**
2. Fill clean solution tank with HOOVER Carpet/Upholstery Detergent according to instructions for Figs. 2-10 to 2-16.
3. Attach tool to end of hose.
4. Hose length may require that machine be placed at the top of the stairs to clean upper half of stairway and at bottom of stairs to clean lower half.

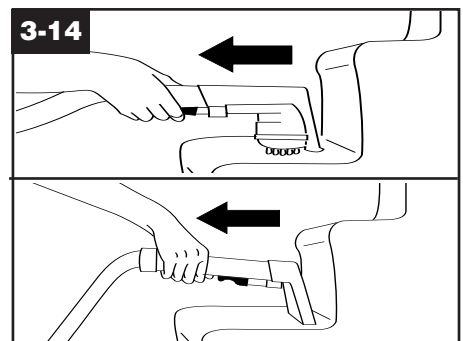
To prevent machine from falling, use extra caution when cleaning on stairs. Do not place carpet cleaner on stairs. Do not point tools toward people or pets.

5. Dry hands and plug carpet cleaner into a **properly grounded outlet.**
6. Turn carpet cleaner ON. If necessary, refer to "Before using tool" section to remove air from the system.



7. Pre-spray the carpeted stair by holding the tool (A) or (B) about one inch above the carpet and push it forward while pressing the trigger (equals one wet stroke).

8. Position tool against the riser and slightly press it into carpet pile. Press the trigger and pull the tool **slowly** over the carpet (second wet stroke). Release trigger at end of stroke.



9. Lift tool, and position it against riser. Pull tool **slowly** over carpet without pressing trigger (dry stroke).

It is best to alternate wet and dry strokes as described above. End with more dry strokes to aid in faster drying of carpet.

10. Overlap strokes by 1/2 inch to help prevent streaking.

To avoid saturating carpet, do not use more than 4 wet strokes over any one area. Always end with dry strokes.

If additional cleaning is necessary, wait until the carpet is completely dry before using the tool again.

11. Empty recovery tank when the motor sound becomes higher pitched and there is a loss in suction (see "Automatic shut-off", Fig. 2-6)

When finished cleaning, follow "After cleaning" instructions on page 9 and "After using tool" instructions on page 12.

Cleaning upholstery

Read “Before you begin cleaning” Instructions on page 9.

Be sure to check the cleaning code on your upholstery. Use your HOOVER SteamVac™ carpet cleaner only on upholstery marked “W” or “W/S”.

1. Place handle in upright position.

Agitator brushes will not rotate while handle is in upright position.

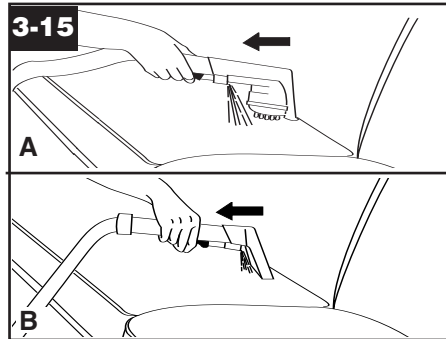
2. Fill clean solution tank with HOOVER Carpet/Upholstery Detergent according to instructions for Figs. 2-10 to 2-16.

3. Attach tool to end of hose.

Do not point tools toward people or pets.

4. Dry hands and plug carpet cleaner into a **properly grounded outlet**.

5. Turn carpet cleaner ON. If necessary, refer to “Before using tool” section to remove air from the system.



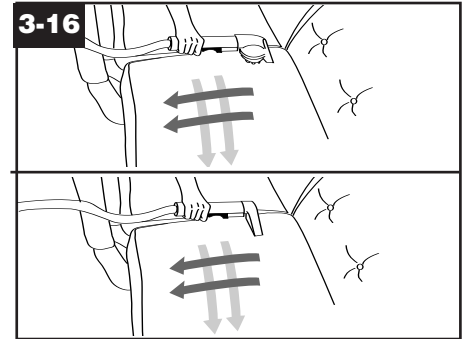
6. Gently press the tool (A) or (B) onto the fabric. Press the trigger and slowly pull the nozzle over the fabric.

7. Overlap strokes by 1/2 inch to help prevent streaking.

Make additional strokes without pressing the trigger to remove more moisture.

8. To clean in corners or creases, lift the tool one-half inch from the fabric and press the solution trigger.

9. Vacuum up the solution with the tool without pressing the trigger.



10. For heavily soiled areas, it may be necessary to repeat the cleaning process. Make crisscrossing strokes to the original pattern; overlap each pass.

Make no more than 2 passes with the solution over any one area to prevent over-wetting and damage to fabric.

If additional cleaning is necessary, wait until the upholstery is completely dry before using the tool again.

11. Empty recovery tank when the motor sound becomes higher pitched and there is a loss in suction (see “Automatic shut-off”, Fig. 2-6).

When finished cleaning, follow “After cleaning” instructions on page 9 and “After using tool” instructions on page 12.

4. Maintenance

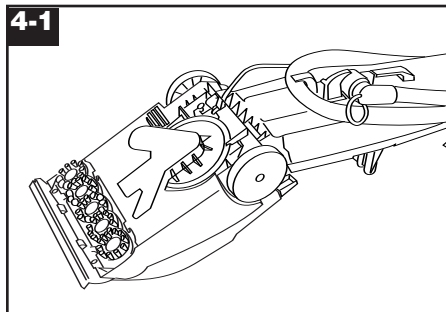
Removable brushes

Your carpet cleaner is equipped with removable brushes for easy cleaning.

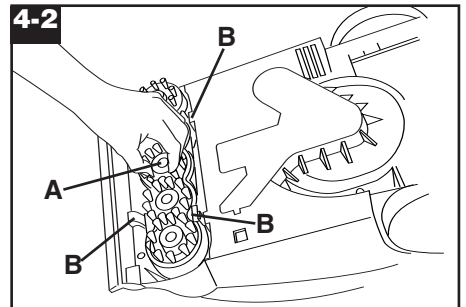
To remove brushes

Disconnect cleaner from electrical outlet.

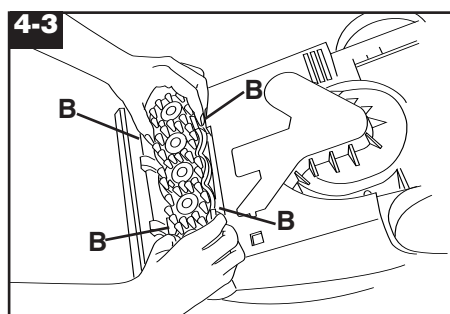
To prevent possible leaking, remove clean solution tank and recovery tank. Set tanks aside.



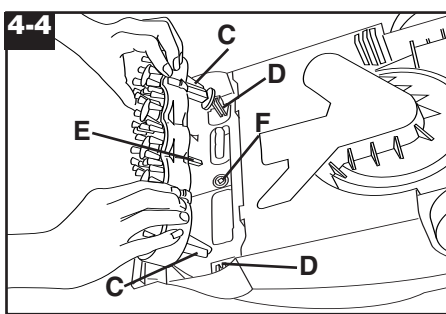
Press handle release pedal to lower handle. Turn cleaner over so bottom is facing up.



Grasp inner portion of brush (A) and pull brush assembly out slightly to reveal latches (B).



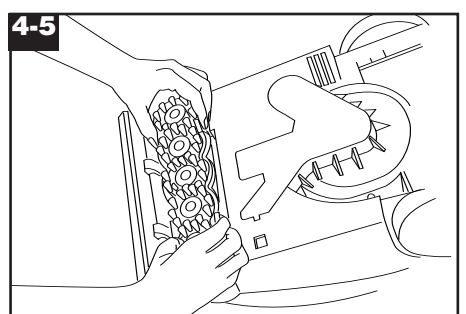
Press all four latches (B) and pull brush block out. The brushes can be cleaned under running water.



To replace brushes

Align posts (C) on both ends of brush assembly with slots (D) in cleaner housing.

Make sure that square post (E) also aligns with square hole (F). Turn brushes slightly until post fits easily into hole.



Press brush assembly firmly to snap into place.

Storage

Before storing:

- Empty solution tank and rinse thoroughly with clean water.
- Replace **empty** solution tank and turn carpet cleaner ON. Squeeze trigger and push carpet cleaner forward and back several times to expel any solution remaining in the carpet cleaner's system. (Do not use carpet cleaner on wood floors.)
- Empty recovery tank and rinse thoroughly with clean water.

Allow brushes and underside of carpet cleaner to air dry thoroughly before storing carpet cleaner on a carpeted or wood surface.

Do not store carpet cleaner with a full solution tank in place.

Lubrication

The motor is equipped with bearings which contain sufficient lubrication for the life of the motor. The addition of lubricant could cause damage. **Do not add lubricant to motor bearings.**

Service

To obtain approved HOOVER service and genuine HOOVER parts, locate the nearest **Hoover Sales and Service Center or Authorized Hoover Warranty Service Dealer (Depot)** by:

- checking the Yellow Pages under Vacuum Cleaners - Household" OR
- checking the list of Sales and Service Centers provided with this cleaner OR -
- calling **1-800-944-9200** for an automated referral of authorized service outlet locations (U.S. only) OR-
- checking the Service section of Hoover on-line at **www.hoover.com**

Do not send your cleaner to Hoover in North Canton, Ohio for service, this will only result in delay.

If further assistance is needed, contact the Hoover Consumer Response Center, Phone: 330-499-9499.

In Canada, contact Hoover Canada, Burlington, Ontario L7R 4A8, Phone: 1-800-263-6376.

Always identify your cleaner by the **complete** model number when requesting information or ordering parts. (The model number appears on the back of the handle.)

5. If you have a problem

If a minor problem occurs, it usually can be solved quite easily when the cause is found by using the check list below.

Problem: Machine won't run

Possible cause

Possible solution

- **Not firmly plugged in**
- *Plug unit in firmly*
- **No voltage in wall plug**
- *Check fuse or breaker*
- **Blown fuse/tripped breaker**
- *Replace fuse/reset breaker*

Problem: Low suction

Possible cause

Possible solution

- **Recovery tank full/automatic shut off engaged**
- *Remove and empty recovery tank*
- **Blockage in tool on end of hose**
- *Remove tool and clear blockage*
- **Recovery tank lid not on correctly**
- *Make sure lid is on securely*

Problem: Clean solution won't dispense

Possible cause

Possible solution

- **Solution tank not firmly in place**
- *Make sure tank is securely locked in position*
- **Solution tank empty**
- *Refill tank according to instructions for surface being cleaned*
- **Recovery tank lid not on correctly**
- *Make sure lid is firmly in place*
- **Pump needs to be "primed" (when using tool)**
- *See "Before using tool" section, p. 11*

Problem: Brushes/brush indicator won't rotate during floor cleaning

Possible cause

Possible solution

- **Indicator screen dirty**
- *Remove clear cover over indicator and clean screen; replace cover*
- **Speed selector on OFF**
- *Move speed selector to Low or Hi*

Full One Year Warranty (Domestic Use)

Your HOOVER® appliance is warranted in normal household use, in accordance with the Owner's Manual against original defects in material and workmanship for a period of one full year from date of purchase. This warranty provides, at no cost to you, all labor and parts to place this appliance in correct operating condition during the warranted period. This warranty applies when the appliance is purchased in the United States including its territories and possessions, or in Canada or from a U. S. Military Exchange. Appliances purchased elsewhere are covered by a limited one year warranty which covers the cost of parts only. This warranty does not apply if the appliance is used in a commercial or rental application.

This warranty only applies when the product is in use in the country or territory in which it is purchased.

Warranty service can only be obtained by presenting the appliance to one of the following authorized warranty service outlets. Proof of purchase will be required before service is rendered.

1. Hoover Sales and Service Centers.
2. Hoover Authorized Warranty Service Dealers (Depots).

For an automated referral of authorized service outlets in the U.S.A., phone 1-800-944-9200 OR visit Hoover on-line at www.hoover.com

This warranty does not cover pick up delivery, or house calls; however, if you mail your appliance to a Hoover Sales and Service Center for warranty service, transportation will be paid one way.

While this warranty gives you specific legal rights, you may also have other rights which vary from state to state.

If further assistance is needed, or if there are questions concerning this warranty or the availability of warranty service outlets, phone the Consumer Response Center, Phone 1-330-499-9499.

In Canada, contact Hoover Canada, Burlington, Ontario L7R 4A8, 1-800-263-6376.

HOOVER®

Steam Vac™ LS

Fácil de usar

Limpiadora para alfombras
con conversión automática
de accesorios

**Le agradecemos que haya
seleccionado un producto
HOOVER®.**

Este aparato ha sido inspeccionado y embalado con todo cuidado antes de salir de la fábrica. Si necesita ayuda durante el ensamblado o la operación, llame al:

1-800-944-9200 para una referencia automatizada de las ubicaciones de los sitios autorizados para servicio de productos (únicamente en Estados Unidos) o al

1-330-499-9499 para hablar con un representante en nuestro Centro de Respuesta al Cliente.

**NO DEVUELVA ESTE PRODUCTO
A LA TIENDA**

Manual del propietario

ESPAÑOL → pp. 15-24

**Lea este manual antes de
hacer funcionar la aspiradora.**

Índice

| | |
|---|-------|
| Salvaguardias importantes | 15 |
| Para desempacar la limpiadora para alfombras .. | 16 |
| Para ensamblar la limpiadora para alfombras .. | 16 |
| Descripción de la limpiadora para alfombras .. | 17 |
| Funcionamiento general | 17-19 |
| Para llenar el tanque para la solución limpiadora | 18 |
| Para vaciar el tanque de recuperación .. | 18-19 |
| Selector de la velocidad del agitador | 18 |
| Indicador de escobilla | 18 |
| Uso | |
| Antes de empezar | 19 |
| Después de haberla usado | 19 |
| Limpieza de alfombras | 20 |
| Para recoger derrames | 20 |
| Limpieza de pisos expuestos | 20 |
| Uso de los accesorios | 21 |
| Limpieza de escaleras alfombradas..... | 22 |
| Limpieza de tapicería | 22 |
| Si tiene un problema | 23 |
| Lubricación | 23 |
| Servicio | 23 |
| Almacenamiento | 23 |
| Garantía | 24 |
| Formulario de pedido de piezas y accesorios por correo | 37 |



© 2006 The Hoover Company

Anote y guarde

El número de modelo y el de serie se encuentran en la parte inferior de la aspiradora.

Para sus archivos personales, anote los números COMPLETOS de modelo y serie en los espacios provistos y conserve esta información.

El modelo de su aspiradora es _____

y el número de serie es _____

Le sugerimos que adjunte su recibo de compra a este manual del propietario ya que para obtener el servicio de garantía de su producto HOOVER puede requerirse la verificación de la fecha de compra.

¡Salvaguardias importantes!

Al usar un aparato eléctrico observe siempre las precauciones básicas, incluyendo las siguientes:

LEA TODAS LAS INSTRUCCIONES ANTES DE USAR ESTE APARATO

**Advertencia: Para reducir el riesgo de incendios,
choques eléctricos o lesiones:**

- Use sólo en el interior.
- Use solamente en superficies humedecidas por el proceso de limpieza o para derrames pequeños. No sumerja el producto.
- Conéctelo solamente a una toma de corriente eléctrica con adecuada conexión a tierra. **Vea las instrucciones para conexión a tierra.**
- No limpie sobre tomas de corriente eléctricas que estén en los pisos.
- No lo use sin que los tanques estén en su lugar.
- Tenga especial cuidado al limpiar escaleras. No coloque la limpiadora para alfombras sobre los escalones.
- Use la limpiadora para alfombras solamente para lo que ha sido diseñada según se describe en las instrucciones.
- Use solamente los accesorios recomendados por Hoover; el uso de otros accesorios puede ser peligroso.
- No se recomienda el uso de cordones de extensión. Si se requiere un cordón de extensión, use uno de por lo menos 3 alambres, calibre 16 que tenga un enchufe de tres espigas con conexión a tierra y un receptáculo de tres polos que sirva para el enchufe de la máquina.
- Desenchufe la limpiadora para alfombras cuando no esté en uso. Antes de desconectarla, apague todos los controles.
- Desenchufe la antes de conectar la herramienta manual que tiene energía.
- Desconecte siempre el cordón de la toma de corriente eléctrica antes de prestar servicio al aparato.
- No desenchufe el aparato tirando del cordón. Para desenchufar sujete el enchufe y no jale el cordón.
- Nunca toque el enchufe ni el artefacto con las manos mojadas.
- No tire del cordón, no lo jale, ni tampoco lo use como mango, no cierre la puerta sobre el cordón ni tire del mismo alrededor de los cantos agudos ni esquinas. No pase el artefacto sobre el cordón. Mantenga el cordón alejado de las superficies calientes.
- No use el aparato si el cordón o el enchufe está dañado. Si el artefacto no está funcionando apropiadamente, se ha dejado caer, ha sido dañado, dejado a la intemperie, o se ha dejado caer en agua, llévelo a un Centro de ventas y de servicio de Hoover o a un Concesionario autorizado de servicio bajo garantía de Hoover.
- Es necesaria una supervisión estricta cuando cualquier artefacto es utilizado por o cerca de niños. No permita que la limpiadora para alfombras sea usada como un juguete ni que funcione sin atención en ningún momento.
- No apunte los accesorios hacia personas o animales.
- Use solamente los limpiadores para piso disponibles en el comercio y que se hayan diseñado para ser aplicados con máquinas. No use ningún tipo de cera con la limpiadora para alfombras.
- Para ayudar a disminuir el tiempo de secado, asegúrese que el área esté bien ventilada cuando use detergentes y otros limpiadores con esta máquina.
- Mantenga los detergentes y otros limpiadores fuera del alcance de los niños.
- No recoja líquidos inflamables o combustibles tales como gasolina ni use en áreas donde puedan estar presentes.
- No lo use para recoger lejía, líquidos para destupir, gasolina ni ningún otro material tóxico.
- No recoja nada que se esté quemando o echando humo, como cigarrillos, cerillos o cenizas calientes.
- Evite recoger objetos duros o afilados con el aparato. Pueden dañar la máquina.
- Mantenga el cabello, ropa holgada, dedos de las manos y pies y todas las partes del cuerpo alejadas de los orificios y piezas en movimiento.
- No coloque ningún objeto en los orificios. No lo use con ningún orificio bloqueado; manténgalo libre de polvo, pelusa, cabello o cualquier cosa que pueda reducir el flujo de aire.
- Evite el contacto con las alfombras hasta que estén secas para evitar que queden opacas y se vuelvan a ensuciar. Mantenga a los niños y a los animales alejados de las alfombras hasta que estén completamente secas.
- Guarde en un lugar seco. No exponga la máquina a temperaturas de congelación.

¡GUARDE ESTAS INSTRUCCIONES!

¿Tiene preguntas o preocupaciones?

La compañía Hoover desea resolver rápidamente toda preocupación con respecto a su máquina o preguntas respecto a su uso. Busque en la lista provista con el producto para hallar el **Centro de Servicio de Fábrica Hoover** o en las Páginas Amarillas bajo "Vacuum Cleaners - Household" ("Aspiradoras - Artículos del Hogar") para hallar el número del **Concesionario Autorizado de Servicio de Garantía de Hoover** (Depósito) más cercano o llame al:

1-800-944-9200 para una referencia automatizada de las ubicaciones de los centros autorizados de servicio (sólo en los EE.UU.).

O al

1-330-499-9499 para hablar con un representante en nuestro Centro de Respuesta al Cliente.

LE AGRADECEREMOS QUE NO DEVUELVA ESTE PRODUCTO A LA TIENDA NI QUE LO ENVÍE A NORTH CANTON PARA SERVICIO.

Use estas instrucciones en español junto con las figuras paso-a-paso provistas en el manual de inglés.

Instrucciones para conexión a tierra

Este artefacto debe tener conexión a tierra. Si llegara a funcionar mal o a descomponerse, la conexión a tierra da un camino de menor resistencia a la corriente eléctrica para reducir el riesgo de choque eléctrico. Este artefacto está equipado con un cordón que tiene un conductor (C) para conectar a tierra el equipo y un enchufe con conexión a tierra (A). El enchufe se debe conectar a una toma de corriente eléctrica adecuada (B) que esté instalada y conectada a tierra de acuerdo a los códigos y ordenanzas locales.

PELIGRO

La conexión inadecuada del conductor para conectar a tierra el equipo puede resultar en riesgo de choque eléctrico. Consulte con un electricista o personal de servicio calificado si tiene dudas sobre si la toma de corriente eléctrica está conectada a tierra adecuadamente. No modifique el enchufe que viene con el artefacto; si no encaja en la toma de corriente eléctrica haga que un electricista calificado instale una toma de corriente adecuada. Este artefacto debe usarse en un circuito con tensión nominal de 120 voltios y tiene un enchufe de conexión a tierra con el aspecto que se ilustra en el diagrama (A).

Si no se dispone de una toma de corriente adecuadamente conectada a tierra, se puede usar temporalmente un adaptador (D) para conectar este enchufe a un receptáculo (E) de dos polos. El adaptador temporal se debe usar solamente hasta que un electricista calificado pueda instalar una toma de corriente eléctrica adecuadamente conectada a tierra (B). La orejuela verde y rígida, el terminal o el dispositivo similar (F) que sale del adaptador se debe conectar a una conexión a tierra permanente (G), como ser la placa adecuadamente conectada a tierra de la toma de corriente eléctrica. Cuando se use el adaptador se debe fijar con un tornillo de metal. **NOTA:** El Código de electricidad de Canadá no permite el uso de adaptadores temporales.

1. Ensamblado Contenido de la caja

Saque la limpiadora para alfombras de la caja e identifique las piezas que se muestran. Saque y deseche el material de embalaje.

- A. Limpiadora para alfombras
- B. Mango superior con accesorio de mano turboaccionado y módulo de refregar
- C. Pernos (2)
- D. Tuercas (3 - se incluye una extra)
- E. Detergente para alfombras y tapicería
- F. Solución de limpieza para pisos de superficie dura (algunos modelos)
- G. Limpiador rociador para manchas (algunos modelos)
- H. Accesorio para pisos expuestos
- I. Soporte para la manguera
- J. Accesorio para limpieza de la boquilla (algunos modelos)

En la caja con la manguera viene lo siguiente:

- K. Manguera
- L. Boquilla para escaleras y tapicería
- M. Soporte para manguera y tornillo (pegado con cinta en el soporte debajo de la boquilla)

La limpiadora para alfombras ensamblada debe tener un aspecto semejante al del diagrama

Ensamble el mango

1-2

Instale el mango superior

Saque el tanque para la solución limpiadora (tanque superior) de la

limpiadora para alfombras.

1-3

Con el gancho para el cordón (A) orientado hacia atrás de la limpiadora para alfombras, empuje el mango superior hacia abajo dentro del mango inferior. Empuje los pernos en los orificios de la **parte delantera del mango. Si los pernos no atraviesan los orificios con facilidad se debe a que el mango no ha sido empujado completamente hacia abajo.**

1-4

Instale el gancho para la manguera

Coloque el soporte para la manguera (B) en el mango haciendo que las lengüetas en la rejilla coincidan con las aberturas de la parte posterior del mango. Cerciórese de que los orificios para los pernos estén alineados.

1-5

Coloque **las tuercas** en las depresiones que están en la **parte de atrás del soporte para la manguera**. Sostenga cada tuerca en su lugar, ajustando cada perno con un destornillador Phillips (desde la parte delantera del mango) cuando ajuste los pernos. Solamente se necesitan dos tuercas para este modelo. La tuerca extra no se necesita pero se ha suministrado para su comodidad.

1-6

Cuando las secciones del mango estén completamente unidas, apriete el gatillo (C) en la parte superior del mango para que la varilla del gatillo encaje en su lugar.

1-7

Reemplace el tanque para la solución limpiadora (tanque superior) colocando primero la parte inferior. Presione el asa del tanque para que la parte superior del tanque encaje en su lugar.

1-8

Presione el cordón en el enganche que está en la parte de atrás del mango. Jale el cordón para que quede tirante.

1-9

Instale el soporte para la accesorio

Saque del soporte el accesorio y los tornillos que están pegados con cinta. Introduzca las proyecciones del soporte en las ranuras que están en la parte de

atrás de la limpiadora.

1-10

Deslice el soporte hacia abajo para que quede en su lugar. Introduzca los tornillos en (D) y ajústelos con un destornillador Phillips.

1-11

Para guardar la manguera y los accesorios

Guarde la manguera en su soporte, colocándola primero en la parte delantera del mismo.

1-12

Siga enrollando la manguera bajo el gancho inferior (E). Encaje el extremo de la manguera **completamente** dentro del soporte (F). **Asegúrese de que el extremo de la manguera esté completamente insertado en el soporte (F).**

1-13

Coloque el accesorio en el portador de accesorios que está en la base de la limpiadora y encájelo en su lugar como se muestra con la flecha.

1-14

Deslice los accesorios para pisos expuestos dentro del portador de accesorios como se muestra.

1-15

Accesorio de mano turboaccionado

El accesorio de mano turboaccionado viene embalado en una bolsa de plástico para protegerlo. Abra primero la puerta de los accesorios para sacar la bolsa antes de usarlos.

1-16

Para sacar el accesorio de mano turboaccionado (G), jálelo hacia abajo y hacia afuera. Para volver a colocarlo, invierta el procedimiento.

Para sacar el módulo de refregar* (H), sosténgalo por los costados y jálelo hacia adelante.

Para volver a colocarlo, encaje las lengüetas en el área de almacenamiento en los orificios que se encuentran en la parte de atrás del módulo. Empuje el módulo para que encaje bien en su lugar. Este es el lugar de almacenamiento adecuado para este módulo.

1-17

Cómo volver a colocar la cubierta de accesorios

La cubierta de accesorios está diseñada para que se separe y quede suelta si se abre demasiado.

Para volver a colocarla, alinee las bisagras de la cubierta con los orificios en los costados del área de almacenamiento para los accesorios.

2.

Uso

Descripción de la limpiadora para alfombras

La limpiadora para alfombras ensamblada debe tener un aspecto semejante al del diagrama

1. **Asa del mango**
2. **Gatillo surtidor** se oprime para surtir la solución limpiadora.
3. **Enganche del cordón:** coloque el cordón en el enganche para que no estorbe cuando esté usando la limpiadora.
4. **Manguera**
5. **Soporte para la manguera:** enrolle la manguera alrededor del soporte y los ganchos (6) para guardarla.
6. **Ganchos para la manguera**
7. **Ganchos para el cordón:** enrolle el cordón en los ganchos para almacenarlo. El gancho superior se puede voltear a la derecha o izquierda para soltar el cordón en forma rápida y fácil.
8. **Módulo de refregar**
9. **Accesorio de mano turboaccionado**
10. **Asa para transportar**
11. **Asa del tanque para la solución limpiadora**
12. **Tapa del tanque** para la solución limpiadora/taza para medir.
13. **El tanque para la solución limpiadora:** contiene la solución limpiadora.
14. **Asa del tanque de recuperación:** levante el asa para destrabar el tanque y removerlo; baje el asa hacia adelante para fijar el tanque en posición.
15. **El tanque de recuperación:** guarda la solución usada.
16. **Cubierta**
17. **Selector de velocidad de las escobillas:** mueva el selector para escoger la velocidad de la escobilla a HI (alta), LO (baja) u OFF (apagada).
18. **Indicador de escobilla:** gira cuando las escobillas rotan.
19. **Boquilla**

20. Indicador del modo de limpieza: seleccione ya sea pisos o accesorios.

21. Pedal de encendido y apagado

22. Pedal para soltar el mango: pise el pedal para bajar el mango a la posición de operación (limpieza de pisos).

23. Boquilla para escaleras y tapicería
24. Accesorio para pisos expuestos

Esta limpiadora para alfombras está diseñada para uso en el hogar.

Haga funcionar la aspiradora para alfombras solamente al voltaje especificado en la placa con datos que está en la parte de atrás de la limpiadora. Enchufe la limpiadora para alfombras en una toma de corriente eléctrica con conexión a tierra adecuada.

2-2

Pedal de encendido y apagado y pedal para soltar el mango

Pise el pedal (A) para encender la limpiadora. Presione el pedal nuevamente para apagarla.

Pise el pedal (B) para bajar el mango a la posición de operación. El mango no se queda fijo en una sola posición sino que "flota" para permitir una operación cómoda.

2-3

Indicador del modo de limpieza

El indicador mostrará una ventanilla verde al lado de FLOOR (C) cuando el mango esté en la posición de operación para limpiar alfombras y pisos expuestos.

El indicador mostrará una ventanilla verde junto a TOOL (D) cuando el mango esté en la posición vertical para usar los accesorios en escaleras, tapicería, etcétera.

La limpiadora para alfombras **cambia automáticamente la succión de FLOOR (pisos) a TOOL (accesorio) cuando el mango se levanta de la posición de operación a la posición vertical.**

2-4

Para transportarla

Para mover su limpiadora para alfombras de una habitación a otra, coloque el mango en la posición vertical trabada, incline la limpiadora hacia atrás sobre las ruedas y empújela hacia adelante.

2-5

La limpiadora para alfombras también se puede levantar colocando una mano debajo del asa del tanque superior para la solución limpiadora como se muestra.

2-6

Apagado automático

Cuando el tanque de recuperación (tanque inferior) esté lleno, el mecanismo de apagado automático apagará la succión de la limpiadora para alfombras, **(la succión se reducirá en forma notable)**.

En ese momento el disco flotante rojo subirá a la parte superior de la tapa del tanque de recuperación (E). La limpiadora para alfombras ya no recogerá más la solución sucia y el **sonido del motor será notablemente más agudo**.

Cuando esto suceda, apague la limpiadora para alfombras y vacíe el tanque de recuperación antes de seguir usándola.

También inspeccione el tanque para la solución limpiadora; puede ser necesario volver a llenarlo.

2-7

Selector de velocidad de las escobillas

Su limpiadora para alfombras SteamVac™ tiene tres posiciones para el agitador de escobillas.

HI - para limpieza normal de alfombras y pisos expuestos

LO - para limpieza suave de alfombras y pisos expuestos

OFF - para limpieza de alfombras y pisos expuestos cuando no se desea cepillar. (Como cuando se están recogiendo derrames de líquidos. Vea la página 20).

Antes de limpiar, deslice el botón selector a la posición deseada.

2-8

Indicador de escobilla

El indicador de escobilla girará (F) cuando la limpiadora para alfombras esté encendida y las escobillas roten.

Si el indicador no gira y el patrón es visible (G) cuando la limpiadora para alfombras está encendida las escobillas no rotarán.

Existen tres motivos por los cuales las escobillas no giran:

1. El selector de velocidad de las escobillas se encuentra apagado (ver sección anterior).
2. Coloque el mango en posición vertical. (vea "Indicador del modo para limpieza", Fig. 2-3).
3. La pantalla del indicador de escobilla está sucia.

2-9

Para limpiar la malla (H), **apague la limpiadora para alfombras y desconéctela de la toma de corriente eléctrica**.

Quite la tapa transparente y limpie la pantalla con un paño húmedo. Encaje nuevamente la tapa en su posición.

2-10

Los tanques Tanque para la solución limpiadora: (tanque superior)

El tanque para la solución limpiadora contiene la solución limpiadora que se va a dispersar en la superficie a ser limpiada.

Cómo llenar

Desconecte la limpiadora para alfombras de la toma de corriente eléctrica.

Coloque el mango de la limpiadora para alfombras en la posición vertical para que quede fijo.

Para sacar el tanque presione hacia abajo el asa y jale hacia adelante.

Lleve el tanque al fregadero.

2-11

Gire la tapa del tanque en dirección del reloj y levántela para quitarla.

2-12

Voltee la tapa (A) para usarla como taza de medir.

Con la tapa, mida el detergente según la siguiente tabla.

Para alfombras, escaleras alfombradas y tapicería:

Llene la tapa hasta la **línea de llenado** (5 onzas/150 mL) con el **detergente Hoover para alfombras y tapicería**.

Para pisos expuestos:

Llene la tapa hasta la **línea de llenado** (5 onzas/150 mL) con la solución de limpieza para pisos de superficie dura de HOOVER*.

No use el limpiador para pisos expuestos en alfombras o tapicería. **No use ningún tipo de cera con su limpiadora para alfombras**

SteamVac™.

NOTA: Use solamente detergentes HOOVER. Sus fórmulas son especiales para usarse con su limpiadora para alfombras SteamVac™.

*Disponibles a un costo adicional si no están incluidos en su modelo.

Para áreas de mucho tráfico:

Pre-tratamiento con el limpiador rociador para manchas de HOOVER *. Si no tiene acceso al el limpiador rociador para manchas, doble la cantidad del detergente HOOVER (use 2 tapas llenas o 10 onzas/300 mL) por un tanque de un galón/3,8 L.

ATENCIÓN:

Los detergentes contienen surfactantes aniónicos y no iónicos. Evite el contacto con los ojos y la piel. En caso de contacto con los ojos, enjuáguelos con agua fría por 15 minutos. En caso de contacto con la piel, lávela con agua. Si persiste la irritación, llame a un médico.

2-13

Vierta el detergente en el tanque. Llene el tanque hasta la línea de llenado (B) (1 galón/3,8 L) con agua caliente de grifo.

Para obtener el rendimiento adecuado, **use solamente detergente de limpieza HOOVER.**

2-14

Si el anillo de caucho (C) en la tapa se ha salido de su lugar, vuélvalo a colocar con el borde no uniforme contra el borde resaltado (D) como se muestra.

2-15

Vuelva a colocar la tapa. **Gire la tapa en sentido del reloj hasta que encaje en su lugar. La tapa debe encajar en su lugar para el funcionamiento adecuado y para prevenir fugas.**

2-16

Coloque la parte inferior del tanque en la unidad y presione el asa para que el tanque encaje en su lugar

Tanque de recuperación: (tanque inferior)

El tanque de recuperación contiene la solución sucia que se ha recogido de la alfombra.

Al llenarse el tanque, el mecanismo de apagado automático funcionará (vea la figura 2-6) y se debe vaciar.

Cómo vaciar el tanque

Apague la limpiadora para alfombras y desconéctela de la toma de

corriente eléctrica.

Para evitar la posibilidad de fuga, saque el tanque para la solución limpiadora (Figura 2-10) presionando hacia abajo el asa del tanque y jalándola hacia adelante; ponga el tanque aparte (no lo ponga sobre los muebles).

Pise el pedal para soltar el asa, (Figura 2-2) y baje el asa hasta que descance sobre el suelo.

2-17

DESTRABAR/FIJAR

Para **destrabar el tanque** de la base de la limpiadora para alfombras, levante el mango a la posición de transporte (vertical). Saque el tanque de la limpiadora y llévelo a un fregadero o sumidero.

2-18

Para sacar la tapa del tanque, baje el asa completamente hacia la parte de atrás del tanque y levante la tapa.

Vacíe el tanque y vuelva a colocar la tapa.

Para tener una succión completa, es importante que la tapa del tanque de recuperación esté bien asegurada antes de limpiar.

Levante el asa del tanque a la posición de transporte para colocarlo en la base de la limpiadora para alfombras. Mueva el asa completamente hacia adelante para **trabar el tanque** en su lugar (vea la figura 3-5).

Ponga el mango de la limpiadora para alfombras en posición vertical y vuelva a colocar el tanque superior para la solución limpiadora.

3. Cómo se limpia Antes de empezar la limpieza

a. Aspire bien - Para obtener los mejores resultados en las alfombras, use una aspiradora HOOVER con agitador. Aspire la tapicería con una aspiradora con accesorio de limpieza. Use el accesorio para hendiduras para llegar a las borlas y los pliegues. **No use la limpiadora para alfombras SteamVac™ como si fuera una aspiradora en seco.**

b. Para la tapicería vea el código de limpieza - Use solamente su limpiadora para alfombras SteamVac™ de HOOVER para tapicería que esté

marcada con una "W" (que significa para lavado húmedo) o "S/W" (para limpieza con solvente/en seco o húmedo). **No limpie las telas marcadas con una "S" (únicamente para limpieza con solvente/en seco).** Si su tapicería no tiene un código, busque la ayuda de un profesional.

c. Haga una prueba para ver si destiñe el color - Mezcle el detergente y el agua de acuerdo a las instrucciones de "Llenado del tanque para la solución limpiadora, figuras. 2-8 a 2-16.

Humedezca un paño blanco absorbente con la solución y frote suavemente la superficie de una pequeña área escondida con el paño humedecido. Espere 10 minutos y vea si se ha desteñido o se ha corrido el color, pasando una toalla de papel o un paño blanco. Si la superficie tiene más de un color, examine todos los colores.

d. Cuando limpie todo el piso, saque los muebles del área que se va a limpiar (puede no ser necesario si solamente se van a limpiar las áreas de mucho tráfico). En caso de que los muebles sean demasiado pesados para moverlos, coloque papel de aluminio o papel encerado debajo de las patas. Esto evitará que el acabado de la madera tiña la alfombra. Levante con alfileres los faldones de los muebles y las cortinas.

e. Prepare las manchas y áreas de mucho tráfico con el limpiador rociador para manchas* de Hoover® - Haga una prueba para ver si se destiñe el color con **el limpiador rociador para manchas**, rociando en un área escondida. Espere diez minutos y absorba con toallas de papel o paños blancos.

Si no es visible un cambio de color, rocíe el **limpiador rociador para manchas** en las manchas y áreas de tráfico. Espere por lo menos diez minutos. Use su limpiadora para alfombras de SteamVac™ para recoger el **limpiador rociador para manchas** y para las manchas. Repita hasta que salga la mancha; refriegue con cuidado con un cepillo de uso casero si es necesario.

No sature la alfombra ni la tapicería con el **limpiador rociador para manchas**.

Si no tiene acceso al limpiador rociador para manchas, doble la cantidad del detergente HOOVER en el tanque para la solución limpiadora (use 2 tapas llenas o 10 onzas/300 mL por un galón/3,8 L).

Ninguna solución limpiadora saca todas las manchas de todas las alfombras. La eliminación de manchas varía con el tipo de derrame, el tiempo que ha transcurrido antes de que se saque, y el material y tipo de la alfombra.

f. Para evitar manchar, use plástico o papel de aluminio para proteger las superficies de madera o metal de la posibilidad de ser rociados con agua.

g. Para evitar humedecer y posiblemente dañar los pisos de madera debajo de las alfombras de área o de pared a pared mueva las alfombras a un piso expuesto que no sea de madera o protéjalas, colocando materiales a prueba de agua (por ejemplo plástico) debajo de las alfombras antes de limpiarlas.

Las instrucciones sobre distintas tareas de limpieza las puede ver en las páginas 20 a 22.

*Disponible a un costo adicional si no está incluido en su modelo.

Después de haberla usado

a. Deje que seque la alfombra o tapicería. Para evitar que la alfombra quede opaca o se vuelva a ensuciar, mantenga a los niños y animales alejados de la superficie hasta **que esté completamente seca. Si es necesario caminar sobre la alfombra húmeda**, coloque toallas o paños blancos en las áreas de tráfico.

Si se deben volver a colocar los muebles antes de que la alfombra esté seca, coloque plástico o papel de aluminio debajo de las patas de los muebles de modo que los deslizadores de metal o los acabados de madera no vayan a teñir la alfombra.

b. Si desea, puede enjuagar la alfombra. **Para limpiar, no es necesario enjuagarla**, pero puede mejorar el aspecto de la superficie después que se haya secado.

Si desea enjuagar, tenga cuidado de no mojar demasiado la alfombra o la tapicería.

Dé tiempo, entre la limpieza y el enjuagado, para que la alfombra o la tapicería se seque completamente. Para enjuagar, siga el mismo procedimiento que para limpiar, usando agua caliente del grifo, sin detergente en el tanque superior para la solución limpiadora.

c. Vacíe los tanques, enjuague con agua limpia y deje secar al aire. Enjuague la tapa del tanque para la solución y del tanque de recuperación y déjelas secar al aire.

3-1

d. Elimine las pelus™as de la malla de filtración que está dentro del tanque de recuperación.

e. Si desea, aspire bien después que la alfombra se haya secado completamente. Esto ayudará a reducir cualquier sombreado que hayan podido dejar las escobillas de la limpiadora para alfombras.

Para limpiar la boquilla

Si hay pelusa u otros restos atascados en la **boquilla**, **no intente sacar la cubierta de la boquilla. Tapa de la boquilla.**

Eche una o dos tazas de agua limpia en un piso sin alfombra. **No vierta agua en un piso de madera.**

Recoja el agua con su limpiadora para alfombras Steam Vac™. Repita las veces que sea necesario para desalojar cualesquiera restos en la boquilla.

3-2

Algunos modelos tienen un accesorio de limpieza que se usa para eliminar los restos de la boquilla o cuando no se tiene un piso expuesto. Para usar el accesorio: **Desconecte la limpiadora para alfombras de la toma de corriente eléctrica.** Deslice el accesorio dentro de la boquilla y saque los restos como se muestra.

Para limpiar la parte de afuera de la máquina, pase un trapo humedecido en agua tibia y un detergente suave para quitar el sucio. **Para limpiar la máquina, no use solventes ni productos derivados del petróleo.**

Limpieza de alfombras

Lea las instrucciones "Antes de comenzar la limpieza" en la página 19.

1. Llene el tanque para la solución limpiadora (tanque superior) con el detergente para alfombras y tapicería HOOVER de acuerdo a las instrucciones de las figuras 2-10 a 2-16.

2. **Mueva el selector de velocidad a LO para una limpieza suave o a HI para una limpieza normal.**

3. Séquese las manos y enchufe el cordón en una **toma de corriente eléctrica debidamente conectada a tierra.**

No limpie sobre tomas de corriente eléctricas que estén en los pisos.

4. Para evitar caminar sobre alfombras húmedas comience en el extremo de la habitación más alejado de la puerta o en el camino al fregadero donde se vaciarán y llenarán los tanques.

Pise el pedal para soltar el mango y

baje el mango a la posición de operación; encienda la limpiadora para alfombras.

3-3

5. Apriete el gatillo para surtir la solución limpiadora y **lentamente** empuje la limpiadora para alfombras hacia adelante (equivale a una pasada húmeda).

6. Continúe apretando el gatillo y jale **lentamente** la limpiadora para alfombras hacia usted (segunda pasada húmeda). Suelte el gatillo y empuje **lentamente** la limpiadora para alfombras hacia el área que acaba de rociar con la solución (pasada seca). Entonces, **lentamente** jale la limpiadora para alfombras de regreso hacia usted sin apretar el gatillo (pasada seca).

7. Traslape las pasadas por 1 pulgada/2,54 cm para evitar que quede disparejo.

Mantenga la boquilla plana contra el piso tanto para las pasadas hacia adelante como para las pasadas hacia atrás.

Para zonas muy sucias, repita los pasos 5 a 7.

8. **Para evitar saturar la alfombra no use más de 4 pasadas húmedas sobre un área. Siempre termine con pasadas secas.**

Es mejor alternar las pasadas húmedas y secas como se describen antes.

Para obtener mejores resultados en la limpieza y acelerar el secado de la alfombra, termine con más pasadas secas. (Continúe dando pasadas secas hasta que poca agua quede visible pasando a través de la tapa del tanque de recuperación.) Vacíe el tanque de recuperación cuando el sonido del motor sea muy agudo y haya una pérdida de succión (vea "Apagado automático", figura 2-6).

Cuando termine de limpiar, siga las instrucciones "Después de la limpieza" de las páginas 19 y 20.

Para recoger derrames

Su limpiadora para alfombras Steam Vac también se puede usar para recoger **pequeños derrames de líquidos (1 galón/3,8 L) o menos, nunca debe exceder 1/4 de pulgada/6,3 mm para alfombras** en alfombras, tapicería o pisos expuestos.

Para obtener los mejores resultados, recoja los derrames inmediatamente, colocando la boquilla para escaleras y tapicería justo por encima del derrame y succionando cualquier residuo que esté

sobre la alfombra. Si queda derrame, coloque ya sea la boquilla de escaleras y tapicería o la de pisos con las escobillas apagadas frente al derrame, jale la boquilla muy lentamente sobre el derrame, usando solamente la succión al principio. Repita el rociado y la succión.

Cuando esté recogiendo derrames en pisos expuestos, use solamente la boquilla para pisos, tenga colocado el accesorio para pisos expuestos y el selector de velocidad debe estar en la posición OFF (para evitar que se disperse el derrame).

Si queda una mancha, habitualmente lo más eficaz para quitarla es la boquilla para escaleras y tapicería. Aunque ninguna solución limpiadora puede sacar completamente todas las manchas, éstas se pueden tratar siguiendo las instrucciones que dé el fabricante de la alfombra, la tapicería o la superficie de piso expuesto que se está limpiando.

No use la limpiadora para alfombras para recoger líquidos combustibles o inflamables o químicos.

Cuando haya terminado, siga las instrucciones "Después de la limpieza" de las páginas 19 y 20.

Limpieza de pisos expuestos

Cómo instalar el accesorio para pisos expuestos

Desconecte la limpiadora para alfombras de la toma de corriente eléctrica.

Para evitar la posibilidad de fugas, saque el tanque para la solución limpiadora (Figura 2-10) y el tanque de recuperación (Figura 2-17) antes de colocar el accesorio para pisos expuestos. Ponga los tanques aparte (no los ponga sobre los muebles).

1. Con el mango en la posición vertical, incline la limpiadora hacia atrás de modo que el mango descansa en el piso.

3-4

2. Con la tira de espuma (A) (que se encuentra debajo de la malla) en la posición mostrada, coloque el accesorio al frente de la boquilla (B). Asegúrese de que la flecha del extremo del accesorio apunte en la dirección que se muestra.

3-5

3. Empuje el accesorio contra la boquilla

mientras lo hace girar hacia abajo hasta que ambos extremos encajan en su lugar.

(Nota: se puede necesitar un poco de fuerza para hacer girar y encajar el accesorio en su lugar).

4. Vuelva a poner la limpiadora para alfombras en posición vertical. Baje el mango y vuelva a colocar el tanque de recuperación.

5. Levante el mango a la posición vertical y vuelva a colocar el tanque para la solución limpiadora.

Para limpiar el piso

Lea las instrucciones “Antes de comenzar la limpieza” en la página 19.

No use la limpiadora para alfombras SteamVac™ en pisos de madera.

1. Llene el tanque para la solución limpiadora con el solución de limpieza para pisos de superficie dura (disponible a un costo adicional si no se incluye con su modelo) según las instrucciones para las figuras 2-10 to 2-16.

No use ningún tipo de cera con su limpiadora para alfombras SteamVac™.

2. Lleve el selector de velocidad a las posiciones LO o HI para refregar o a la posición OFF si no desea hacerlo.

3. Séquese las manos y **enchufe la limpiadora para alfombras en una toma de corriente eléctrica con conexión a tierra adecuada.**

4. Pise el pedal para soltar el mango y baje el mango a la posición de operación; encienda la limpiadora.

5. Para surtir la solución, oprima el gatillo. Mueva la limpiadora para alfombras lentamente hacia adelante y hacia atrás sobre el área que va a limpiar.

6. Para recoger la solución sucia, suelte el gatillo y mueva lentamente la limpiadora para alfombras sobre el área donde acaba de dispersar la solución. Use pasadas hacia adelante y hacia atrás.

7. Vacíe el tanque de recuperación cuando el sonido del motor sea muy agudo y haya una pérdida de succión (vea “Apagado automático”, figura 2-6).

8. Cuando termine de limpiar, siga las instrucciones “Después de la limpieza” de las páginas 19 y 20.

Desconecte la limpiadora para alfombras de la toma de corriente eléctrica y saque el accesorio de la boquilla. Enjuáguelo con agua limpia. No saque la malla de plástico ni la espuma del accesorio.

Uso de los accesorios

3-6

A. El accesorio de mano turboaccionado tiene escobillas giratorias para una acción adicional de refregado en alfombras pequeñas, escaleras alfombradas y tapicería. Las escobillas pueden quitarse para pasar al módulo de refregar.

B. La boquilla para escalera y tapicería tiene incorporada una escobilla que ayuda a refregar algunas manchas para quitarlas.

C. El módulo de refregado con almohadilla de refregar desmontable* se instala en la base del accesorio de mano turboaccionado (en vez del módulo de refregado). Se puede usar para refregar áreas en que la mancha sea resistente como marcas de haber arrastrado los pies, derrames que se han secado y en áreas de difícil acceso sobre superficies duras.

3-7

Cómo conectar los accesorios

Desconecte la limpiadora para alfombras de la toma de corriente eléctrica.

1. Coloque el mango en la posición vertical y saque la manguera del soporte.

Todos los accesorios se conectan a la manguera del mismo modo.

2. Conecte el accesorio a la manguera deslizándolo en el conector hasta que la lengüeta (D) encaje firmemente.

Con el pulgar, empuje el **pestillo (E) hacia adelante y hacia arriba** para sacar el accesorio como se muestra.

Antes de usar el accesorio

Puede ser necesario sacar el aire del sistema (“cebar la bomba”) para que la solución limpiadora fluya al accesorio. Siga estos pasos:

1. Conecte el accesorio a la manguera y encienda la limpiadora para alfombras.

2. Coloque el accesorio sobre una superficie dura o contra su mano para bloquear la succión.

3. Espere unos cuantos segundos (pueden necesitarse hasta 15 segundos). Luego apriete el gatillo y comience la limpieza.

Siga las instrucciones de la página 22 sobre la tarea de limpieza apropiada.

3-8

Instalación del módulo de refregar*

1. Abra la puerta de accesorios y saque el accesorio de mano turboaccionado.

2. Sostenga los costados del módulo de cepillar y levántelo de la base (F).

3. Jale el módulo de refregar de la limpiadora para alfombras y encájelo en la base.

Nota: Puede ser necesario rotar ligeramente el módulo de refregar (G) para alinearlos adecuadamente con la base.

*Se incluye en algunos modelos

3-9

Uso del accesorio para refregar

Con un poco de solución, pruebe el accesorio para refregar en un área escondida antes de usarlo en la superficie que desee. Si no se aprecia ningún cambio en la superficie, continúe usándolo como se describe a continuación.

1. Llene el tanque para la solución limpiadora con el solución de limpieza para pisos de superficie dura siguiendo las instrucciones de las figuras 2-10 a 2-16.

2. Sostenga el accesorio para refregar sobre el área que se va a limpiar y oprima el gatillo para surtir la solución.

3. Suelte el gatillo y refriegue el área con el accesorio. Recoja la solución sucia con un rodillo de secado como se muestra.

3-10

Después de usar el accesorio para refregar

Para limpiar la almohadilla de refregar, sáquela del módulo. Lávela en agua con detergente suave. Enjuague y deje secar al aire libre.

La almohadilla debe estar completamente seca antes de volver a colocarla en el módulo y guardarla en la limpiadora para alfombras.

Las almohadillas de reemplazo también pueden comprarse. Pida la pieza **HOOVER no. 40308001.**

Para guardar el módulo de refregar, sáquelo del accesorio de la misma forma como se saca el módulo de cepillar.

Alinee los orificios en la parte de atrás del módulo con las lengüetas en el área

de almacenamiento (H).

Empuje el módulo para que quede en su lugar.

3-11

Después de usar el accesorio

1. Siga los pasos a y b de "Después de la limpieza" en la página 19.

2. Enjuague el accesorio y la manguera llenando el fregadero con una pequeña cantidad de agua. Encienda la limpiadora para alfombras y recoja el agua con el accesorio.

3-12

3. Haga salir el agua de la manguera encendiendo la limpiadora para alfombras y sosteniendo el extremo de la manguera hacia arriba por algunos segundos. No oprima el gatillo.

4. Desconecte la limpiadora para alfombras de la toma de corriente eléctrica.

5. Deje que escurra el tubo de la solución (ubicado dentro de la manguera) apuntando el extremo de la manguera hacia el fregadero y oprimiendo el gatillo.

6. Proceda con los pasos c, d y e en "Después de la limpieza" en las páginas 19 y 20.

Limpieza de escaleras alfombradas

Lea las instrucciones "Antes de comenzar la limpieza" en la página 19.

1. Coloque el mango en posición vertical. **Las escobillas del agitador no girarán mientras el mango esté vertical.**

2. Llene el tanque para la solución limpiadora con el detergente Hoover para alfombras y tapicería siguiendo las instrucciones de las figuras 2-10 a 2-16.

3. Coloque el accesorio en el extremo de la manguera.

4. La longitud de la manguera puede requerir que la máquina se coloque en la parte superior de las escaleras para limpiar la mitad superior de la escalera y al otro extremo de la escalera para limpiar la mitad inferior.

Para evitar que se caiga la máquina, tenga mucho cuidado cuando limpie escaleras.

No coloque la limpiadora para alfombras sobre los escalones.

No apunte los accesorios hacia personas o animales.

22

5. Séquese las manos y enchufe la limpiadora para alfombras en una toma de corriente **eléctrica con conexión a tierra adecuada.**

6. Encienda la limpiadora para alfombras. Si es necesario, consulte la sección "Antes de usar el accesorio" para eliminar el aire del sistema.

3-13

7. Haga un rociado preliminar de la escalera alfombrada sosteniendo el accesorio (A) o (B) a aproximadamente 1 pulgada/2,54 cm por encima de la alfombra y empújelo hacia adelante mientras oprime el gatillo (equivalente a una pasada húmeda).

8. Coloque el accesorio contra la parte vertical del escalón y presione ligeramente las fibras de la alfombra. Oprima el gatillo y jale el accesorio **lentamente** sobre la alfombra, (segunda pasada húmeda). Suelte el gatillo al final de la pasada.

3-14

9. Levante el accesorio y colóquelo contra la parte vertical del escalón. Jale el accesorio **lentamente** sobre la alfombra sin oprimir el gatillo (pasada seca).

Es mejor alternar las pasadas húmedas y secas como se describen antes. Termine con más pasadas secas para que la alfombra se seque más rápido.

10. Traslape las pasadas 1/2 pulgada/1,27 cm para evitar que quede disparejo.

Para evitar saturar la alfombra no use más de 4 pasadas húmedas sobre un área. Siempre termine con pasadas secas.

Si se necesita una limpieza adicional, espere hasta que la alfombra esté completamente seca antes de usar el accesorio nuevamente.

11. Vacíe el tanque de recuperación cuando el sonido del motor sea demasiado agudo y haya una pérdida de succión (vea "Apagado automático, figura 2-6).

Cuando termine de limpiar, siga las instrucciones "Después de la limpieza" en la página 19 y "Después de usar el accesorio" en la página 22.

Limpieza de tapicería

Lea las instrucciones "Antes de comenzar la limpieza" en la página 19.

No deje de verificar el código de limpieza de su tapicería. **Use su limpiadora para alfombras SteamVac™ de Hoover sólo en**

tapicería marcada "W" o "W/S".

1. Coloque el mango en posición vertical. **Las escobillas del agitador no girarán mientras el mango esté vertical.**

2. Llene el tanque para la solución limpiadora con el detergente Hoover para alfombras y tapicería siguiendo las instrucciones de las figuras 2-10 a 2-16.

3. Coloque el accesorio en el extremo de la manguera.

No apunte los accesorios hacia personas o animales.

4. Séquese las manos y enchufe la limpiadora para alfombras en una **toma de corriente eléctrica con conexión a tierra adecuada.**

5. Encienda la limpiadora para alfombras. Si es necesario, consulte la sección "Antes de usar el accesorio" para eliminar el aire del sistema.

3-15

6. Presione el accesorio (A) o (B) suavemente sobre la tela. Oprima el gatillo y haga retroceder la boquilla lentamente sobre la tela.

7. Traslape las pasadas 1/2 pulgada/1,27 cm para evitar que quede disparejo.

Haga pasadas adicionales sin presionar el gatillo para eliminar más humedad.

8. Para limpiar las esquinas y rendijas, levante el accesorio a media pulgada/1,27 cm de la tela y apriete el gatillo para surtir la solución.

9. Aspire la solución con el accesorio sin apretar el gatillo.

3-16

10. En las áreas muy sucias, puede ser necesario repetir el proceso de limpieza. Haga pasadas que crucen el diseño original y traslape las pasadas.

No dé más de dos pasadas sobre un área para evitar mojar demasiado la tela, lo que podría dañarla.

Si se necesita una limpieza adicional, espere hasta que la tapicería esté completamente seca antes de usar el accesorio nuevamente.

11. Vacíe el tanque de recuperación cuando el sonido del motor sea muy agudo y haya una pérdida de succión (vea "Apagado automático", figura 2-6).

Cuando termine de limpiar, siga las instrucciones "Después de la limpieza" en la página 19 y "Después de usar el accesorio" en la página 22.

4.

Mantenimiento Escobillas removibles

Su limpiador está equipada con cepillos removibles para facilitar su limpieza.

Para quitar los cepillos desenchufe la aspiradora de la toma de corriente eléctrica.

Para evitar la posibilidad de fugas, saque el depósito de solución limpia y el depósito de recuperación. Colóquelos a un lado.

4-1

Apriete el pedal de destrabe del mango para bajarlo. Voltee la aspiradora de manera que se encuentre orientado hacia arriba.

4-2

Sujete la parte interior del cepillo (A) y jale el conjunto de los cepillos para sacarlo ligeramente, hasta que vea las trabas (B).

4-3

Presione los cuatro broches y saque el bloque de escobillas. Los cepillos se pueden limpiar bajo un chorro de agua.

4-4

Para volver a colocar los cepillos

Alinee los postes (C) en ambos extremos del conjunto de los cepillos con las ranuras (D) del exterior de la aspiradora. Asegúrese de que el poste cuadrado (E) se alinee también con el agujero cuadrado (F). Gire los cepillos ligeramente hasta que el poste quepa fácilmente dentro del agujero.

4-5

Presione el conjunto de los cepillos con firmeza para trabarlo en su lugar.

Almacenamiento

Antes de guardar:

- Vacíe el tanque para la solución limpiadora y enjuáguelo bien con agua limpia.
- Vuelva a colocar el tanque de solución **vacío** y encienda la limpiadora para alfombras. Apriete el gatillo y empuje la limpiadora para alfombras hacia atrás y hacia adelante varias veces para extraer cualquier solución que permanezca en el sistema de la limpiadora para alfombras. (No use la limpiadora para alfombras en pisos de madera).

- Vacíe el tanque de recuperación y enjuáguelo bien con agua limpia.

Deje que las escobillas y la parte de abajo de la limpiadora para alfombras se sequen al aire completamente antes de guardarla en una superficie alfombrada o de madera.

No guarde la limpiadora para alfombras cuando el tanque para la solución esté lleno.

Lubricación

El motor tiene cojinetes que cuentan con suficiente lubricación para toda la vida del motor. La adición de lubricantes podría causar daños. **Por lo tanto, no añada lubricante a los cojinetes del motor.**

5.

Si tiene un problema

Si ocurre un problema menor, generalmente puede resolverse con bastante facilidad cuando se halla la causa. Por lo tanto, se proporciona esta lista de verificación para su comodidad.

Problema: El aparato no funciona

Causa probable

Solución probable

- **No está bien enchufado.**
- *Enchúfelo bien.*
- **No hay voltaje en la toma de corriente eléctrica de la pared.**
- *Inspeccione el fusible y el interruptor.*
- **Fusible quemado o se disparó el interruptor.**
- *Reemplace el fusible/reconecte el interruptor*

Problema: Succión pobre

Causa probable

Solución probable

- **El tanque de recuperación está lleno y se ha activado el apagado automático.**
- *Saque y vacíe el tanque de recuperación*
- **Hay un bloqueo en el accesorio al extremo de la manguera.**
- *Saque el accesorio y limpie el bloqueo.*
- **La tapa del tanque de recuperación no está puesta correctamente**
- *Asegúrese que la tapa esté fija*

Problem: La solución de limpieza no sale

Causa probable

Solución probable

- **El tanque para la solución de limpieza no está bien colocado.**
- *Verifique que el tanque esté bien asegurado en su lugar.*

- **El tanque para la solución de limpieza está vacío.**
- *Llene el tanque de acuerdo con las instrucciones para el área que se va a limpiar.*
- **La tapa del tanque de recuperación no está bien puesta.**
- *Verifique que la tapa esté bien ajustada en su lugar.*
- **La bomba necesita ser cebada (cuando se va usar un accesorio).**
- *Vea la sección "Antes de usar un accesorio" en la p. 21.*

Problema: Las escobillas/indicador de escobilla no giran durante la limpieza del piso

Causa probable

Solución probable

- **La pantalla del indicador está sucia**
- *Quite la tapa transparente del indicador y limpie la pantalla. Vuelva a colocar la tapa*
- **El selector de velocidad está en la posición OFF.**
- *Lleve el selector de velocidad a Low o Hi*

Servicio

Para obtener el servicio aprobado por HOOVER y las piezas genuinas de HOOVER, localice el **Centro de Ventas y de Servicio de Hoover o el Concesionario Autorizado de Servicio de Garantía de Hoover (Depósito)** más cercano:

- buscando en las Páginas Amarillas bajo "Vacuum Cleaners - Household" ("Aspiradoras - Artículos del Hogar"), o
- buscando en la lista de Centros de Ventas y de Servicio que viene con esta aspiradora, o
- llamando al **1-800-944-9200** para una referencia automática de la ubicación de los centros de servicio autorizados (EE.UU. solamente)

Le agradeceremos que no envíe su aspiradora a Hoover en North Canton, Ohio para servicio, ya que sólo resultará en demoras.

Si requiere asistencia adicional, comuníquese con Hoover Consumer Response Center, Teléfono 1-330-499-9499.

En Canadá, comuníquese con Hoover Canada, Burlington, Ontario L7R 4A8. Teléfono 1-800-263-6376.

Al solicitar información o pedir piezas identifique siempre su aspiradora por el número **completo** de modelo el cual está en la base de la aspiradora.

Garantía de un año completo

(Para uso doméstico)

Su artefacto HOOVER® está garantizado en caso de uso doméstico normal según el Manual del Propietario contra defectos originales en el material y la fabricación por el período de un año completo a contar de la fecha de compra. La presente garantía cubre gratuitamente la mano de obra y las piezas necesarias para dejar este artefacto en buen estado de funcionamiento durante el período de garantía. Esta garantía es válida si el artefacto fue comprado los Estados Unidos, en sus territorios y posesiones o en Canadá o en una tienda situada en una base militar de EE.UU. Los artefactos comprados en otros lugares están cubiertos por una garantía limitada de un año que cubre solamente el costo de las piezas. Esta garantía no es válida si el artefacto es utilizado para uso comercial o de alquiler.

Esta garantía solamente es válida cuando el producto se usa en el país o territorio en el cual fue comprado.

El servicio bajo la garantía se puede obtener solamente al presentar el artefacto en uno de los centros autorizados de servicio de garantía indicados a continuación. Puede requerirse la presentación de un comprobante de compra antes de efectuar el servicio.

1. Centros de Ventas y de Servicio de Hoover.
2. Concesionarios autorizados de servicio de garantías de Hoover (Depósitos)

Para obtener una referencia automatizada de la ubicación de los sitios autorizados para servicio de productos en los Estados Unidos, llame al 1-800-944-9200

Esta garantía no cubre la recogida, la entrega, ni las visitas a domicilio; sin embargo, si envía su artefacto a un Centro de Ventas y de Servicio de Hoover para un servicio de garantía, el transporte se pagará en una sola dirección.

Esta garantía le otorga derechos específicos, usted puede tener otros derechos que varían de estado a estado.

Si necesita asistencia adicional o si tiene preguntas sobre esta garantía, o la disponibilidad de centros de servicio bajo garantía, escriba o llame al Centro de Respuesta al Cliente, Hoover, Teléfono 1-330-499-9499.

En Canadá, comuníquese con Hoover Canada, Burlington, Ontario L7R 4A8 al teléfono 1-800-263-6376.

HOOVER®

Steam Vac^{MC} LS

Le nettoyeur en profondeur facile à utiliser avec conversion automatique des accessoires

Nous vous remercions d'avoir choisi ce produit HOOVER®.

Cet aspirateur a été inspecté et emballé soigneusement avant d'être expédié depuis l'usine.

Si vous avez besoin d'aide pour l'assemblage ou l'utilisation, appelez

Hoover Canada –
1-800-463-3923 (Montréal)

PRIÈRE DE NE PAS RENVOYER CE PRODUIT AU MAGASIN.

Guide de l'utilisateur

FRANÇAIS → pp. 26-35

Lire attentivement ces instructions avant d'utiliser l'aspirateur.

Index

| | |
|---|-------|
| Consignes de sécurité importantes | 26 |
| Déballage de l'appareil | 27 |
| Assemblage de l'appareil | 27-28 |
| Description de l'appareil | 28 |
| Utilisation générale | 28-30 |
| Remplissage du réservoir à solution propre | 29 |
| Vidage du réservoir de récupération | 29 |
| Sélecteur de vitesse de l'agitateur | 29 |
| Indicateur de rotation des brosses | 29 |
| Utilisation | |
| Avant de commencer | 30 |
| Après le nettoyage | 30 |
| Nettoyage du tapis | 30 |
| Ramassage de liquides renversés | 31 |
| Nettoyage des planchers à surface dure | 31 |
| Utilisation des accessoires | 32 |
| Nettoyage des escaliers | 32-33 |
| Nettoyage des tissus de recouvrement | 33 |
| Dépannage | 34 |
| Lubrification | 34 |
| Service | 34 |
| Rangement | 34 |
| Garantie | 35 |
| Formulaire de commande postale pour pièces et accessoires | 37 |



© 2006 The Hoover Company

Remplir et conserver

Les numéros de modèle et de série sont inscrits au centre, sur la partie arrière du boîtier de l'appareil.

Inscrivez les numéros COMPLETS de série et de modèle dans les espaces ci-dessous, et conservez ce document pour référence ultérieure.

Numéro de modèle _____

Numéro de série _____

Il est recommandé de joindre votre reçu de caisse à ce document, car une vérification de la date d'achat peut être effectuée avant toute réparation couverte par la garantie.

Consignes de sécurité importantes !

Durant l'utilisation d'un appareil électrique, toujours respecter les précautions élémentaires, y compris les consignes suivantes :

LIRE TOUTES LES INSTRUCTIONS AVANT D'UTILISER CET APPAREIL

Avertissement : Afin de réduire au minimum les risques d'incendie, de choc électrique ou de blessures :

- N'utiliser qu'à l'intérieur.
- N'utiliser que sur des surfaces déjà rendues humides par le procédé de nettoyage ou le liquide renversé. Ne pas immerger l'appareil.
- Ne brancher que dans une prise d'alimentation correctement mise à la terre. Consulter la section " Instructions de mise à la terre ".
- S'assurer d'avoir les mains sèches.
- Éviter d'utiliser l'appareil si les réservoirs ne sont pas en place.
- Faire preuve d'une grande prudence pendant l'utilisation dans des escaliers. Ne pas placer l'appareil sur les marches de l'escalier.
- N'utiliser l'appareil que selon le but dans lequel il a été construit, et conformément aux instructions du fabricant.
- N'utiliser que les accessoires recommandés par Hoover; d'autres accessoires pourraient s'avérer dangereux.
- L'utilisation d'une rallonge n'est pas recommandée. Si une rallonge est absolument nécessaire, utiliser une rallonge à 3 câbles d'un calibre d'au moins 16, possédant une prise mâle à 3 branches et une prise femelle à 3 trous afin de recevoir la prise mâle de l'appareil.
- Débrancher l'appareil s'il n'est pas utilisé. Éteindre toutes les commandes avant de débrancher l'appareil.
- Désenchûfe la antes de conectar la herramienta manual que tiene energía.
- Toujours débrancher l'appareil avant de faire l'entretien de l'appareil.
- Éviter de tirer sur le cordon d'alimentation pour débrancher l'appareil. Saisir la prise mâle et non le cordon.
- Ne jamais manipuler la prise mâle ou l'appareil avec les mains mouillées.
- Éviter de tirer l'appareil par le cordon d'alimentation, d'utiliser le cordon pour transporter ou soulever l'appareil, de coincer, d'écraser ou de tirer le cordon autour de coins ou d'arêtes vives.
- Éviter de faire passer l'appareil sur le cordon. Garder le cordon loin de toute surface chauffée.
- Éviter d'utiliser si la prise mâle ou le cordon sont endommagés. Si l'appareil fonctionne mal, s'il est tombé par terre ou dans l'eau, endommagé ou laissé à l'extérieur, il doit être apporté à un Centre de vente et de service Hoover ou un détaillant de service garanti autorisé Hoover.
- Faire preuve d'une grande prudence lorsque l'appareil est utilisé par des enfants ou près de ceux-ci. Éviter que l'appareil soit utilisé comme jouet ou laissé sans surveillance.
- Éviter de pointer les accessoires vers des personnes ou des animaux.
- N'utiliser que les nettoyeurs disponibles en vente libre conçus pour l'utilisation avec cet appareil. Éviter d'employer n'importe quelle cire avec agent de nettoyage en profondeur avec cet appareil.
- Afin de réduire au minimum le temps de séchage, s'assurer que la surface à nettoyer est bien ventilée pendant l'utilisation de détergents et d'autres nettoyeurs avec cet appareil.
- Garder les détergents et autres produits nettoyeurs hors de la portée des enfants.
- Éviter d'utiliser l'appareil pour ramasser des liquides ou des produits chimiques inflammables ou combustibles ou d'utiliser l'appareil dans des endroits où de tels composés sont présents.
- Éviter d'utiliser cet appareil pour ramasser des produits de blanchiment au chlore, des nettoyeurs à tuyaux, de l'essence ou toute autre matière toxique.
- Éviter que l'aspirateur ne ramasse toute matière qui dégage de la fumée ou qui brûle, comme des cigarettes, des allumettes ou des cendres encore chaudes
- Éviter d'aspirer des objets durs et acérés. Ils pourraient endommager l'appareil.
- Garder cheveux, vêtements, doigts, pieds ou toute autre partie du corps à bonne distance des ouvertures et des pièces mobiles de l'appareil
- Éviter d'introduire des objets dans les ouvertures. S'assurer qu'aucune ouverture n'est obstruée; maintenir celles-ci exemptes de poussière, de mousse, de cheveux ou de toute autre matière qui pourrait réduire le débit d'air.
- Pour aider à prévenir les taches et le marquage, éviter tout contact avec les tapis jusqu'à ce qu'ils soient secs. Faire en sorte que les enfants et animaux fassent de même.
- Ranger dans un endroit sec. Éviter d'exposer l'appareil à des températures inférieures au point de congélation.

Rangez et conservez ces instructions!

Des questions ou des préoccupations ?

La compagnie Hoover veut remédier immédiatement à tous les problèmes que vous pouvez avoir avec votre aspirateur ou répondre à vos questions sur son utilisation. Consulter la liste fournie avec le produit pour le **centre de service usine Hoover** local ou les pages jaunes de l'annuaire sous la rubrique «Aspirateurs - domestiques» pour le dépôt de service de garantie Hoover autorisé le plus proche ou appeler:

Hoover Canada –
1-800-463-3923 (Montréal)

PRIÈRE DE NE PAS RENVoyer CE PRODUIT AU MAGASIN NI LE RENVoyer À BURLINGTON POUR UN ENTRETIEN.

Utiliser les instructions numérotées de cette section française avec les illustrations numérotées correspondantes de la section anglaise de ce guide.

Instructions de mise à la terre

Cet appareil doit être mis à la terre. En cas de défectuosité ou de bris de l'appareil, la mise à la terre assure une autre voie de circulation au courant électrique, ce qui réduit considérablement le risque de choc électrique. Cet aspirateur comporte un conducteur de mise à la terre (C) et une prise mâle de mise à la terre (A). La prise mâle doit être branchée dans une prise d'alimentation conforme (B), installée et mise à la terre conformément aux codes et règlements locaux.

DANGER

Un mauvais branchement de la prise mâle peut augmenter le risque de choc électrique. En cas de doute quant à la bonne mise à la terre de l'installation, consulter un électricien qualifié. Éviter de modifier la prise mâle fournie avec l'appareil. Si elle n'est pas compatible avec la prise femelle, demander à un électricien de remplacer cette dernière. Cet appareil a été conçu pour une tension de 120 volts et est équipé d'une prise mâle (A) semblable à celle illustrée à la figure.

Si une prise d'alimentation avec mise à la terre n'est pas disponible, un adaptateur temporaire (D) peut être utilisé pour brancher l'appareil à une prise à deux trous (E). Cet adaptateur ne doit être utilisé que sur une base temporaire, soit jusqu'à l'installation d'une prise appropriée (B) par un électricien qualifié. La patte rigide verte (F) ou la pièce semblable qui dépasse

de l'adaptateur doit être raccordée en permanence à un dispositif de mise à la terre (G), tel que le couvercle d'une boîte de sortie. Si l'adaptateur est utilisé, il doit toujours être maintenu en place par une vis métallique.

1. Assemblage Contenu de l'emballage

Sortir l'appareil de sa boîte puis identifier les pièces illustrées. Disposer ensuite de l'emballage protecteur en carton.

- A. Aspirateur
- B. Section supérieure du manche avec accessoire portatif à turbine et module de frottage
- C. Boulons (2)
- D. Écrous (3 – un écrou supplémentaire est fourni)
- E. Détergent pour tapis et tissus recouvrant les meubles
- F. Solution de nettoyage pour planchers à surface dure (certains modèles)
- G. Nettoyant aérosol pour taches (certains modèles)
- H. Accessoire pour planchers à surface dure
- I. Support à tuyau
- J. Outil pour nettoyage de l'embout (certains modèles)

Contenu de la boîte avec le tuyau :

- K. Tuyau
- L. Embout pour escaliers/tissus de recouvrement
- M. Support à tuyau et vis (fixée au support sous l'embout avec un ruban adhésif)

La figure ci-contre illustre le détachant/nettoyeuse à tapis une fois assemblé.

Montage du manche

1-2

Montage de la section supérieure du manche

Retirer le réservoir pour la solution propre (réservoir supérieur) de l'appareil.

1-3

S'assurer que le crochet du cordon d'alimentation (A) se trouve à l'arrière de l'appareil, puis enfoncer la section supérieure du manche dans la section inférieure. Insérer les **boulons** dans les

trous à l'avant de la poignée. **Si l'insertion des boulons est difficile, la section supérieure du manche n'est pas suffisamment enfoncée.**

1-4

Montage du support à tuyau

Placer le support à tuyau (B) sur le manche en alignant les pattes du support avec les ouvertures situées à l'arrière du manche. S'assurer que les trous pour les boulons sont bien alignés.

1-5

Placer les **écrous** dans les retraits à l'arrière **du support à tuyau**. Maintenir chaque écrou en place tout en serrant bien chaque boulon (à partir de l'avant de l'appareil) avec un tournevis Phillips. Seulement deux écrous sont requis pour ce modèle. L'écrou supplémentaire inclus sert de pièce de rechange.

1-6

Une fois les deux sections du manche assemblées, appuyer sur la gâchette (C) sur la section supérieure pour fixer la tige de la gâchette en place.

1-7

Replacer le réservoir à solution propre (réservoir supérieur) en appuyant d'abord sa partie inférieure contre l'appareil. Appuyer sur la poignée du réservoir pour fixer celui-ci en place (un déclic se fera entendre).

1-8

Appuyer sur le cordon d'alimentation pour le fixer dans la pince à l'arrière de la poignée. Tirer sur le cordon pour éliminer tout jeu éventuel.

1-9

Montage du support à accessoires

Retirer l'accessoire et la vis (fixée par un ruban adhésif) du support. Insérer les saillies du support dans les rainures à l'arrière de l'appareil.

1-10

Glisser le support en place. Insérer la vis au point (D) et serrer avec un tournevis Phillips.

1-11

Rangement du tuyau et des accessoires

Ranger le tuyau sur le support en

plaçant d'abord le tuyau dans la section avant du support.

1-12

Continuer à enrouler le tuyau sous le crochet inférieur (E). Enclenchez **complètement** l'extrémité du tuyau dans le support (F).

S'assurer que l'extrémité du tuyau est complètement enfoncée dans le support (F).

1-13

Placer l'accessoire dans le support à la base de l'aspirateur et l'insérer en place à l'endroit indiqué par la flèche (un déclic se fera entendre).

1-14

Faire glisser l'embout pour planchers à surface dure dans son support, tel qu'illustré.

1-15

Accessoire portatif à turbine

Afin de le protéger, l'accessoire portatif à turbine vient dans un sac en plastique. Ouvrir la porte du compartiment, prendre le sac et en retirer l'embout.

1-16

Pour retirer l'embout à main (G), le tirer vers le bas et l'extérieur. Effectuer l'opération inverse pour le remettre en place.

Pour retirer le module de frottage (H), l'agripper sur les côtés et tirer vers l'avant.

Pour remettre le module en place, insérer les pattes de la section de rangement dans les trous à l'arrière du module. Pousser sur le module pour le fixer en place (un déclic se fera entendre). Voici l'endroit de rangement approprié pour ce module.

1-17

Remise en place du couvercle

Le couvercle du compartiment est pourvu d'un dispositif de protection, qui lui permet de se détacher s'il est ouvert de façon exagérée.

Pour le replacer, il suffit d'aligner ses charnières avec les trous situés sur les côtés du support à accessoires.

2.

Utilisation

Description de l'appareil

La figure ci-contre illustre l'aspirateur une fois assemblé.

1. **Poignée**
2. **Gâchette d'application de solution** : enfoncer pour libérer de la solution propre.
3. **Pince pour cordon** : placer le cordon dans la pince pour éviter qu'il ne nuise au déplacement de l'appareil pendant son utilisation.
4. **Tuyau**
5. **Support de tuyau** : enrouler le tuyau autour du support et des crochets (6) pour le ranger.
6. **Crochets de rangement du tuyau**
7. **Crochets de rangement du cordon** : au moment de ranger l'appareil, enrouler le cordon autour des crochets. Le crochet supérieur tourne vers la droite ou la gauche, ce qui aide au dégagement du cordon.
8. **Module de frottage**
9. **Accessoire portatif à turbine**
10. **Poignée de transport**
11. **Poignée du réservoir à solution propre**
12. **Capuchon/tasse à mesurer du réservoir à solution propre**
13. **Réservoir à solution propre** : contient la solution nettoyante
14. **Réservoir de récupération** : soulever le manche pour déverrouiller et enlever le réservoir; abaisser le manche pour verrouiller le réservoir en place.
15. **Réservoir de récupération** : accumule la solution utilisée.
16. **Couvercle**
17. **Sélecteur de vitesse de l'agitateur** : comporte trois positions : HI (Haute), LO (Basse) et OFF (Arrêt).
18. **Indicateur de rotation des brosses** : tourne durant la rotation des brosses.
19. **Buse**
20. **Indicateur du mode de nettoyage** : sélectionner le plancher ou les accessoires
21. **Pédale de Marche/Arrêt**
22. **Pédale de déblocage du manche** : appuyer sur cette pédale pour abaisser le manche à sa position de fonctionnement.
23. **Embout pour escaliers/tissus de recouvrement**
24. **Accessoire pour planchers à surface dure**

Cet appareil est destiné à une utilisation domestique seulement.

N'utiliser l'aspirateur qu'à la tension spécifiée sur la plaque signalétique située à l'arrière de l'appareil. Brancher l'appareil dans une prise d'alimentation

correctement mise à la terre.

2-2

Pédale Marche/Arrêt et pédale de déblocage du manche

Appuyer sur la pédale (A) pour mettre l'appareil en marche. Appuyer de nouveau sur la pédale pour éteindre l'appareil.

Appuyer sur la pédale (B) pour abaisser le manche à sa position de fonctionnement. Le manche ne se verrouille pas à une seule position : il s'ajuste pour plus de commodité.

2-3

Indicateur du mode de fonctionnement

Lorsque le manche est en position de fonctionnement (nettoyage de tapis et de planchers à surface dure), l'indicateur à côté du mot FLOOR (C) (PLANCHER) devient vert.

Lorsque le manche est en position verticale (utilisation des accessoires pour le nettoyage d'escaliers, de tissus recouvrant les meubles, etc.), l'indicateur à côté du mot TOOL (D) (ACCESSOIRE) devient vert.

L'appareil redirige automatiquement la succion (du mode FLOOR au mode TOOL) lorsque le manche est soulevé de la position de fonctionnement à la position verticale.

2-4

Transport de l'appareil

Pour déplacer l'appareil d'une pièce à l'autre, placer le manche à la position verticale, verrouiller ce dernier, incliner l'appareil pour qu'il repose sur ses roues, puis pousser.

2-5

Il est aussi possible de soulever l'appareil pour le transporter. Placer une main sous la poignée du réservoir à solution propre (réservoir supérieur), tel qu'illustré.

2-6

Fermeture automatique

Lorsque le réservoir de récupération (réservoir inférieur) est plein, le dispositif de fermeture automatique coupe la succion de l'appareil **(la succion baisse de façon significative une fois le réservoir plein)**.

À ce moment, le disque flottant rouge remonte jusqu'au haut du couvercle du réservoir de récupération (E). L'appareil ne peut alors plus ramasser de solution utilisée, et **le bruit du moteur deviendra sensiblement plus aigu.**

Éteindre l'appareil, puis vider le réservoir de récupération avant de poursuivre l'utilisation.

Vérifier également le réservoir à solution propre : il peut avoir besoin d'être rempli.

2-7

Sélecteur de vitesse de l'agitateur

L'aspirateur SteamVac^{MC} comporte trois réglages de vitesse des brosses.

HI (Haute) – pour le nettoyage normal du tapis et des planchers à surface dure.

LO (Basse) – pour le nettoyage en douceur du tapis ou du plancher.

OFF (Arrêt)- si aucune action des brosses n'est désirée (p. ex. pour le ramassage de liquides renversés. Voir page 31.)

Avant le nettoyage, faire glisser le sélecteur à la position désirée.

2-8

Indicateur de rotation des brosses

L'indicateur de rotation des brosses tourne (F) lorsque l'appareil est en marche et que les brosses tournent.

Si l'indicateur ne tourne pas mais que le symbole est toujours visible (G) pendant que l'appareil est en marche, les brosses ne tournent pas.

Il y a trois raisons pour que les brosses ne tournent pas :

1. Le sélecteur de la vitesse de brosse est à OFF (voir section précédente).
2. Le manche est en position verticale (voir « Indicateur du mode de nettoyage », Fig. 2-3).
3. L'écran de l'indicateur est sale.

2-9

Pour nettoyer l'écran (H), **éteindre puis débrancher l'aspirateur.**

Retirer le couvercle transparent puis essuyer l'écran avec un linge humide. Remettre le couvercle en place.

2-10

Réservoirs

Réservoir à solution propre

(réservoir supérieur)

Le réservoir à solution propre contient la solution de nettoyage qui sera appliquée sur la surface à nettoyer.

Remplissage du réservoir

Couper l'alimentation électrique de l'appareil.

Verrouiller le manche de l'appareil à la position verticale.

Pour enlever le réservoir, enfoncer la poignée et tirer vers l'avant.

Placer le réservoir dans un évier.

2-11

Tourner le capuchon du réservoir dans le sens contraire des aiguilles d'une montre pour l'enlever.

2-12

Placer le capuchon (A) à l'envers pour l'utiliser comme tasse à mesurer.

À l'aide du capuchon, mesurer le détergent selon le tableau.

Pour les tapis, escaliers et tissus de recouvrement :

Remplir le capuchon jusqu'à la ligne de remplissage 150 ml (5 onces) avec le détergent pour tapis et tissus de recouvrement HOOVER.

Pour les planchers à surface dure :

Remplir le capuchon jusqu'à la ligne de remplissage (5 onces) avec le Détergent pour planchers à surface* HOOVER.

Ne pas utiliser le **solution de nettoyage pour planchers à surface dure** sur le tapis ou les tissus de recouvrement.

Éviter d'utiliser n'importe quelle cire avec votre aspirateur SteamVac.

REMARQUE : N'utiliser que des détergents HOOVER.

Ils sont spécialement conçus pour votre appareil SteamVac^{MC}.

*Disponible en option s'il n'est pas inclus avec votre appareil.

Pour les zones très fréquentées :

Pré-traiter avec la nettoyant aérosol pour taches* de HOOVER.

Si vous n'avez pas de la nettoyant aérosol pour taches, doubler la quantité de détergent HOOVER (2 capuchons, ou 10 onces, par réservoir de 1 gallon).

MISE EN GARDE :

Les détergents contiennent des surfactifs anioniques et non ioniques. Éviter tout contact avec la peau et les yeux. En cas de contact avec les yeux, rincer à l'eau froide pendant 15 minutes. S'il y a contact avec la peau, laver à l'eau. Si l'irritation persiste, consulter un médecin.

2-13

Verser le détergent dans le réservoir. Remplir le réservoir jusqu'à la ligne de remplissage (B) (1 gallon, ou 4,5 litres) avec de l'eau chaude.

Pour une performance optimale, **n'utiliser que du détergent nettoyant HOOVER.**

2-14

Si l'anneau de caoutchouc (C) du capuchon est déplacé, le remettre en place, son côté inégal contre le rebord du capuchon (D) tel qu'illustré.

2-15

Replacer le capuchon. **Le faire tourner dans le sens des aiguilles d'une montre jusqu'à son blocage. Le capuchon doit être verrouillé en place afin d'assurer son étanchéité et son bon rendement.**

2-16

Placer le bas du réservoir dans l'appareil et appuyer sur la poignée du réservoir pour le verrouiller en place.

Réservoir de récupération (réservoir inférieur)

Le réservoir de récupération contient la solution sale que l'appareil a ramassée.

Une fois le réservoir plein, le dispositif de fermeture automatique s'activera (voir Figure 2-6). Le réservoir doit alors être vidé.

Vidage du réservoir

Couper l'alimentation électrique de l'appareil.

Pour empêcher toute fuite, retirer le réservoir à solution propre (Fig. 2-10) en enfonçant la poignée du réservoir et en tirant vers l'avant; mettre le réservoir de côté (**éviter de placer le réservoir sur un meuble**).

Appuyer sur la pédale de déblocage du manche (Fig. 2-2) puis abaisser ce dernier jusqu'à ce qu'il repose sur le sol.

2-17

DÉVERROUILLAGE/VERROUILLAGE

Soulever le manche à sa position de transport (verticale) pour **déverrouiller le réservoir** de la base de l'appareil. Soulever le réservoir et le déposer dans un évier ou un drain.

2-18

Pour retirer le couvercle, baisser complètement le manche vers l'arrière du réservoir, puis enlever le couvercle.

Vider le réservoir puis replacer le couvercle.

Pour une succion maximale, il est important que le couvercle du réservoir de récupération soit bien fixé avant l'utilisation de l'appareil.

Soulever la poignée du réservoir à sa position de transport pour le placer à la base de l'appareil. Ramener la poignée complètement vers l'avant pour **verrouiller le manche** en place (voir Fig. 3-5).

Lever le manche jusqu'à sa position verticale puis replacer le réservoir à solution propre (réservoir supérieur).

3. Nettoyage Avant de commencer

a. Bien passer l'aspirateur – Pour les tapis, utiliser un aspirateur avec agitateur pour obtenir de meilleurs résultats. Nettoyer les tissus de recouvrement avec un aspirateur muni des embouts appropriés. Utiliser un bec suceur pour nettoyer les plis et les capitonnages. **Ne pas utiliser l'appareil SteamVac comme un aspirateur à sec.**

b. Pour les tissus de recouvrement, consulter le code de nettoyage – N'utiliser votre appareil SteamVac^{MC} de HOOVER que si le tissu de recouvrement est identifié « W » (nettoyage humide) ou « S/W » (nettoyage aux solvants/à sec ou nettoyage humide). **Éviter de nettoyer les tissus marqués « S » (solvants/à sec seulement).** Si vos tissus de recouvrement ne sont pas marqués, demander l'aide d'un professionnel.

c. Vérifier la solidité des couleurs – Mélanger le détergent et l'eau selon les instructions de la section « Remplissage du réservoir à solution propre » (2-8 à 2-16).

Humecter un linge blanc absorbant avec la solution puis frotter sur une petite

zone cachée du tapis. Attendre 10 minutes, puis vérifier que la couleur ne s'est pas transférée sur le linge et que le tapis a toujours une couleur convenable une fois sec. Si le tapis comporte plus qu'une couleur, les vérifier toutes.

d. Si tout le plancher doit être nettoyé, déplacer les meubles (pas nécessaire si les zones à circulation élevée seulement sont nettoyées). Placer du papier d'aluminium ou du papier ciré sous les pattes des meubles trop lourds pour être déplacés afin que les fins de bois ne tachent pas le tapis. Épingler aussi les rideaux et les franges des meubles.

e. Prétraiter les taches et les zones à circulation élevée avec le nettoyant aérosol pour taches* HOOVER®. Tester de nouveau la solidité des couleurs en vaporisant le produit sur une section cachée. Attendre 10 minutes, puis essuyer avec des essuie-tout ou un linge blanc.

Si aucun changement de couleur n'est visible, vaporiser le nettoyant aérosol pour taches sur les taches et les zones à circulation élevée. Attendre au moins 10 minutes puis utiliser l'aspirateur SteamVac^{MC} pour ramasser le nettoyant aérosol pour taches et la tache. Répéter l'opération jusqu'à ce que la tache soit disparue : si nécessaire, frotter doucement avec une brosse.

Ne pas saturer le tapis ou le recouvrement de la nettoyant aérosol pour taches.

Si vous n'avez pas le nettoyant aérosol pour taches, doubler la quantité de détergent HOOVER (2 capuchons, ou 10 onces, par réservoir de 1 gallon).

Aucune solution nettoyante ne peut enlever toutes les taches de toutes les surfaces. L'efficacité varie selon la nature de la tache, le temps écoulé avant son nettoyage, le type de tapis et le matériel qui le compose.

f. Pour éviter les taches – Utiliser une pellicule de plastique ou du papier d'aluminium pour protéger les surfaces de bois ou de métal du jet d'eau.

g. Pour éviter de détremper et ainsi d'endommager les planchers de bois sous le tapis/la moquette – Placer le tapis sur une surface qui n'est pas en bois ou placer un matériau imperméable (comme du plastique) sous le tapis avant de le nettoyer.

Voir pages 31-33 pour des instructions concernant différentes tâches de nettoyage.

*Vendu séparément si non inclus avec votre modèle.

Après le nettoyage

a. Laisser le tapis sécher. Afin d'éviter de salir le tapis de nouveau, éviter que des enfants ou des animaux y circulent jusqu'à ce qu'il **soit complètement sec. S'il est nécessaire de marcher sur le tapis avant qu'il ne soit sec**, placer des serviettes ou des linges blancs sur la zone où l'on circulera.

Si les meubles doivent être remis en place lorsque le tapis est encore humide, placer une pellicule de plastique ou du papier d'aluminium sous les pattes des meubles afin que les glissières métalliques ou les fins de bois ne tachent pas le tapis ou la moquette.

b. Si désiré, le tapis peut aussi être rincé. **Le rinçage n'est pas nécessaire**, mais il peut améliorer l'apparence de la surface une fois sèche. Au cours du rinçage, s'assurer de ne pas saturer le tapis. **Laisser le tapis sécher complètement entre le nettoyage et le rinçage.** Pour rincer, suivre les mêmes directives que pour le nettoyage, en utilisant toutefois de l'eau chaude sans détergent dans le réservoir à solution propre (réservoir supérieur).

c. Vider les réservoirs, rincer à l'eau propre et laisser sécher à l'air. Rincer le capuchon et le couvercle du réservoir à solution propre puis laisser sécher à l'air.

3-1

d. Retirer les débris du filtre du réservoir de récupération.

e. Si désiré, passer de nouveau l'aspirateur une fois le tapis complètement sec. Ainsi, il ne restera plus aucune trace laissée par les brosses de l'aspirateur.

Nettoyage de la buse

Si de la mousse ou des débris s'accumulent dans la buse, **ne pas enlever le couvercle de la buse.**

Verser une à deux tasses d'eau propre sur une surface dure. **Éviter de verser de l'eau sur un plancher de bois.**

Ramasser l'eau avec l'appareil. Répéter aussi souvent que nécessaire jusqu'à ce que les débris soient enlevés de la buse.

3-2

Certains modèles possèdent un accessoire de nettoyage de la buse pour enlever les débris s'il n'y pas de plancher à surface dure à proximité. Pour utiliser l'accessoire : **Couper l'alimentation électrique de l'appareil.** Glisser l'accessoire dans la buse puis retirer les débris, tel qu'illustré.

Pour nettoyer l'extérieur de l'appareil,

essuyer la saleté avec un linge humecté d'une solution d'eau tiède et de détergent doux. **Ne pas utiliser de solvant ni de produits à base de pétrole pour nettoyer la machine.**

Nettoyage du tapis

Lire la section « Avant de commencer » à la page 30.

1. Remplir le réservoir à solution propre (réservoir supérieur) avec du Détergent pour tapis et tissus de recouvrement HOOVER selon les instructions relatives aux Figures 2-10 à 2-16.

2. Glisser le sélecteur à la position LO pour un nettoyage en douceur ou à la position HI pour un nettoyage normal.

3. Brancher l'appareil dans une **prise correctement mise à la terre.**

Éviter de passer l'appareil sur des prises d'alimentation au sol.

4. Pour éviter d'avoir à marcher sur le tapis humide, commencer le nettoyage à l'extrémité de la pièce la plus loin de la porte ou du chemin vers l'évier où les réservoirs seront vidés et remplis.

Appuyer sur la pédale de déblocage du manche, rabaisser ce dernier jusqu'à sa position de fonctionnement, puis mettre l'appareil en marche.

3-3

5. Appuyer sur la gâchette pour appliquer la solution de nettoyage puis pousser lentement l'appareil vers l'avant (une passe humide).

6. Continuer d'appuyer sur la gâchette et ramener **lentement** l'aspirateur vers soi (deuxième passe humide). Relâcher la gâchette et pousser de nouveau, lentement, l'aspirateur vers l'avant (passe à sec). Ramener **lentement** l'aspirateur vers soi, sans appuyer sur la gâchette (deuxième passe à sec).

7. Chevaucher les passes sur 2,5 cm afin d'éviter tout effet de marquage.

Maintenir la buse à plat sur le plancher pendant les passes avant et arrière.

Pour les surfaces très sales, répéter les étapes 5 à 7.

8. Pour éviter de saturer le tapis, éviter d'effectuer plus de 4 passes humides sur une zone donnée. Toujours terminer avec des passes à sec.

Il est préférable d'alterner les passes humides et à sec, tel que décrit plus haut.

Pour de meilleurs résultats et un séchage plus rapide, terminer le nettoyage avec plusieurs passes à sec. (Répéter les passes à sec jusqu'à ce que très peu d'eau soit visible par le

couvercle du réservoir de récupération.) Vider le réservoir de récupération lorsque le bruit du moteur devient nettement plus aigu et qu'il y a perte de succion (voir « Fermeture automatique », Fig. 2-6).

Une fois le nettoyage terminé, consulter la section « Après le nettoyage ».

Ramassage de liquides renversés

L'appareil SteamVac de HOOVER peut s'utiliser pour ramasser les **faibles quantités de liquide renversé (1 gallon (4,5 L) ou moins, jamais plus de 1/4 po (6 mm) de profondeur) sur un tapis.**

Pour de meilleurs résultats, ramasser immédiatement le liquide renversé en plaçant l'embout pour escaliers/tissus de recouvrement au-dessus de la tache et en aspirant tout résidu à la surface du tapis. Si le liquide n'est pas complètement ramassé, placer l'embout pour escaliers/tissus de recouvrement ou la buse pour plancher devant le liquide renversé. *S'assurer que les brosses ne tournent pas* (position OFF). Amener la buse très lentement vers le liquide, d'abord avec la succion seulement. Répéter, cette fois en vaporisant aussi.

Pendant la ramassage de liquides renversés, n'utiliser la buse qu'avec l'accessoire pour planchers à surface dure en place et le sélecteur de vitesse à la position OFF (ainsi, le liquide ne se répandra pas).

S'il reste une tache, l'embout pour escaliers/tissus de recouvrement convient habituellement mieux pour l'enlever. Bien qu'aucune solution nettoyante ne puisse enlever toutes les taches, on peut traiter celles-ci en suivant les instructions du fabricant du tapis à traiter.

Éviter d'utiliser l'appareil pour ramasser des liquides ou des produits chimiques inflammables ou combustibles.

Une fois le nettoyage terminé, consulter la section « Après le nettoyage » à la page 30.

Nettoyage de planchers à surface dure

Pose de l'accessoire pour planchers à surface dure
Couper l'alimentation électrique de l'appareil.

Afin d'éviter toute fuite possible, retirer le réservoir de solution propre (Fig. 2-10) et le réservoir de récupération (Fig. 2-

17) avant de placer l'embout pour planchers à surface dure. Mettre les réservoirs de côté (éviter de les placer sur un meuble).

1. Placer le manche à sa position verticale, puis incliner l'appareil vers l'arrière de façon à ce que le manche repose sur le sol.

3-4

2. S'assurer que la bande de mousse (A) (située sous le filet) est dans la position illustrée, puis placer l'embout à l'avant de la buse (B). S'assurer que la flèche à l'avant de l'embout pointe dans la direction illustrée.

3-5

3. Placer l'embout contre la buse tout en le faisant tourner vers le bas jusqu'à ce que les deux extrémités se fixent en place (un déclic se fera entendre).

(Remarque : un certain effort peut être requis pour faire tourner l'embout et le fixer en place.)

4. Remettre l'appareil à sa position verticale. Rabaisser le manche et remettre le réservoir de récupération en place.

5. Lever le manche jusqu'à sa position verticale puis replacer le réservoir à solution propre (réservoir supérieur).

Nettoyage du plancher

Lire la section « Avant de commencer » à la page 30.

Éviter d'utiliser l'appareil SteamVac^{MC} sur les planchers de bois franc.

1. Remplir le réservoir de solution propre avec la solution de nettoyage pour plancher à surface dure HOOVER (disponible en option s'il n'est pas inclus avec votre appareil), conformément aux Figures 2-10 à 2-16.

Éviter d'utiliser n'importe quelle cire avec votre aspirateur SteamVac^{MC}.

2. Régler le sélecteur de vitesse à la position LO (BASSE) ou HI (HAUTE) pour le frottage désiré ou à OFF (ARRÊT) si aucun frottage n'est souhaité.

3. S'assurer d'avoir les mains sèches, puis **brancher l'appareil dans une prise correctement mise à la terre.**

4. Appuyer sur la pédale de déblocage du manche, rabaisser ce dernier jusqu'à sa position de fonctionnement, puis mettre l'appareil en marche.

5. Pour appliquer de la solution, appuyer sur la gâchette. Déplacer lentement l'appareil vers l'avant puis l'arrière, au-dessus de la surface à nettoyer.

6. Pour ramasser la solution sale, relâcher la gâchette puis avancer lentement l'appareil au-dessus de la région où la solution vient d'être appliquée. Utiliser des mouvements de va-et-vient.

7. Vider le réservoir de récupération lorsque le bruit du moteur devient nettement plus aigu et qu'il y a perte de succion (voir « Fermeture automatique », Fig. 2-6).

8. Une fois le nettoyage terminé, consulter la section « Après le nettoyage » à la page 30.

Débrancher l'appareil de sa prise d'alimentation électrique. Rincer à l'eau propre. **Éviter d'enlever l'écran de plastique ou de la mousse de l'embout.**

Utilisation des accessoires

3-6

A. L'accessoire portatif à turbine possède des brosses rotatives pour frottement supplémentaire des tapis, des escaliers avec tapis et des tissus de recouvrement. Il est possible d'enlever les brosses pour utiliser le module de frottement.

B. L'embout pour escaliers/tissus de recouvrement comporte une brosse intégrée qui apporte l'action de frottement parfois nécessaire à l'élimination de certaines taches.

C. Le module de frottement avec tampon frottant détachable se fixe à la base de l'accessoire portatif à turbine (au lieu du module de brosse). Il peut s'utiliser pour frotter les taches tenaces comme les marques d'usure, les liquides renversés séchés ainsi que dans les endroits difficiles d'accès sur des planchers à surface dure.

3-7

Pose des accessoires

Couper l'alimentation électrique de l'appareil.

1. Placer le manche à sa position verticale puis retirer le tuyau de son support.

Tous les accessoires se posent de la même façon :

2. Raccorder l'accessoire au tuyau en le glissant dans le connecteur jusqu'à ce que la patte (D) le bloque en place.

Avec le pouce, **enfoncer le verrou (E) et pousser vers l'avant** pour enlever l'accessoire, tel qu'illustré.

32

Avant d'utiliser l'accessoire

Il peut être nécessaire d'enlever l'air du système (« amorcer la pompe ») afin que la solution propre se rende jusqu'à l'accessoire. Voici la démarche :

1. Fixer l'accessoire au tuyau et mettre l'appareil en marche.

2. Placer l'accessoire sur une surface dure ou contre votre main afin de bloquer la succion.

3. Attendre quelques secondes (cela peut prendre jusqu'à 15 secondes). Ensuite, appuyer sur la gâchette et commencer à nettoyer.

Suivre les instructions à la page 33 pour les tâches de nettoyage appropriées.

3-8

Montage du module de frottement

1. Ouvrir le volet du compartiment à accessoires et enlever l'accessoire portatif à turbine.

2. Agripper les côtés du module de brosse et l'enlever de la base (F).

3. Retirer le module de frottement de l'appareil et le fixer à la base.

Remarque : Il peut être nécessaire de faire tourner légèrement le module (G) de façon à l'aligner avec la base.

*compris avec certains modèles

3-9

Utilisation de l'accessoire de frottement

Avec une faible quantité de solution, tester l'accessoire de frottement sur une surface cachée avant de l'utiliser sur la vraie surface. Si aucun changement n'est décelé sur la surface d'essai, poursuivre l'opération décrite ci-dessous.

POUR LES GRANDES SURFACES

1. Remplir le réservoir de solution propre avec la solution de nettoyage pour plancher à surface dure* HOOVER, conformément aux Figures 2-10 à 2-16.

2. Maintenir l'accessoire de frottement au-dessus de la surface à nettoyer et appuyer sur la gâchette pour appliquer la solution.

3. Relâcher la gâchette et frotter avec l'accessoire. Ramasser la solution sale avec un racloir, tel qu'illustré.

NETTOYAGE DE TACHES

1. Appliquer la solution de nettoyage pour plancher à surface dure* avec le vaporisateur.

2. Frotter la tache avec l'accessoire. Ramasser la solution sale avec un racloir, tel qu'illustré.

3-10

Après l'utilisation de l'accessoire de frottement

Pour nettoyer le tampon de frottement, l'enlever du module. Laver à l'eau avec un détergent doux. Rincer puis laisser sécher à l'air.

Le tampon doit être complètement sec avant d'être remis en place sur le module, lequel sera rangé sur l'appareil.

Des tampons de rechange sont aussi disponibles. Demander la pièce **HOOVER n° 40308001.**

Pour ranger le module de frottement, retirer l'accessoire du module de frottement, de la même façon que le module de brosse est enlevé.

Aligner les ouvertures à l'arrière du module avec les pattes dans le compartiment de rangement (H).

Pousser sur le module pour le fixer en place.

3-11

Après l'utilisation de l'accessoire

1. Suivre les étapes « a » et « b » de la section « Après le nettoyage » en page 30.

2. Rincer l'accessoire et le tuyau en remplissant l'évier d'une faible quantité d'eau. Mettre l'appareil en marche et ramasser l'eau à l'aide de l'accessoire.

3-12

3. Drainer le tuyau en mettant l'appareil en marche et en tenant l'extrémité du tuyau pendant plusieurs secondes sans appuyer sur la gâchette.

4. Couper l'alimentation électrique de l'appareil.

5. Drainer le tube de solution (situé à l'intérieur du tuyau) en pointant l'extrémité du tuyau vers l'évier et en appuyant sur la gâchette.

6. Poursuivre avec les étapes « c », « d » et « e » de la section « Après le nettoyage » en page 30.

Nettoyage des escaliers

Lire la section « Avant de commencer » à la page 30.

1. Placer le manche en position verticale. **Les brosses de l'agitateur ne**

tournent pas lorsque le manche est à la verticale.

2. Remplir le réservoir de solution propre avec du Détergent pour tapis et tissus de recouvrement HOOVER, conformément aux Figures 2-10 à 2-16.

3. Fixer l'accessoire à l'extrémité du tuyau.

4. Étant donné la longueur du tuyau, il peut être nécessaire de placer l'appareil en haut des escaliers pour nettoyer la moitié supérieure des marches, et au pied de l'escalier pour nettoyer la moitié inférieure.

Afin d'empêcher l'aspirateur de tomber, faire preuve d'une grande prudence pendant le nettoyage des escaliers.

Ne pas placer l'appareil sur les marches de l'escalier.

Éviter de pointer l'appareil vers des personnes ou des animaux.

5. S'assurer d'avoir les mains sèches avant de brancher l'appareil dans une prise correctement mise à la terre.

6. Mettre l'appareil en marche. Si nécessaire, consulter la section « Avant d'utiliser l'accessoire » pour retirer l'air du système.

3-13

7. Pré-vaporiser les escaliers en gardant l'accessoire (A) ou (B) à environ 2,5 cm au-dessus du tapis et le pousser vers l'avant tout en appuyant sur la gâchette (une passe humide).

8. Appuyer l'accessoire sur la contremarche et l'enfoncer légèrement dans le tapis. Appuyer sur la gâchette et passer de nouveau lentement l'accessoire (deuxième passe humide). Relâcher la gâchette à la fin de la passe.

3-14

9. Lever l'accessoire puis l'appuyer de nouveau sur la contremarche. Ramener l'accessoire vers soi, sans appuyer sur la gâchette (passe à sec).

Il est préférable d'alterner les passes humides et à sec, tel que décrit plus haut. Terminer avec plus de passes à sec afin que le tapis sèche plus rapidement.

10. Chevaucher les passes de 1 cm afin d'éviter les marques.

Pour éviter de saturer le tapis, éviter d'effectuer plus de 4 passes humides sur une zone donnée. Toujours terminer avec des passes à sec.

Si un nettoyage supplémentaire est requis, attendre que le tapis soit

complètement sec avant de réutiliser l'accessoire.

11. Vider le réservoir de récupération lorsque le bruit du moteur devient nettement plus aigu et qu'il y a perte de succion (voir « Fermeture automatique », Fig. 2-6).

Une fois le nettoyage terminé, consulter les sections « Après le nettoyage » à la page 30 et « Après l'utilisation de l'accessoire » à la page 32.

Nettoyage des tissus de recouvrement

Lire la section « Avant de commencer » à la page 30.

S'assurer de vérifier le code de nettoyage du tissu. **N'utiliser l'appareil qu'avec des tissus portant le code « W » ou « W/S ».**

1. Placer le manche en position verticale. **Les brosses de l'agitateur ne tournent pas lorsque le manche est à la verticale.**

2. Remplir le réservoir de solution propre avec du Détergent pour tapis et tissus de recouvrement HOOVER, conformément aux Figures 2-10 à 2-16.

3. Fixer l'accessoire à l'extrémité du tuyau.

Éviter de pointer les accessoires vers des personnes ou des animaux.

4. S'assurer d'avoir les mains sèches, puis brancher l'appareil dans une **prise correctement mise à la terre.**

5. Mettre l'appareil en marche. Si nécessaire, consulter la section « Avant d'utiliser l'accessoire » pour retirer l'air du système.

3-15

6. Appuyer légèrement l'accessoire (A) ou (B) contre le tissu. Appuyer sur la gâchette puis passer la buse sur le tissu.

7. Chevaucher les passes de 1 cm afin d'éviter de laisser des marques.

Effectuer des passes supplémentaires sans appuyer sur la gâchette afin d'enlever le plus d'humidité possible.

8. Pour nettoyer dans les coins ou les plis, soulever l'accessoire à 1 cm du tissu et appuyer sur la gâchette.

9. Aspirer la solution avec l'accessoire sans appuyer sur la gâchette.

3-16

10. Pour les surfaces très sales, il peut être nécessaire de répéter l'opération de nettoyage. Faire des tracés en croix par

rapport au motif du tissu, et chevaucher chaque passe.

Ne pas dépasser 2 passes humides à un même endroit afin d'éviter que la surface soit trop mouillée, ce qui pourrait endommager le tissu.

Si un nettoyage supplémentaire est requis, attendre que le tapis soit complètement sec avant de réutiliser l'accessoire.

11. Vider le réservoir de récupération lorsque le bruit du moteur devient nettement plus aigu et qu'il y a perte de succion (voir « Fermeture automatique », Fig. 2-6).

Une fois le nettoyage terminé, consulter les sections « Après le nettoyage » à la page 30 et « Après l'utilisation de l'accessoire » à la page 32.

4. Entretien Balais amovibles

Votre shampoineuse est équipée de brosses amovibles pour faciliter le nettoyage.

Pour enlever les brosses : Débrancher l'aspirateur de la prise de courant.

Pour éviter les fuites, enlever le réservoir de solution transparente et le réservoir de récupération. Mettre le réservoir de côté.

4-1

Enfoncer le pédale de déclenchement du manche pour abaisser le manche. Retourner l'aspirateur à l'envers.

4-2

Saisir la partie intérieure de la brosse (A) et tirer légèrement sur l'ensemble de la brosse pour avoir accès aux verrous (B).

4-3

Enfoncer les quatre verrous puis retirer le module de brosse. Les brosses peuvent être nettoyées à l'eau courante.

4-4

Pour remplacer les brosses

Aligner les protubérances (C) aux deux extrémités de l'ensemble de la brosse avec les encoches (D) dans le boîtier de l'aspirateur. S'assurer que la protubérance carrée (E) est aussi alignée dans le trou carré (F). Faire tourner un peu les brosses jusqu'à ce que la protubérance entre facilement dans le trou.

4-5

Appuyer fermement sur l'ensemble de la brosse jusqu'à ce qu'il s'enclenche en place.

Rangement

Avant de ranger l'appareil :

- Vider le réservoir à solution propre et bien rincer à l'eau propre.
- Replacer le réservoir et mettre l'appareil en marche. Appuyer sur la gâchette, pousser puis tirer l'appareil plusieurs fois pour évacuer toute solution encore dans l'appareil. (Ne pas utiliser l'appareil sur des planchers de bois.)
- Vider le réservoir à solution propre et bien rincer à l'eau propre.

Laisser les brosses et le dessous de l'appareil bien sécher à l'air libre avant de le ranger sur une surface avec tapis ou en bois.

Éviter de ranger l'appareil avec le réservoir à solution propre encore plein.

Lubrification

Le moteur est pourvu de paliers suffisamment lubrifiés pour toute la durée de vie du moteur. Toute lubrification supplémentaire pourrait causer des dommages. **Éviter d'ajouter du lubrifiant aux paliers du moteur.**

5.

Dépannage

Si un problème d'ordre mineur survient, il peut habituellement être résolu très facilement. Il suffit de consulter la liste ci-dessous pour en trouver la cause.

PROBLÈME : L'aspirateur refuse de fonctionner

Cause possible

Solution possible

- **L'appareil est mal branché.**
- *Bien enfoncer la prise mâle dans la prise d'alimentation.*
- **La prise d'alimentation ne fournit aucune tension.**
- Vérifier le fusible ou le disjoncteur.
- **Fusible grillé/disjoncteur déclenché.**
- *Remplacer le fusible/réenclencher le disjoncteur.*

PROBLÈME : L'appareil aspire mal

Cause possible

Solution possible

- **Le dispositif de fermeture automatique s'est déclenché.**

- *Enlever puis vider le réservoir de récupération.*
- **Il y a obstruction dans l'accessoire ou le tuyau.**
- *Retirer l'accessoire et enlever l'obstruction.*
- **Le couvercle du réservoir de récupération est mal fixé.**
- *S'assurer que le couvercle est bien en place.*

PROBLÈME : L'appareil refuse d'appliquer la solution propre

Cause possible

Solution possible

- **Le réservoir à solution propre est mal fixé.**
- *S'assurer que le réservoir est bien fixé en place.*
- **Le réservoir à solution propre est vide.**
- *Remplir le réservoir selon les instructions relatives à la surface à nettoyer.*
- **Le couvercle du réservoir de récupération est mal fixé.**
- *S'assurer que le couvercle est bien en place.*
- **La pompe doit être amorcée (pendant l'utilisation de l'accessoire).**
- *Consulter la section « Avant d'utiliser l'accessoire », p. 32.*

PROBLÈME : Les brosses/l'indicateur de rotation des brosses ne tournent pas lorsque l'appareil est en marche

Cause possible

Solution possible

- **L'écran de l'indicateur est sale.**
- *Enlever le couvercle au-dessus de l'indicateur et nettoyer l'écran.*
- **Le sélecteur de vitesse est à la position OFF.**
- *Régler le sélecteur à LO ou à HI.*

Service autorisé

Pour obtenir le service autorisé HOOVER ou des pièces d'origine HOOVER, il vous faut l'adresse du Centre de service en usine Hoover ou de l'atelier de service garanti autorisé Hoover (dépôt) le plus près de chez vous. Pour ce faire, vous pouvez :

- Consulter les Pages Jaunes sous la rubrique " Aspirateurs domestiques - Vente & Service ", OU
- Vérifier la liste des Centres de vente et de service des usines fournie avec cet appareil, OU
- Composer le 1-800-944-9200 pour écouter un message vous indiquant les adresses des Centres de service autorisés (É.-U. seulement).

Prière de ne pas envoyer votre appareil à l'adresse de North Canton, Ohio pour qu'il soit réparé. Il n'en résulterait que des délais supplémentaires.

Si d'autres renseignements sont requis, communiquer avec le Centre d'aide à la clientèle Hoover, Téléphone : (330) 499-9499.

Au Canada, s'adresser à Hoover Canada, Burlington, Ontario L7R 4A8, au 1-800-263-6376.

Au moment de demander des renseignements ou de commander des pièces, toujours identifier l'appareil par son numéro de modèle complet. (Le numéro se trouve au bas de l'aspirateur.)

Garantie complète de un an

(Usage domestique)

Votre appareil HOOVER® est garanti dans des conditions d'usage domestique, tel que stipulé dans le guide de l'utilisateur, contre les défauts de matériau et de fabrication pendant un an après la date d'achat original. Cette garantie vous offre, sans frais supplémentaires, les pièces et la main-d'œuvre nécessaires à la remise de l'appareil en bon état de fonctionnement au cours de la période garantie. La présente garantie s'applique si l'appareil a été acheté aux États-Unis, ce qui comprend ses territoires et possessions, au Canada ou par l'intermédiaire du programme d'échanges militaires américain.

Les appareils achetés ailleurs sont couverts par une garantie limitée de un an qui couvre le coût des pièces seulement. La présente garantie ne s'applique pas si l'appareil est utilisé à des fins commerciales ou de location.

Cette garantie ne s'applique que si l'appareil est utilisé dans le pays ou le territoire où il a été acheté.

Le service couvert par la garantie ne peut être obtenu qu'en envoyant l'appareil à l'un des points de service autorisés ci-dessous. Une preuve d'achat sera exigée avant que toute réparation soit effectuée.

1. Centres de vente et de service Hoover
2. Atelier de service garanti autorisé Hoover (dépôt).

Pour accéder à un service d'aide automatique qui vous donnera la liste des centres de service autorisés Hoover aux États-Unis, composer le 1-800-944-9200, OU

Cette garantie ne couvre ni l'enlèvement de l'appareil, ni sa livraison, ni les appels à domicile. Toutefois, si vous envoyez l'appareil par la poste à un centre de service Hoover pour une réparation couverte par la garantie, les frais de retour de l'appareil seront couverts.

Cette garantie vous confère des droits légaux spécifiques. Il se peut que vous bénéficiiez d'autres droits, lesquels varieront selon la juridiction.

Pour de plus amples informations, ou en cas de questions sur la présente garantie ou l'emplacement des différents centres de service, composer le numéro indiqué : Consumer Response Center, Téléphone : 1-330-499-9499.

Au Canada, s'adresser à Hoover Canada, Burlington, Ontario L7R 4A8
Téléphone : 1-800-263-6376.



PARTS & ACCESSORIES MAIL ORDER FORM

Detach this section and mail to:
THE HOOVER COMPANY
101 East Maple St.
North Canton, OH 44720
Attn: Sales & Service Center

| Item Description | Part No. | No. in Pack | Cost/Per Pack | No. of Packs | TOTAL |
|--|----------|-------------|---------------|--------------|----------------|
| Deep Cleansing Carpet/Upholstery Detergent - 128 oz. | 40321128 | 1 | \$21.99 | | |
| | 40321048 | 1 | \$11.99 | | |
| Ultra Carpet/Upholstery Detergent-48 oz. | 40301448 | 1 | \$15.99 | | |
| Orange Essence™ Carpet/Upholstery Detergent - 48 oz. | 40321049 | 1 | \$12.99 | | |
| Spot and Stain Cleaner - 32 oz. | 40322032 | 1 | \$13.99 | | |
| | 40322016 | 1 | \$ 8.59 | | |
| Premium Pet Formula Carpet/Upholstery Detergent - 48 oz. | 40321050 | 1 | \$14.99 | | |
| Pet Stain & Odor Remover - 32 oz. | 40325032 | 1 | \$15.99 | | |
| Floor-to-Floor Hard Floor Cleaning Solution - 32 oz. | 40303032 | 1 | \$ 7.99 | | |
| Scrub Pads (for Scrub Module) | 40308002 | 2 | \$ 5.29 | | |
| Bare Floor Cleaning Tool | 48417003 | 1 | \$ 7.99 | | |
| Nozzle Clean-out Tool | 39514001 | 1 | \$ 2.49 | | |
| TOTAL MERCHANDISE | | | | | \$ |
| ADD YOUR APPLICABLE STATE TAX + | | | | | |
| SHIPPING & HANDLING + | | | | | \$ 7.50 |
| TOTAL COST | | | | | \$ |

Replacement parts and accessory items may be purchased from your Authorized Hoover Dealer, Leading Retailers, Hoover Sales & Service Centers, on-line at www.hoover.com, or by completing this order form.

Mail orders limited to U.S. residents only.

Please allow 3-4 weeks for delivery.

The Hoover Company,
101 East Maple St.,
North Canton, OH 44720
Attn: Sales & Service Center

| Part No. | Cost Per Pack | No. of Packs | Total |
|--|---------------|--------------|----------------|
| 40321128 | \$21.99 | | |
| 40321048 | \$11.99 | | |
| 40301448 | \$15.99 | | |
| 40321049 | \$12.99 | | |
| 40322032 | \$13.99 | | |
| 40322016 | \$ 8.59 | | |
| 40321050 | \$14.99 | | |
| 40325032 | \$15.99 | | |
| 40303032 | \$ 7.99 | | |
| 40308002 | \$ 5.29 | | |
| 48417003 | \$ 7.99 | | |
| 39514001 | \$ 2.49 | | |
| TOTAL MERCHANDISE | | | \$ |
| ADD YOUR APPLICABLE STATE TAX + | | | |
| SHIPPING & HANDLING + | | | \$ 7.50 |
| TOTAL COST | | | \$ |

SHIP TO: Please print your name and address carefully in ink.

Name _____
Street _____
City _____
State _____ Zip _____

PAYMENT METHOD:

Check or Money Order made payable to:

The Hoover Company

Visa MasterCard Discover

Number _____ Exp. Date _____

Name on Card _____

Signature (Required) _____

R4 5-06 58549036

Daytime Phone & Area Code _____

Desprenda esta sección y envíela por correo a:
THE HOOVER COMPANY
 101 East Maple St.
 North Canton, OH 44720

| Número de pieza | Costo/por Paqte. | No. en Paqte. | Total |
|--|------------------|---------------|---------------|
| 40321128 | \$21.99 | | |
| 40321048 | \$11.99 | | |
| 40301448 | \$15.99 | | |
| 40321049 | \$12.99 | | |
| 40322032 | \$13.99 | | |
| 40322016 | \$ 8.59 | | |
| 40321050 | \$14.99 | | |
| 40325032 | \$15.99 | | |
| 40303032 | \$ 7.99 | | |
| 40308002 | \$ 5.29 | | |
| 48417003 | \$ 7.99 | | |
| 39514001 | \$ 2.49 | | |
| MERCANCIA TOTAL | | | \$ |
| AÑADA SU IMPUESTO ESTATAL CORRESPONDIENTE + | | | |
| GASTOS DE ENVIO + | | | \$7.50 |
| COSTO TOTAL | | | \$ |

ENVIAR A:

Escriba su nombre y dirección en letra de imprenta con bolígrafo.

Nombre y Apellido _____
 Calle _____
 Ciudad _____
 Estado _____ Código postal _____

FORMA DE PAGO:

- Cheque o giro postal pagadero a: **The Hoover Company**
- Visa MasterCard Discover

No. tarjeta _____ Fecha de venc. _____
 Nombre en la tarjeta _____
 Firma (Requerida) _____
 Teléfono diurno y código de área _____



FORMULARIO DE PEDIDO DE PIEZAS Y ACCESORIOS POR CORREO

| Descripción del artículo | Número de pieza | No. en Paqte. | Costo/por Paqte. | No. de Paqte. | TOTAL |
|---|----------------------|---------------|--------------------|---------------|-------|
| Detergente para limpieza profunda de alfombras y tapicería - 128 oz. 48 oz. | 40321128 40321048 | 1 1 | \$21.99 \$11.99 | | |
| Detergente Ultra para alfombras y tapicería - 48 oz. | 40301448 | 1 | \$15.99 | | |
| Detergente Orange essence™ con esencia de naranja para alfombras y tapicería-48 oz. | 40321049 | 1 | \$12.99 | | |
| Limpiador para manchas - 32 oz. 16 oz. | 40322032 40322016 | 1 1 | \$13.99 \$ 8.59 | | |
| Detergente de gran calidad formulado para manchas de mascotas en alfombras y tapicería-48 oz. | 40321050 | 1 | \$14.99 | | |
| Rociador para eliminar manchas y olores y causados por los mascotas-32 oz | 40325032 | 1 | \$15.99 | | |
| Solución limpiadora para pisos Floor-to-Floor™ - 32 oz. | 40303032 | 1 | \$ 7.99 | | |
| Almohadillas para refregar | 40308002 | 2 | \$ 5.29 | | |
| Accesorio para limpiar pisos desnudos | 48417003 | 1 | \$ 7.99 | | |
| Tornillo de la herramienta de limpieza de la boquilla | 39514001 | 1 | \$ 2.49 | | |

MERCANCIA TOTAL

\$

AÑADA SU IMPUESTO ESTATAL CORRESPONDIENTE +

GASTOS DE ENVIO + \$ **7.50**

COSTO TOTAL \$

Las piezas y accesorios de repuesto se pueden comprar a través del concesionario autorizado de Hoover, las principales tiendas, los Centros de ventas y servicio de Hoover, en Internet en www.hoover.com, o rellenoando este formulario de pedido.

Se aceptan pedidos hechos por correo de residentes de EE.UU. solamente.

Permita de 3 a 4 semanas para la entrega.

The Hoover Company,
 101 East Maple St.,
 North Canton, OH 44720
 Attn: Sales & Service Center

HOOVER y  son marcas registradas

HOOVER et  sont des marques déposées

HOOVER and  are registered trademarks