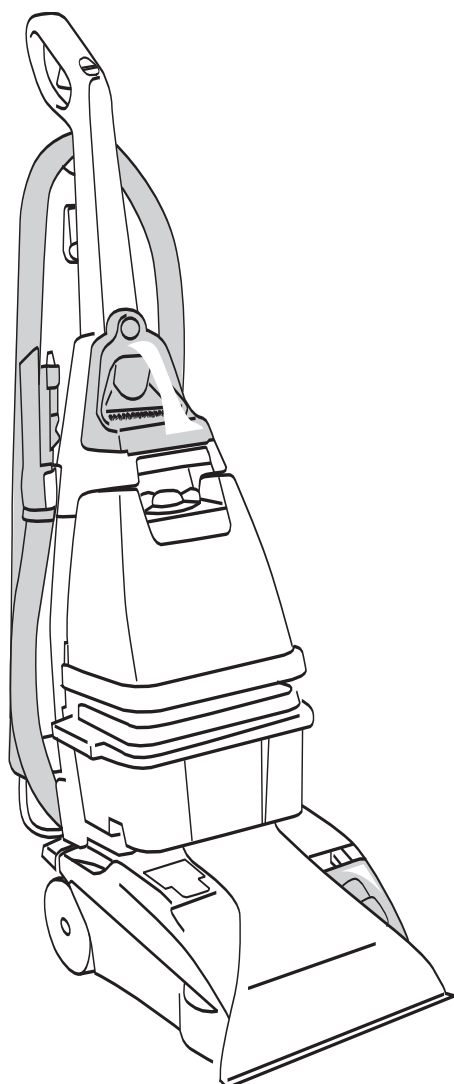


# HOOVER® SteamVac™

Owner's  
Manual



with Clean Surge™  
**The Easy to Use Carpet Cleaner**  
with attached tools



ENGLISH → pp. 1-16  
ESPAÑOL → pág. 17-25  
FRANÇAIS → p. 26-35

## Contents

Important safeguards .....	2
Parts needed for assembly .....	3
Assembling carpet cleaner .....	3-5
Carpet cleaner description .....	6
General operation .....	6-9
Filling the clean solution tank ..	7-8
Emptying the recovery tank ..	8-9
Brush speed selector .....	7
Brush Indicator .....	7
How to use	
Before you begin .....	9
After cleaning .....	9-10
Cleaning carpet .....	10
Picking up spills .....	10
Cleaning bare floors .....	10-11
Using the tools .....	11-14
Cleaning carpeted stairs .....	13
Cleaning upholstery .....	13-14
If you have a problem .....	15
Lubrication .....	15
Service .....	16
Storage .....	16
Warranty .....	16
Parts & accessories mail order form .....	35

**HOOVER® SteamVac™ cleans carpet fibers by applying, scrubbing and removing hot tap water and cleaning solution.**



# Review this manual before operating carpet cleaner

## Important Safeguards!

When using an electrical appliance, always follow basic precautions, including the following:

READ ALL INSTRUCTIONS BEFORE USING APPLIANCE.

**WARNING:** To reduce the risk of fire, electric shock, or injury:

- Use indoors only.
- Use only on surfaces moistened by the cleaning process or small spills. Do not immerse product.
- Connect to a properly grounded outlet only. See "Grounding Instructions".
- Do not clean over floor electrical outlets.
- Do not use without tanks in place.
- Use extra care when cleaning on stairs. Do not place carpet cleaner on stairs.
- Use carpet cleaner only for its intended use as described in the instructions.
- Use only attachments recommended by Hoover; others may cause hazards.
- The use of an extension cord is not recommended. If an extension cord is absolutely necessary, use at least a 16 gauge 3-wire cord which has a 3-prong grounding type plug and a 3-pole receptacle that accepts the machine plug.
- Unplug carpet cleaner when not in use. Turn off all controls before unplugging.
- Unplug before connecting the powered hand tool.
- Always disconnect cord from electrical outlet before servicing the carpet cleaner.
- Do not unplug by pulling on cord. To unplug, grasp the plug, not the cord.
- Never handle plug or appliance with wet hands.
- Do not pull or carry by cord, use cord as a handle, close door on cord or pull cord around sharp edges or corners. Do not run appliance over cord. Keep cord away from heated surfaces.
- Do not use with damaged cord or plug. If appliance is not working as it should, has been dropped, damaged, left outdoors, or dropped into water, take it to a Hoover Sales and Service Center or Authorized Hoover Warranty Service Dealer.
- Close supervision is necessary when any appliance is used by or near children. Do not allow carpet cleaner to be used as a toy or to run unattended at any time.
- Do not point tools toward people or pets.
- Use only commercially available floor cleaners intended for machine application. Do not use any type of wax with carpet cleaner.
- When using recommended chemicals with this machine, be certain area is well ventilated.
- To assist in reducing drying time, be certain the area is well ventilated when using detergents and other cleaners with this machine.
- Keep detergents and other cleaners out of children's reach.
- Do not use to pick up flammable or combustible liquids such as gasoline or use in areas where they may be present.
- Do not pick up chlorine bleach, drain cleaner, gasoline or any other toxic material with this appliance.
- Do not pick up anything that is burning or smoking, such as cigarettes, matches, or hot ashes.
- Avoid picking up hard, sharp objects with the carpet cleaner. They may damage the machine.
- Keep hair, loose clothing, fingers, feet and all parts of body away from openings and moving parts.
- Do not put any object into openings. Do not use with any opening blocked; keep free of dust, lint, hair, and anything that may reduce air flow.
- To help prevent matting and resoiling, avoid contact with carpets until they are dry. Keep children and pets away from carpets until they are completely dry.
- Store in a dry place. Do not expose machine to freezing temperatures.

## Save these instructions!

### Fill in and Retain

This HOOVER carpet cleaner is designed for cleaning carpet, rugs, carpeted stairs and upholstery.

The model and serial numbers are located on the data label on the back of the handle.

For your personal records, please enter the COMPLETE model and serial numbers in the spaces provided and retain this information.

Your carpet cleaner is model no. \_\_\_\_\_ and has serial no. \_\_\_\_\_

It is suggested that you attach your sales receipt to this owner's manual.

Verification of date of purchase may be required for warranty service of your Hoover product.

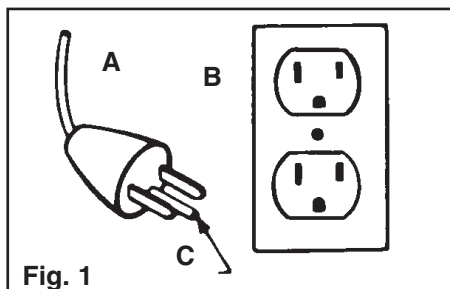
## Thank you for choosing a HOOVER product.

### If you need any assistance:

Visit our website at [hoover.com](http://hoover.com). Click on the "Service" button to find the service outlet nearest you OR  
 Call **1-800-944-9200** for an automated referral of service outlet locations (U.S. only) OR  
 Call 1-800-263-6376 to speak with a representative in our Consumer Response Center, Mon-Fri 8am-7pm EST.

**PLEASE DO NOT RETURN THIS PRODUCT TO THE STORE.**

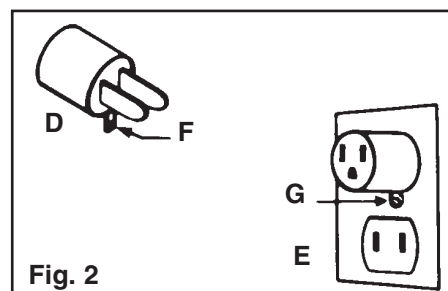
## Grounding Instructions



This appliance must be grounded. If it should malfunction or breakdown, grounding provides a path of least resistance for electrical current to reduce the risk of electric shock. This appliance is equipped with a cord having an equipment-grounding conductor (C) and grounding plug (A). The plug must be plugged into an appropriate outlet (B) that is properly installed and grounded in accordance with all local codes and ordinances.

## DANGER-

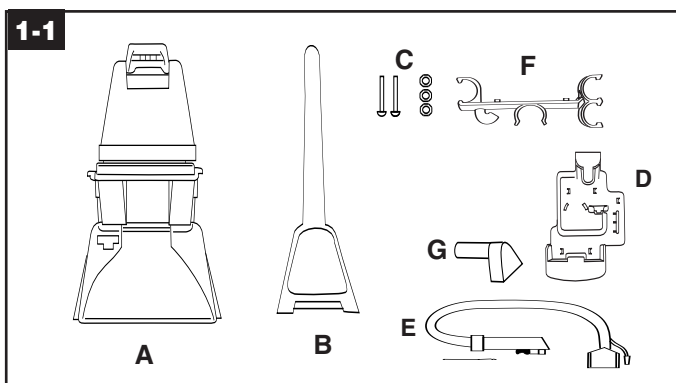
Improper connection of the equipment-grounding conductor can result in the risk of electric shock. Check with a qualified electrician or service person if you are in doubt as to whether the outlet is properly grounded. Do not modify the plug provided with the appliance - if it will not fit the outlet, have a proper outlet installed by a qualified electrician. This appliance is for use on a nominal 120 volt circuit and has a grounding plug that looks like the plug (A) illustrated in sketch (Fig. 1).



A temporary adapter (D) may be used to connect this plug to a 2-pole receptacle (E) if a properly grounded outlet is not available (Fig. 2). The temporary adapter should be used only until a properly grounded outlet (B) can be installed by a qualified electrician (Fig. 1). The green colored rigid ear, lug, or the like (F) extending from the adapter must be connected to a permanent ground (G) such as a properly grounded outlet box cover (Fig. 2). Whenever the adapter is used, it must be held in place by a metal screw. **NOTE:** In Canada, the use of a temporary adapter is not permitted by the Canadian Electrical Code.

## 1. Assembly

### Carton contents



- A. Carpet cleaner
- B. Upper handle
- C. Handle bolts and nuts
- D. Tool holder with screw
- E. Hose
- F. Hose holder
- G. Stair/upholstery nozzle

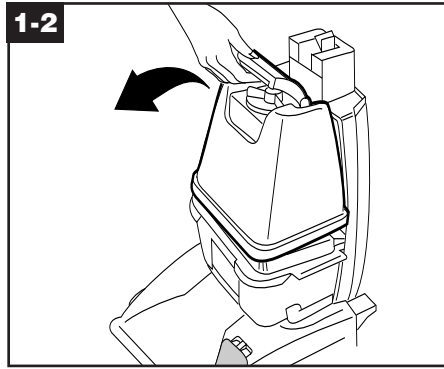
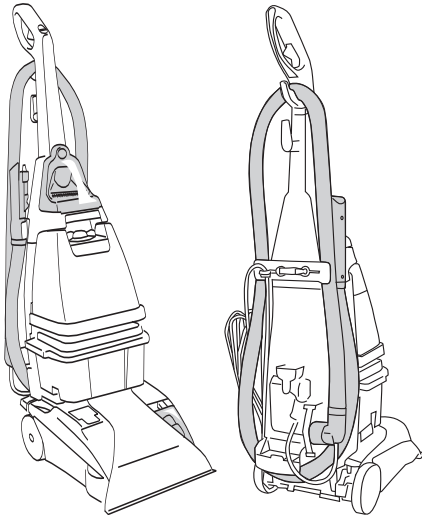
### Accessories



H. Carpet/Upholstery Detergent

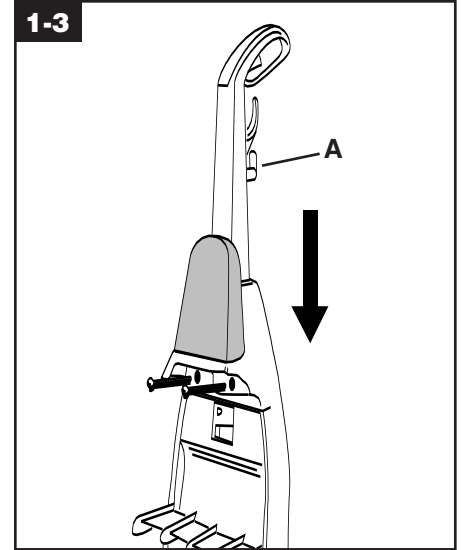
Additional accessories not included with your model may be purchased separately using the order form located at the back of this manual.

The assembled cleaner will look like this drawing.

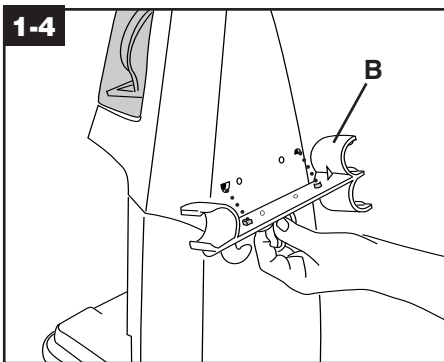


### 1-2 Attach upper handle

Remove clean solution tank (upper tank) from carpet cleaner.

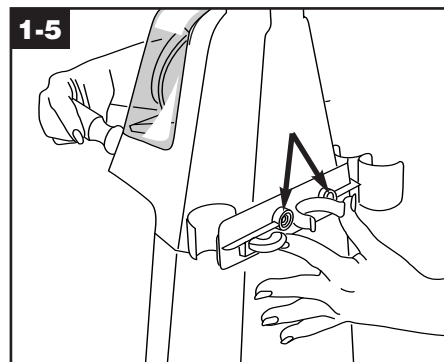


With cord hook (A) to back of carpet cleaner, push upper handle down onto lower handle. Push **bolts** into holes on **front of handle**. If bolts will not go through hole easily handle is not pushed completely down.

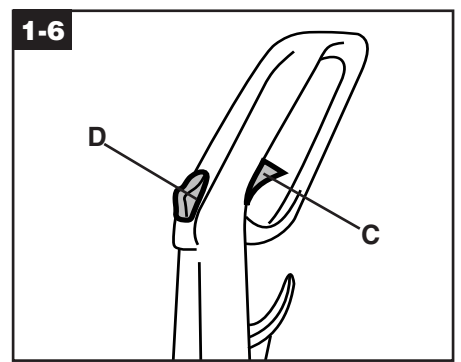


### 1-4 Attach hose holder

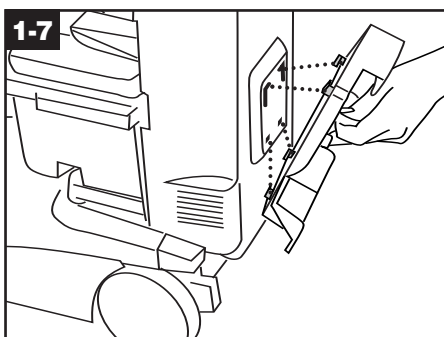
Position hose holder (B) onto handle by matching tabs on rack with openings on back of handle. Make sure bolts are through holes.



Place **nuts** in recessed areas on **back of hose holder**. Hold each nut in place while tightening each bolt securely (from the front of the handle) with a Phillips screwdriver. Only two nuts are needed on this model. The extra nut is not required but has been provided for your convenience.

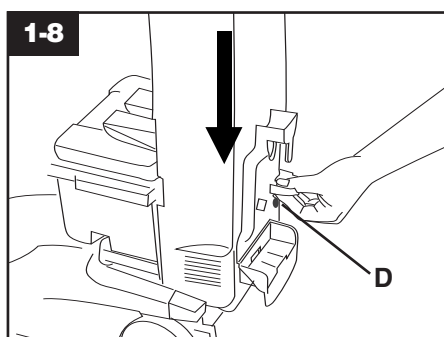


When handle sections are completely together, squeeze trigger (C) and depress Clean Surge™ button (D) on upper handle. You will hear a “snap” when the trigger rod is in place.

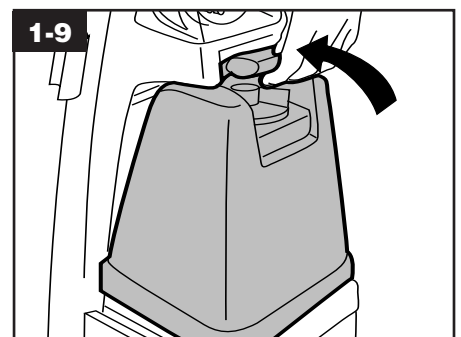


### 1-7 Attach tool holder

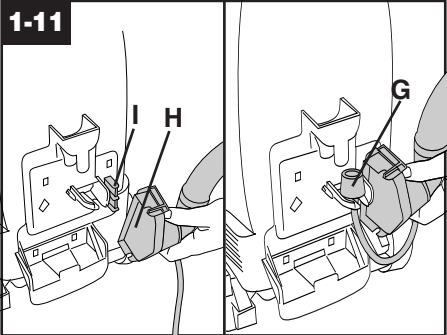
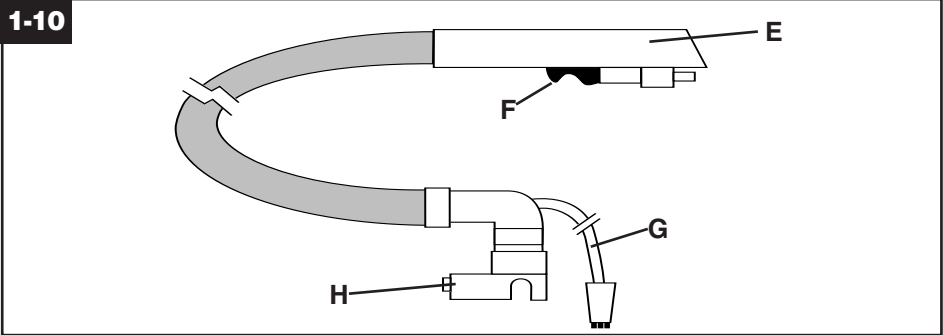
Remove tool and taped screw from holder. Insert projections on holder into slots on back of cleaner.



Slide holder down into place. Insert screw at (D) and tighten with a Phillips screwdriver.



Replace clean solution tank (upper tank) by positioning bottom first. Press on tank handle to snap top of tank into place.



## Storing hose

Stretch hose out and identify ends.

**E. Nozzle connector end of hose**

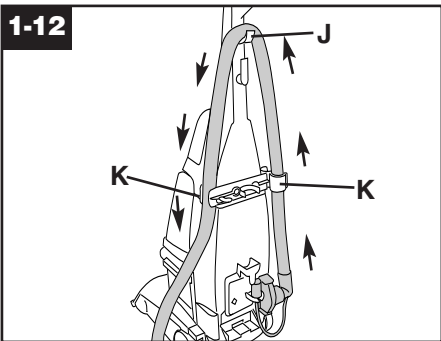
**F. Trigger**

**G. Solution tube**

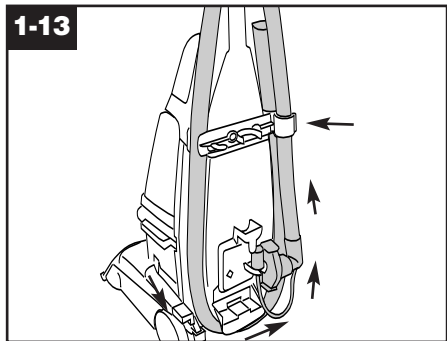
**H. Converter end of hose**

**Note:** You may find it helpful when storing the hose to refer to the **information on the back of the carpet cleaner and on the converter end of the hose.**

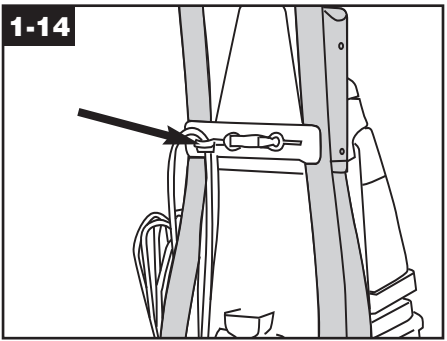
Start with converter end of hose (H). Fit converter over tab near tool holder (I). Press converter firmly to snap in place. Press solution tube (G) into clip next to converter as shown.



Wrap hose around hook on upper handle (J). Press hose into clips on upper hose holder (K).

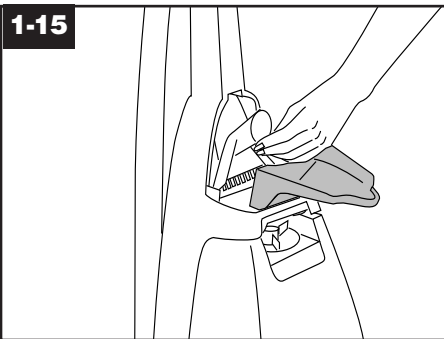


Wrap hose around lower tool holder and continue until nozzle connector is near upper hose holder. Clip hose in place.



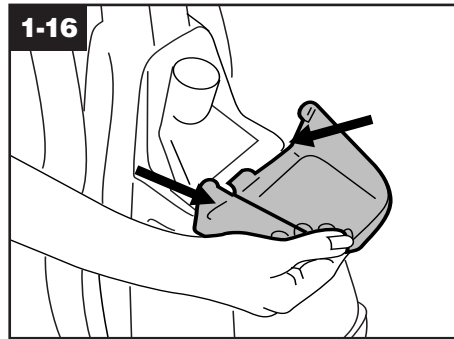
Press cord into cord clip on back of hose holder. Pull cord tight.

## Upfront tool storage



### Stair/upholstery nozzle

To store stair/upholstery nozzle, open tool door, place nozzle in bracket and fit it securely into position. To remove, reverse this procedure.



### How to reattach tool cover

The tool cover is designed with a break-away feature which allows it to snap free if it is pushed open too far.

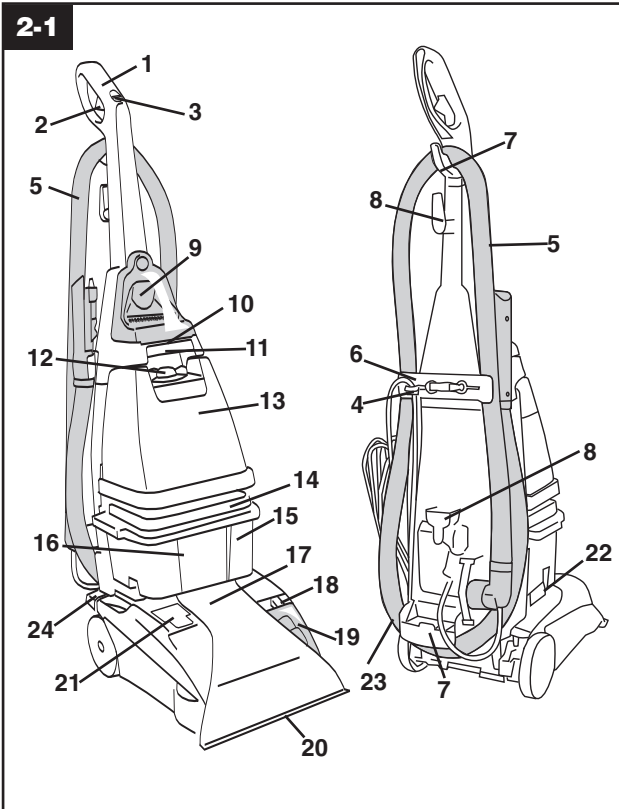
To reattach, align hinges of cover with slots on sides of tool storage area.

Push cover down to secure in place.

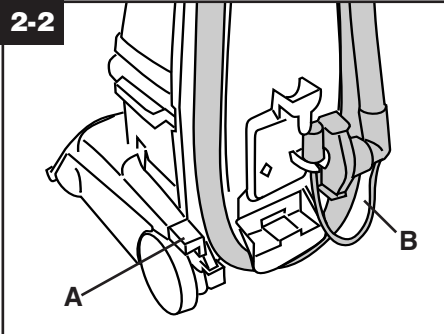
## 2. How to use

### Carpet cleaner description

The assembled carpet cleaner will look like the drawing.



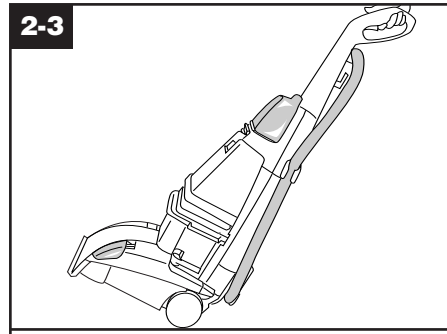
1. **Hand grip**
  2. **Solution trigger:** press to release clean solution.
  3. **Clean Surge™ button**
  4. **Cord clip:** place cord in clip to keep it out of the way when using cleaner
  5. **Hose**
  6. **Hose holder:** wrap hose around holder and hooks for storage.
  7. **Hose hooks**
  8. **Cord hooks:** wrap cord around hooks for storage. The top hook can be rotated right or left for quick and easy cord release.
  9. **Stair/upholstery nozzle**
  10. **Carrying handle**
  11. **Clean solution tank handle**
  12. **Clean solution tank cap/measuring cup**
  13. **Clean solution tank:** holds cleaning solution.
  14. **Recovery tank lid**
  15. **Recovery tank:** holds dirty solution.
  16. **Recovery tank front panel**
  17. **Hood**
  18. **Brush speed selector:** slide selector to set brush speed on HI, LO, or OFF.
  19. **Brush Indicator:** spins when brushes are rotating.
  20. **Nozzle**
  21. **Solution tube connection**
  22. **Recovery tank latches**
  23. **ON/OFF pedal**
  24. **Handle release pedal:** step on pedal to lower handle to operating (floor) position.
- This carpet cleaner is intended for household use.**
- Operate carpet cleaner only at voltage specified on data plate on back of cleaner. Plug carpet cleaner into a properly grounded outlet.**



#### ON/OFF pedal & Handle release pedal

Step on pedal (A) to turn carpet cleaner on. Step on pedal again to turn carpet cleaner off.

Step on pedal (B) to lower handle to operating position. Handle does not lock into a single position but “floats” to allow convenient operation.

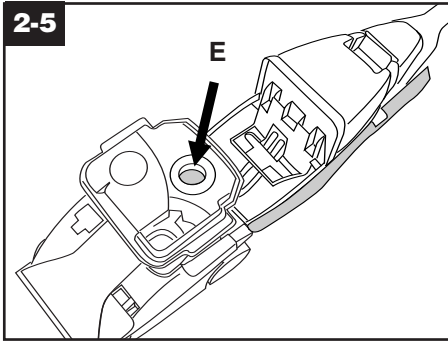


#### To transport

To move your carpet cleaner from room to room put handle in upright and locked position tilt carpet cleaner back on wheels and push forward.



The carpet cleaner may also be lifted by placing a hand under the upper clean solution tank handle as shown.



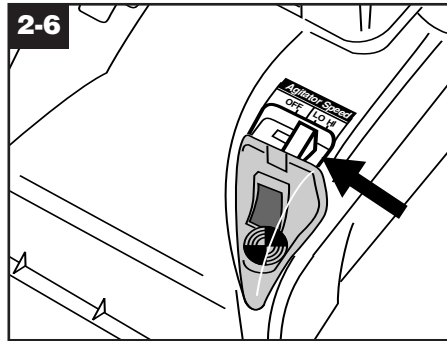
### Automatic “shut off”

When the recovery tank (lower tank) is full the automatic shutoff mechanism will shut off the carpet cleaner suction (**suction will be noticeably reduced**).

At that time the yellow float disk will rise to the top of the recovery tank lid (E). The carpet cleaner will no longer pick up dirty solution and the **motor sound will become noticeably higher in pitch**.

**When this happens turn carpet cleaner off and empty recovery tank** before continuing use.

Check clean solution tank also; it may need to be refilled.



### Brush speed selector

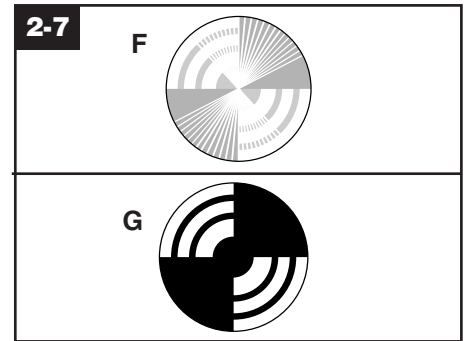
Your SteamVac™ carpet cleaner has three agitator brush settings.

**HI** - for normal cleaning of carpet and bare floors

**LO** - for gentle cleaning of carpets and bare floors

**OFF** - for cleaning carpets and bare floors when brushing is not desired. (Such as when picking up liquid spills. See page 11.)

Slide selector button to the desired setting before cleaning.



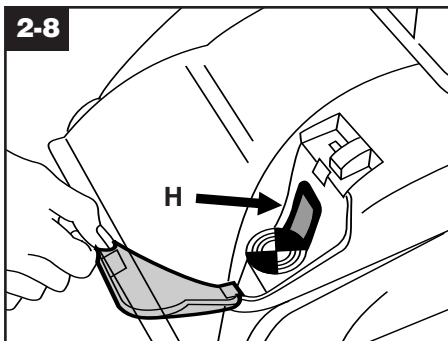
### Brush indicator

The brush indicator will spin (F) when the carpet cleaner is turned ON and the brushes are rotating.

**If the indicator does not spin and the pattern is visible (G) when the carpet cleaner is turned ON, the brushes are not rotating.**

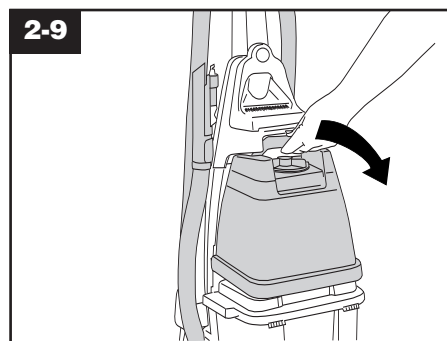
There are three reasons why the brushes may not be rotating:

1. Brush speed selector set on OFF (see previous section).
2. Solution tube connected (Fig. 3-10).
3. Brush indicator screen dirty (Fig. 2-8).



To clean screen (H), **turn carpet cleaner off and disconnect from electrical outlet**.

Remove clear cover and wipe off screen with a damp cloth. Snap cover back into position.



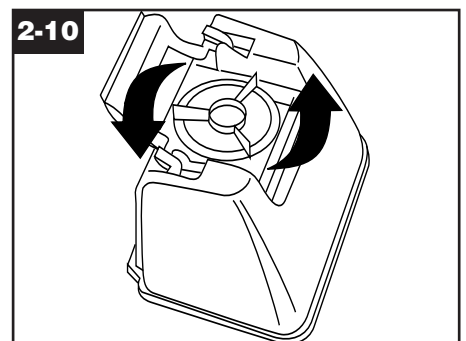
### The tanks Clean solution tank (upper tank)

The clean solution tank holds the cleaning solution that is to be dispersed onto the surface to be cleaned.

#### How to fill Disconnect carpet cleaner from electrical outlet.

Place carpet cleaner handle in the upright, locked position.

To remove tank, press down on handle and pull forward.

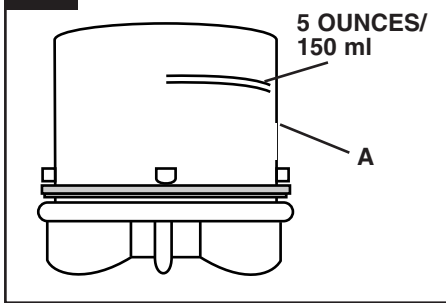


Carry tank to a sink.

Rotate tank cap counterclockwise and lift up to remove cap.



2-11



Turn cap (A) upside down to serve as a measuring cup.

Using cap, measure detergent following the chart below.

**For carpet, carpeted stairs and upholstery:**

Fill cap to **fill line** (5 ounces) with HOOVER **Carpet/Upholstery Detergent**.

**For bare floors:**

Fill cap to **fill line** (5 ounces) with HOOVER **Hard Floor Cleaning Solution\***.

Do not use Hard Floor Cleaning Solution on carpet or upholstery. **Do not use any type of wax with your SteamVac™ carpet cleaner.**

**NOTE: Use only HOOVER detergents.** They are specially formulated for use with your SteamVac™ carpet cleaner.

\*Available at additional cost if not included with your model.

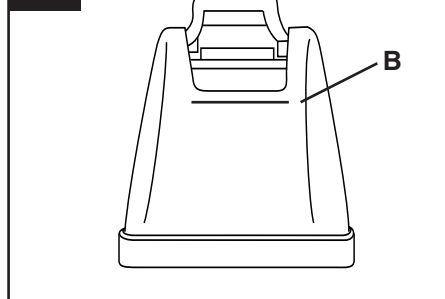
**For heavy traffic areas:**

**Pre-treat with HOOVER Spot and Stain Spray Cleaner.**

**If you do not have access to the Spot and Stain Spray Cleaner, double the amount of HOOVER Carpet/ Upholstery Detergent (use 2 capfuls or 10 ounces per 1 gallon tank).**

**CAUTION: Detergents contain Anionic and Nonionic Surfactants. Avoid contact with eyes and skin. In case of contact with eyes, flush with cold water for 15 minutes. In case of contact with skin, wash with water. If Irritation persists, call a physician.**

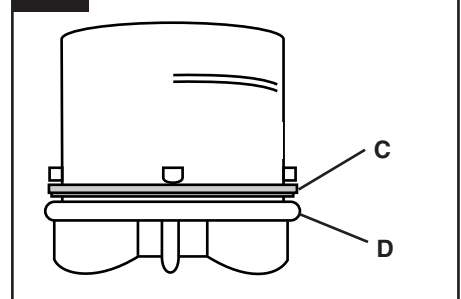
2-12



**Pour detergent into tank. Fill tank to fill line (B) (1 gallon) with hot tap water.**

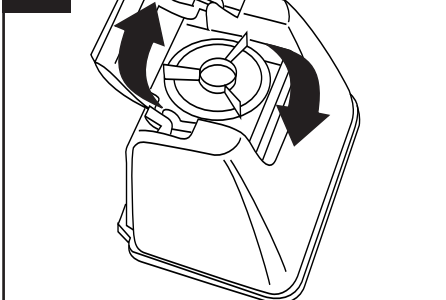
To assure proper performance, **use only HOOVER cleaning detergent.**

2-13



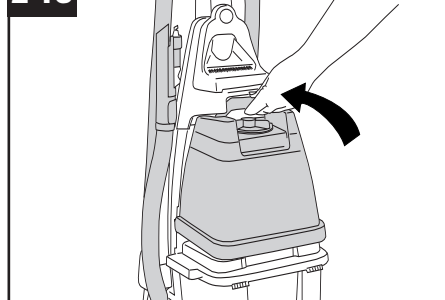
If rubber ring (C) on cap has become dislodged, reposition it with uneven side against ledge (D) as shown.

2-14



Replace cap. **Rotate cap clockwise until it locks in place. Cap must be locked in place for proper performance and to prevent leaking.**

2-15



Position bottom of tank into unit and press on tank handle to snap tank into place.

**Recovery tank (lower tank)**

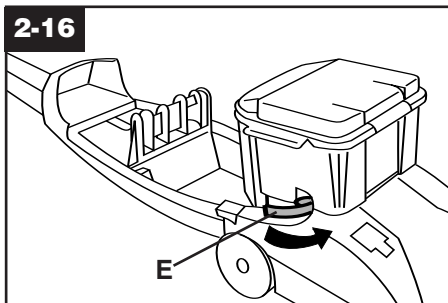
The recovery tank holds the dirty solution that is picked up from the carpet.

When the recovery tank is full, the automatic shut-off will engage (see page 8) and the tank must be emptied.

**How to empty**

**Turn carpet cleaner off and disconnect from electrical outlet.**

To prevent possible leaking, remove clean solution tank (Fig. 2-9) by pressing down on tank handle and pulling forward; set tank aside (**do not set tank on furniture**).

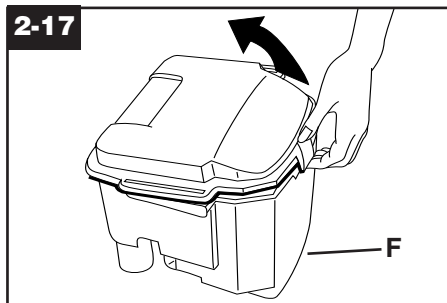


Step on handle release pedal and lower handle until it rests on the floor.

If cleaning stairs or upholstery, remove hose by reversing procedure as shown on pages 12 and 13.

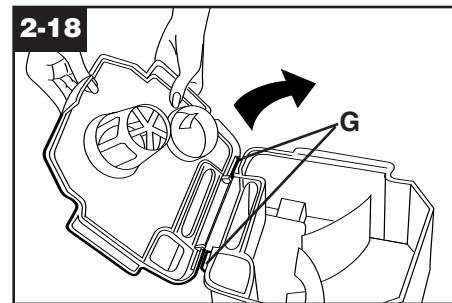
Rotate recovery tank latches (E) outward (one on each side of tank).

Lift tank off of carpet cleaner and carry it to a sink or drain.



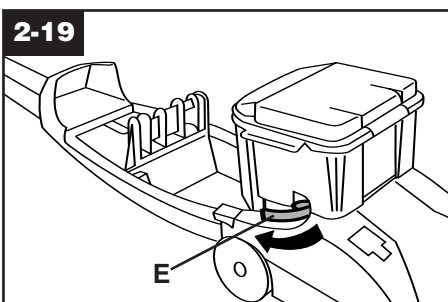
Unlatch back part of tank lid and remove lid.

Empty tank. Pour dirty water out from the rear of the tank (F).



**The lid replaces in a hinge-like manner.** Position the front of lid under tabs (G) on front of tank. Rotate lid down onto tank. **Make sure that the lid is secure on all sides before placing tank on cleaner.**

**For full suction, it is important that the recovery tank lid is properly secured before cleaning.**



Replace tank and press down to ensure that it is properly seated in place.

**Rotate latches (E) (one on each side of tank) inward to lock tank in place.**

To continue cleaning stairs or upholstery, replace hose as shown on pages 12 and 13.

Raise handle to upright position and replace upper clean solution tank.

## 3. How to clean

### Before you begin cleaning

**a. Vacuum thoroughly** - For carpet, use a vacuum cleaner with an agitator for best results. Vacuum upholstery with a vacuum cleaner with cleaning tool attachments. Use a crevice tool to reach into tufts and folds. **Do not use the SteamVac™ carpet cleaner as a dry vacuum cleaner.**

**b. For upholstery, check cleaning code** - Use your HOOVER SteamVac™ carpet cleaner only if the upholstery fabric is marked with a "W" (for "wet" clean) or "S/W" (for "solvent/dry" or "wet" clean). **Do not clean fabric marked "S" ("solvent/dry" clean only).** If your upholstery does not have a code, seek professional assistance.

**c. Test for colorfastness** - Mix detergent and water according to the instruc-

tions under "Fill clean solution tank" on pages 8 and 9. Wet a white absorbent cloth with the solution. In a small, hidden area, gently rub the surface with the dampened cloth. Wait ten minutes and check for color removal or bleed with white paper towel or cloth. If surface has more than one color, check all colors.

**d. When cleaning entire floor, move furniture out of area to be cleaned** (may not be necessary if only high traffic areas are to be cleaned). For furniture too heavy to move, place aluminum foil or wax paper under legs. This will prevent wood finishes from staining carpet. Pin up furniture skirts and draperies.

**e. Pretreat spots and heavy traffic areas with HOOVER® Spot and Stain Spray Cleaner\***- Test Spot and Stain Spray Cleaner for colorfastness by first spraying it on a hidden area; wait ten minutes and blot with white paper towels or cloth.

If no color change is visible, spray Spot and Stain Spray Cleaner onto spots and traffic areas. Wait at least ten minutes. Use your SteamVac™ carpet cleaner to pick up Spot and Stain Spray Cleaner and spot. Repeat until spot is removed; carefully scrub with a household scrub brush if necessary.

**Do not saturate** carpet or upholstery with Spot and Stain Spray Cleaner.

**If you do not have access to the Spot and Stain Spray Cleaner, double the amount of HOOVER Carpet/ Upholstery Detergent (use 2 capfuls or 10 oz. per 1 gallon) in the clean solution tank.**

No cleaning solution removes all stains from all carpets. Stain removal varies

with the type of spill, time elapsed before removal, carpet material, and carpet type.

**f. To prevent staining**, use plastic or aluminum foil to protect wood or metal surfaces from possible water spray.

**g. To avoid wetting and possible damage to wood floors underneath area rugs/carpet**, either move area rugs/ carpet to a non-wood bare floor surface or place waterproof material (e.g. plastic) underneath them before cleaning.

See pages 11 and 12 for instructions on various cleaning tasks.

\*Available at additional cost if not included with your model.

### After cleaning

**a.** Allow carpet or upholstery to dry. To help prevent matting and resoiling the carpet, keep children and pets away from surface until it is **completely dry. If it is necessary to walk on damp** carpet, place towels or white cloths on the traffic areas.

If furniture must be replaced before the carpet is dry, use plastic or aluminum foil pads under legs of furniture so metal slides or wood finishes will not stain the carpet.

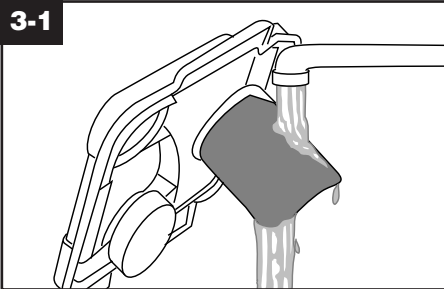
**b.** If desired, the carpet may be rinsed. **Rinsing is not necessary for cleaning**, but it may improve the surface's appearance after it is dry.

If rinsing is desired, be careful not to over-wet the carpet or upholstery.

**Allow time for carpet or upholstery to dry completely between cleaning and rinsing.** To rinse, follow the same procedure for cleaning only using hot tap water with no detergent in the upper clean solution tank.

**c.** Empty tanks, rinse with clear water and let air dry. Rinse the solution tank cap and recovery tank lid and let air dry.

**3-1**



**d.** Remove debris from recovery tank filter and rinse with clean water.

**Note:** If the filter must be removed for cleaning, it is easier to replace if the filter is wet.

**e.** Vacuum thoroughly after carpet has completely dried. This will help reduce any shading left by the carpet cleaner's brushes.

5. Squeeze trigger to release cleaning solution and **slowly** push carpet cleaner forward (equals one wet stroke).

6. Continue to squeeze trigger and **slowly** pull carpet cleaner back toward you (second wet stroke). Release trigger and slowly push carpet cleaner forward over area just sprayed with solution (dry stroke). Then **slowly** pull carpet cleaner back toward you without squeezing trigger (dry stroke).

7. Overlap strokes by 1 inch to help prevent streaking. Keep nozzle flat on floor for both forward and reverse strokes.

8. For heavily soiled areas, repeat steps 5-7.

9. For particularly soiled carpet or spots, use the Clean Surge™ button (see following section). Avoid saturating carpet, as noted below.

**Note: To avoid saturating carpet, do not use more than 4 wet strokes over one area. Always end with dry strokes.**

It is best to alternate wet and dry strokes as described above.

For best cleaning results and to aid in faster drying of carpet, end with

### To clean nozzle

If lint or other debris becomes lodged in **nozzle**, do not attempt to remove nozzle cover.

Pour one to two cups of clear water on a non-carpeted floor. **Do not pour water onto a wood floor.**

Pick up water with your SteamVac™ carpet cleaner. Repeat as necessary until debris is flushed out of nozzle.

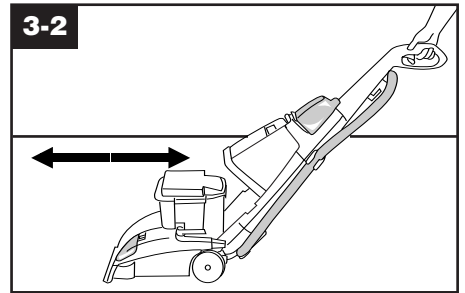
To clean the outside of the machine, wipe off dirt with a cloth dampened in warm water and mild detergent.

**Do not use solvent or petroleum based products to clean the machine.**

## Carpet Cleaning

Read “Before you begin cleaning” instructions on page 10.

1. Fill clean solution tank (upper tank) with HOOVER Carpet/Upholstery Detergent according to instructions on pages 8 and 9.



2. Move speed selector to **LO** for gentle cleaning or **HI** for normal cleaning.

3. Dry hands and plug cord into a properly grounded outlet. **Do not clean over floor electrical outlets.**

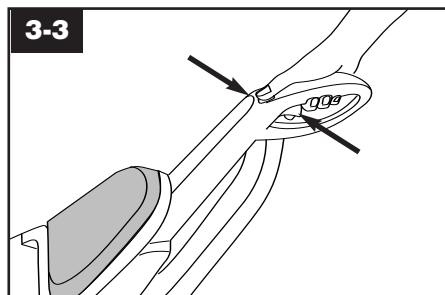
4. To avoid walking on damp carpet, start at the end of the room farthest from the door or path to sink where tanks will be emptied and filled.

Step on handle release pedal and lower handle to operating position; turn carpet cleaner ON.

more dry strokes. (Continue using dry strokes until little water is visible passing through the recovery tank lid.)

Empty recovery tank when the motor sound becomes higher pitched and there is a loss in suction (see “Automatic shut-off”, page 8).

When finished cleaning, follow “After cleaning” instructions on pages 10 and 11.



### Clean Surge™ Button

The Clean Surge™ button can be used to dispense extra solution when cleaning particularly soiled areas of carpet or spots.

To use, press Clean Surge™ button while squeezing solution trigger. For normal solution spray, release button and continue to squeeze solution trigger.

## Picking up spills

Your HOOVER SteamVac™ carpet cleaner may also be used to pick up **small liquid spills (1 gallon or less, never to exceed 1/4 inch in depth)** on carpet, upholstery, or bare floors.

For best results, pick up spills immediately by placing the stair/upholstery nozzle just above the spill and suction up any residue on top of the carpet. If the spill remains, place either the stair/upholstery nozzle or floor nozzle *with brushes turned OFF* in front of the spill, pull the nozzle very slowly over the spill initially with suction only. Repeat with spray and suction.

**When picking up spills on bare floors, use only the floor nozzle with the bare floor attachment in place and speed selector in the OFF position** (this will help prevent spreading the spill).

If a spot is left, the stair/upholstery nozzle is generally more effective for removing it. Although no cleaning solution can completely remove all spots, they can be treated by following the instructions provided by the manufacturer of the carpet, upholstery, or bare floor surface being cleaned.

**Continued → 11**

## Cleaning bare floors

**Do not use the SteamVac™ carpet cleaner to pick up flammable or combustible liquids or chemicals.**

When finished, follow “After cleaning” instructions on pages 10 and 11.

**How to attach bare floor attachment (available at additional cost)**

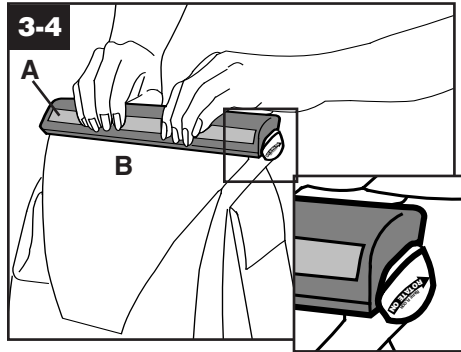
**Disconnect carpet cleaner from electrical outlet.**

To prevent possible leaking, remove clean solution tank and recovery tank before positioning bare attachment.

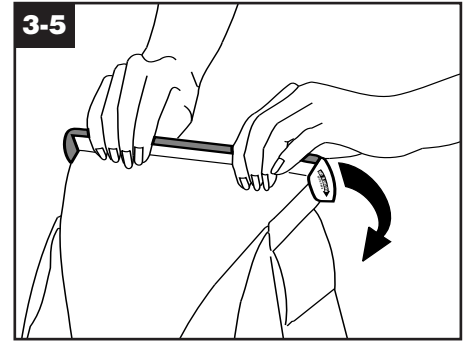
Refer to Fig. 2-9 to remove clean solution tank. Set tank aside (do not set tank on furniture).

Refer to Fig. 2-16 to remove recovery tank.

With handle in upright position, tilt cleaner back so that handle rests on the floor.



With foam strip (A) (located under the netting) in position as shown, place attachment on front of nozzle (B). Make sure arrow on end of attachment points in the direction as shown.



Push attachment against nozzle while rotating attachment downward until both ends snap into place.

**(Note: Some force may be required to rotate and snap attachment into place.)** Return carpet cleaner to upright position. Lower handle and replace recovery tank.

Raise handle to upright position and reposition clean solution tank.

## To clean floor

**Read Before you begin cleaning instructions on page 10.**

**Do not use the SteamVac™ carpet cleaner on hardwood floors.**

Fill clean solution tank with HOOVER Hard Floor Cleaning Solution (available at additional cost if not included with your model) according to instructions on pages 8 and 9.

**Do not use any type of wax with your SteamVac™ carpet cleaner.**

**Move speed selector to the Lo or HI position for scrubbing or OFF if scrubbing is not desired.**

Dry hands and **plug carpet cleaner into a properly grounded outlet.**

Step on handle release pedal and lower handle to operating position; turn carpet cleaner ON.

To release solution, press trigger. Slowly move carpet cleaner forward and backward over area to be cleaned.

To pick up dirty solution, release trigger and slowly move carpet cleaner over area where solution has just been dispersed. Use both forward and reverse strokes.

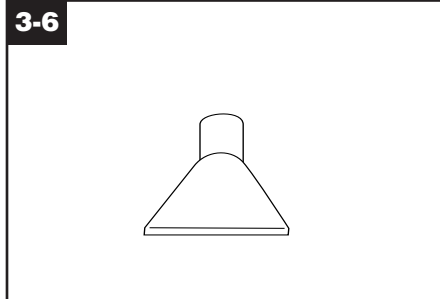
Empty recovery tank when the motor sound becomes higher pitched and there is a loss in suction (see “Automatic shut-off”, page 8).

When finished cleaning, follow “After cleaning” instructions on pages 10 and 11.

Remove attachment from nozzle and rinse in clear water. **Do not remove plastic screen or foam from attachment.**

**Stair/upholstery nozzle** has a built-in brush to help provide the scrubbing action some spots may need for removal.

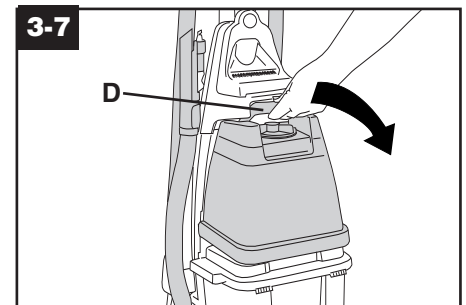
## Using the tool



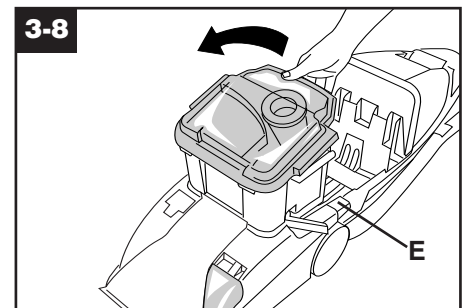
## How to attach tool

All tools connect to the hose in the same manner.

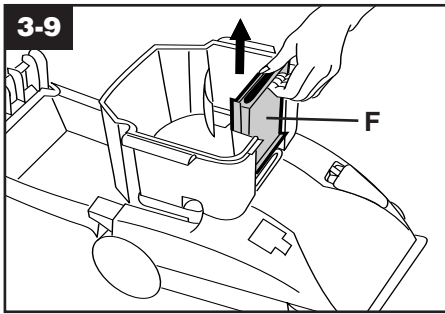
**How to attach hose**  
**Disconnect carpet cleaner from electrical outlet.**



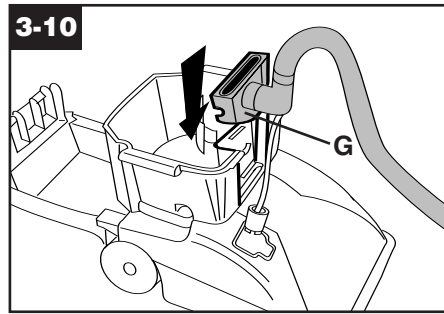
1. To prevent possible leaking, remove clean solution tank by pressing down on tank handle (D) and pulling forward; set tank aside (do not set tank on furniture). Remove hose from storage rack.



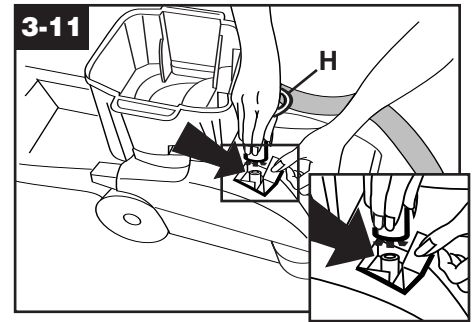
2. Step on handle release pedal (E) and lower deep cleaner handle until it rests on the floor. Unlatch back part of recovery tank and remove lid.



3. Remove recovery tank front panel (F) by sliding it straight up.

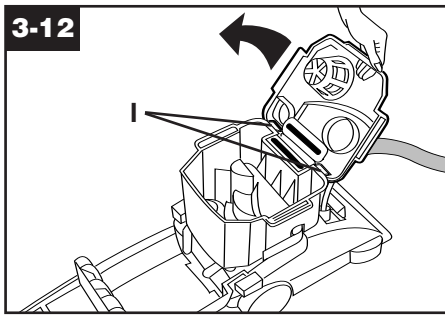


4. Replace panel with converter (G). Slide converter halfway down opening until it is firmly in place.



5. **Before connecting tube (H) to cleaner, make sure black tabs are extended by pulling tan collar toward tube.**

Open door on hood labeled "Stair/upholstery Cleaning Connection". Press round solution tube connector onto round projection inside door. **Press connector collar down firmly to ensure that it is fully connected.**



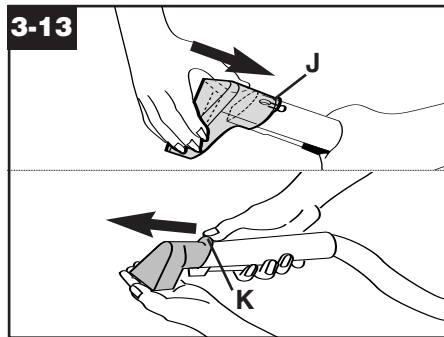
6. **The tank replaces in a hinge-like manner.** Position front of lid under tabs (I) on front of tank. Rotate lid down onto tank.

**Make sure lid is secure on all sides before cleaning.**

**For full suction, it is important that the recovery tank lid is properly secured before cleaning.**

**Reverse procedure to remove hose and solution tube.**

Raise carpet cleaner handle to upright position.



1. Attach tool to connector end of hose by sliding it onto connector until the tab (J) locks it securely.

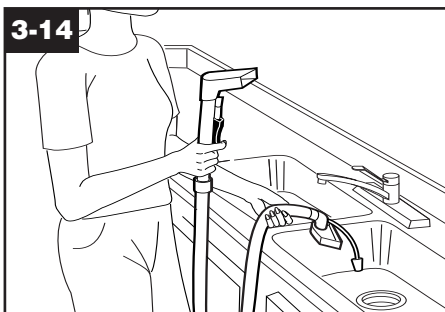
Using your thumb, **push forward and up** on the **latch (K)** to remove tool as shown.

### Before using tool

It may be necessary to remove air from the system ("prime the pump") so the clean solution will flow to the tool. Follow these steps:

1. Attach tool to hose and turn the carpet cleaner ON.
2. Put the tool on a hard surface or against your hand to block off the suction.
3. Wait a few seconds (can take up to 15 seconds). Then squeeze the trigger and begin cleaning.

Follow the instructions on pages 14 and 15 for the appropriate cleaning task.



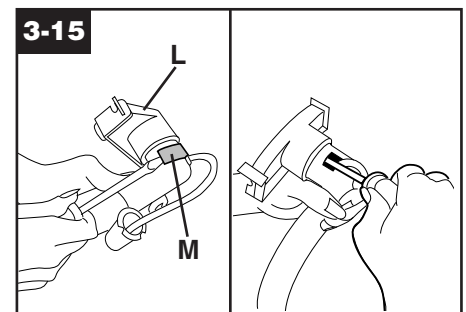
### After using tool

1. Follow steps a and b for "After cleaning" on pages 10 and 11.
2. Drain suction hose by turning carpet cleaner ON and holding end of hose up for several seconds. **Do not press trigger.**

3. **Disconnect carpet cleaner from electrical outlet.**

4. Drain solution tube by placing round end in sink and raising nozzle above your head. Press the trigger.

5. Proceed with steps c, d and e for "After cleaning" on pages 10 and 11.



Occasionally, debris may become lodged inside of the hose at the converter end (L). To clean out the hose, lift bottom of converter clip (M) with a screwdriver and remove clip. Remove debris as shown.

**Read “Before you begin cleaning” instructions on page 10.**

1. Place handle in upright position. **Agitator brushes will not rotate while handle is in upright position.**
2. Fill clean solution tank with HOOVER Carpet/Upholstery Detergent according to instructions on pages 8 and 9.
3. Attach tool to end of hose.
4. Hose length may require that machine be placed at the top of the stairs to clean upper half of stairway and at bottom of stairs to clean lower half.

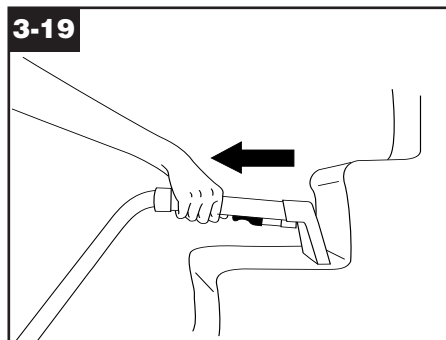
**To prevent machine from falling, use extra caution when cleaning on stairs.**

**Do not place carpet cleaner on stairs.**

**Do not point tools toward people or pets.**

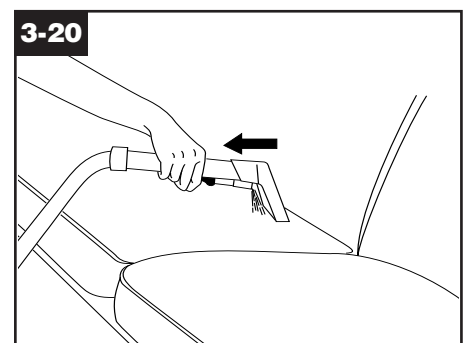
5. Dry hands and plug carpet cleaner into a **properly grounded outlet**.
6. Turn carpet cleaner ON. If necessary, refer to “Before using tool” section to remove air from system.
7. Pre-spray the carpeted stair by holding the tool about one inch above the carpet and push it forward while pressing the trigger (equals one wet stroke).

8. Position tool against the riser and slightly press it into carpet pile. Press the trigger and pull the tool **slowly** over the carpet (second wet stroke). Release trigger at end of stroke.



9. Lift tool, and position it against riser. Pull tool **slowly** over carpet without pressing trigger (dry stroke). It is best to alternate wet and dry strokes as described above. End with more dry strokes to aid in faster drying of carpet.

## Cleaning upholstery



5. Turn carpet cleaner on. If necessary, refer to “Before using tool” section to remove air from system.
6. Gently press the tool onto the fabric. Press the trigger and slowly pull the nozzle over the fabric.
7. Overlap strokes by 1/2 inch to help prevent streaking. Make additional strokes without pressing the trigger to remove more moisture.
8. To clean in corners or creases, lift the tool one-half inch from the fabric and press the solution trigger.
9. Vacuum up the solution with the tool without pressing the trigger.























































**RETURN THIS CARD NOW FOR:**

**• Warranty Confirmation**

With the information you provide we can confirm the date of purchase of your product. This confirmation is of benefit to you, especially if your original proof of purchase is lost.

**• Proof of Ownership**

Your model number, serial number, and other information will be kept in our files for up to ten years.

**• \$100,000 Give Away V**

We'll automatically enter you for a chance to win \$5,000, \$25,000, or even \$50,000!



**OFFICIAL SWEEPSTAKES RULES: NO PURCHASE NECESSARY TO WIN.** Sweepstakes is sponsored by a number of different companies, will be offered in a number of different presentations, and will award the following prizes: one 1st Prize of \$50,000; one 2nd Prize of \$25,000; and five 3rd Prizes of \$5,000. Sweepstakes begins May 19, 2003, and ends December 31, 2005. Entry by completing this product registration or a 3" x 5" card with your name, address, city, state, ZIP Code, and the words "\$100,000 Give Away V" and mail to P.O. Box 173245, Dept. Y3R, Denver, CO 80217-3245. Entries must be received no later than December 31, 2005, and are limited to one per household. Mechanically reproduced entries not acceptable. Not responsible for late, lost or illegible entries. A random drawing held in January 2006, will select the winners from all entries collectively received by the sponsoring companies. Odds of winning depend on the number of eligible entries received from all sponsors' presentations. Open to U.S. residents at least 18 years old, except employees and their families of the sweepstakes judge, all of the sponsoring companies, and their respective subsidiaries. Each winner must submit a signed and notarized affidavit of eligibility within a specified time after being notified of their prospective winner status, and if a satisfactory affidavit is not received within the stated time, a new winner will be selected. By submitting an entry, winner agrees to the use of their name, address, and photograph for advertising/publicity purposes without compensation. All entries become the property of the sweepstakes judge. No transfer or substitution of prize is allowed. Winner is solely responsible for all taxes. All federal, state and local laws apply. Offer void in Florida and where prohibited by law. For notice of sweepstakes winners, send a self-addressed, stamped envelope to: "\$100,000 Give Away V", P.O. Box 173133, Denver, CO 80217-3133.

- |  |   |  |
|--|---|--|
| 01. <input type="checkbox"/> Bicycling                 | 18. <input type="checkbox"/> Buy Prerecorded Videos       | 34. <input type="checkbox"/> Gourmet Cooking/Fine Foods    |
| 02. <input type="checkbox"/> Golf                      | 19. <input type="checkbox"/> Automotive Work              | 35. <input type="checkbox"/> Wines                         |
| 03. <input type="checkbox"/> Physical Fitness/Exercise | 20. <input type="checkbox"/> Electronics                  | 36. <input type="checkbox"/> Stamp/Coin Collecting         |
| 04. <input type="checkbox"/> Running/Jogging           | 21. <input type="checkbox"/> Home Workshop/Do-It-Yourself | 37. <input type="checkbox"/> Collectibles                  |
| 05. <input type="checkbox"/> Snow Skiing               | 22. <input type="checkbox"/> Recreation Vehicles (RV's)   | 38. <input type="checkbox"/> Our Nation's Heritage         |
| 06. <input type="checkbox"/> Tennis                    | 23. <input type="checkbox"/> Listen to Records/Tapes/CDs  | 39. <input type="checkbox"/> Real Estate Investments       |
| 07. <input type="checkbox"/> Camping/Hiking            | 24. <input type="checkbox"/> Avid Book Reading            | 40. <input type="checkbox"/> Stocks/Bond Investments       |
| 08. <input type="checkbox"/> Fishing                   | 25. <input type="checkbox"/> Bible/Devotional Reading     | 41. <input type="checkbox"/> Contests/Sweepstakes          |
| 09. <input type="checkbox"/> Hunting/Shooting          | 26. <input type="checkbox"/> Health/Natural Foods         | 42. <input type="checkbox"/> Casino Gambling               |
| 10. <input type="checkbox"/> Powerboating              | 27. <input type="checkbox"/> Photography                  | 43. <input type="checkbox"/> Science Fiction               |
| 11. <input type="checkbox"/> Sailing                   | 28. <input type="checkbox"/> Cultural/Arts Events         | 44. <input type="checkbox"/> Wildlife/Environmental Issues |
| 12. <input type="checkbox"/> Grandchildren             | 29. <input type="checkbox"/> Fashion Clothing             | 45. <input type="checkbox"/> Dieting/Weight Control        |
| 13. <input type="checkbox"/> Needlework/Knitting       | 30. <input type="checkbox"/> Art/Antique Collecting       | 46. <input type="checkbox"/> Science/New Technology        |
| 14. <input type="checkbox"/> Sewing                    | 31. <input type="checkbox"/> Foreign Travel               | 47. <input type="checkbox"/> Self-Improvement              |
| 15. <input type="checkbox"/> Flower Gardening          | 32. <input type="checkbox"/> Cruise Ship Vacations        | 48. <input type="checkbox"/> Walking for Health            |
| 16. <input type="checkbox"/> Vegetable Gardening       | 33. <input type="checkbox"/> Travel in USA                | 49. <input type="checkbox"/> Watching Sports on TV         |
| 17. <input type="checkbox"/> Crafts                    |   | 50. <input type="checkbox"/> Home Video Recording          |
|  |   | 51. <input type="checkbox"/> Moneymaking Opportunities     |

**22. To help us understand our customers' lifestyles, please indicate the interests and activities in which you or your spouse enjoy participating on a regular basis:**

**23. Using the numbers in the above list, please indicate your 3 most important activities:**

--	--	--

Thanks for taking the time to fill out this questionnaire. Your answers will be used for market research studies and reports. They will also allow you to receive important mailings and special offers from a number of fine companies whose products and services relate directly to the specific interests, hobbies, and other information indicated above. Through this selective program, you will be able to obtain more information about activities in which you are involved and less about those in which you are not. Please check here if, for some reason, you would prefer not to participate in this opportunity.

Failure to return this card will not diminish your warranty rights.

**If you have any comments or suggestions about our product, please write to:**  
 Consumer Response Center, Hoover, Inc. 7005 Cochran Road • Glenwillow, Ohio 44139  
 Call 1-800-263-6376 Mon-Fri 8am-7pm EST or visit us online at: [www.hoover.com](http://www.hoover.com)

Copyright © 2003 All rights reserved

*Fold here. Seal with tape (do not staple). Pliez ici. Veuillez cacheter (Ne pas agraffer). Doble aquí. Favor de sellar con cinta adhesiva. No usar grapas.*



DENVER CO 80217-3245

P O BOX 173245



Y 3 R 0 1 - 0 1

**Please send other correspondence to:**  
 Consumer Response Center  
 Hoover, Inc.  
 7005 Cochran Road  
 Glenwillow, Ohio 44139



First-Class Postage Required Post Office will not deliver without proper postage.



HOOVER y  son marcas registradas

HOOVER et  sont des marques déposées

HOOVER and  are registered trademarks