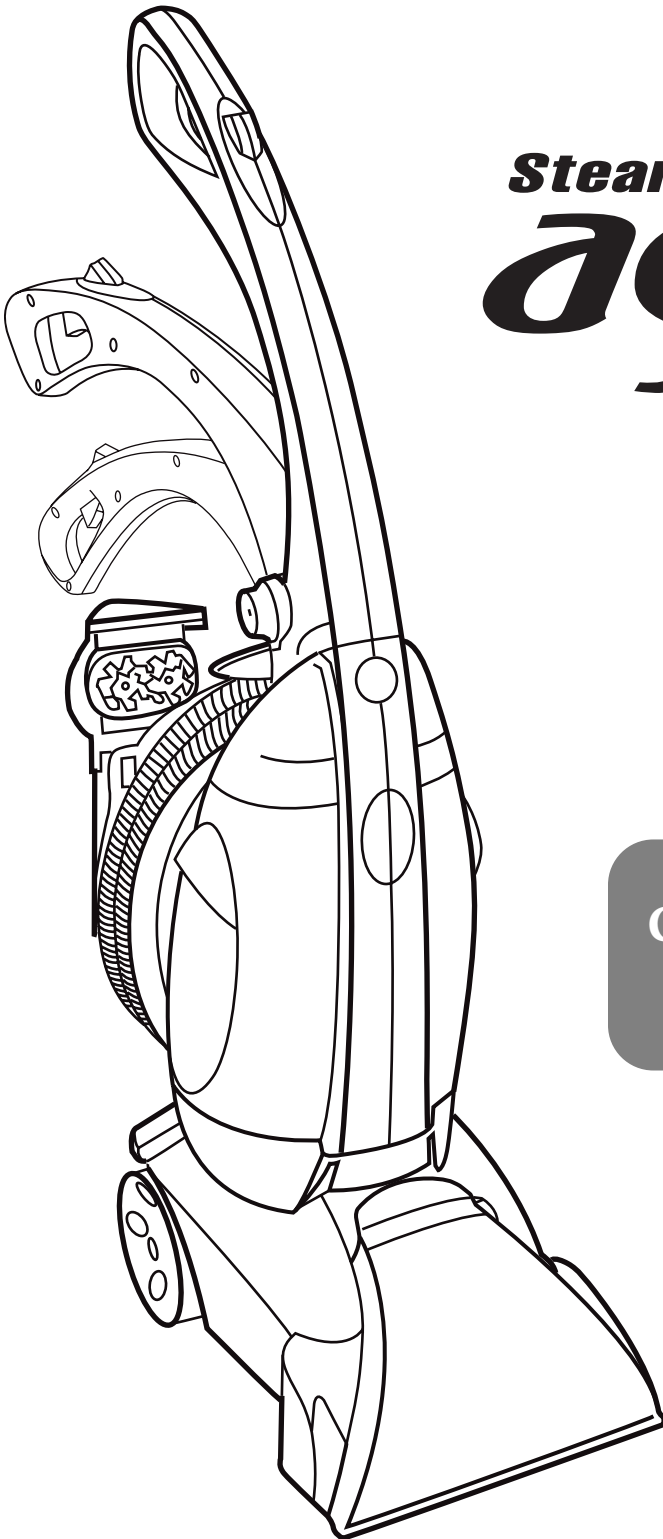


HOOVER®

ENGLISH → pp. 1-14
ESPAÑOL → pág. 16-24
FRANÇAIS → p. 25-33



SteamVac™
***agility*™**

Your HOOVER Deep
Cleaner is fully assembled
and
ready to begin cleaning!



Important Safeguards!

When using an electrical appliance, always follow basic precautions, including the following:

READ ALL INSTRUCTIONS BEFORE USING APPLIANCE.

WARNING:

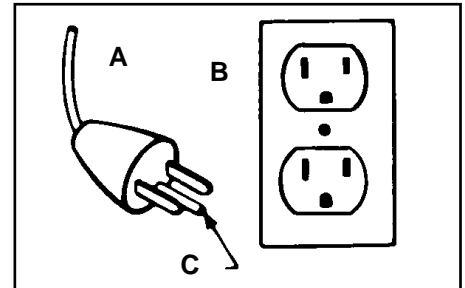
To reduce the risk of fire, electric shock, or injury:

- Use indoors only.
- Use only on surfaces moistened by the cleaning process. Do not immerse product.
- Connect to a properly grounded outlet only. See "Grounding Instructions".
- Do not clean over floor electrical outlets.
- Do not use without tanks in place.
- Use extra care when cleaning on stairs. Do not place deep cleaner on stairs.
- Use deep cleaner only for its intended use as described in the instructions.
- Use only attachments recommended by The Hoover Company; others may cause hazards.
- The use of an extension cord is not recommended. If an extension cord is absolutely necessary, use at least a 16 gauge 3-wire cord which has a 3-prong grounding type plug and a 3-pole receptacle that accepts the machine plug.
- Unplug deep cleaner when not in use. Turn off all controls before unplugging.
- Unplug deep cleaner before connecting the powered hand tool.
- Always disconnect cord from electrical outlet before servicing the deep cleaner.
- Do not unplug by pulling on cord. To unplug, grasp the plug, not the cord.
- Never handle plug or appliance with wet hands.
- Do not pull or carry by cord, use cord as a handle, close door on cord or pull cord around sharp edges or corners. Do not run appliance over cord. Keep cord away from heated surfaces.
- Do not use with damaged cord or plug. If appliance is not working as

it should, has been dropped, damaged, left outdoors, or dropped into water, take it to a Hoover Factory Service Center or Authorized Hoover Warranty Service Dealer.

- Close supervision is necessary when any appliance is used by or near children. Do not allow deep cleaner to be used as a toy or to run unattended at any time.
- Do not point tools toward people or pets.
- Use only commercially available Hoover SteamVac™ cleaners intended for machine application. Do not use any type of wax with deep cleaner.
- Keep detergents and other cleaners out of children's reach.
- Do not use to pick up flammable or combustible liquids such as gasoline or use in areas where they may be present.
- Do not pick up chlorine bleach, drain cleaner, gasoline or any other toxic material with this appliance.
- Do not pick up anything that is burning or smoking, such as cigarettes, matches, or hot ashes.
- Avoid picking up hard, sharp objects with the deep cleaner. They may damage the machine.
- Keep hair, loose clothing, fingers, feet and all parts of body away from openings and moving parts.
- Do not put any object into openings. Do not use with any opening blocked; keep free of dust, lint, hair, and anything that may reduce air flow.
- To help prevent matting and resoiling, avoid contact with carpets until they are dry. Keep children and pets away from carpets until they are completely dry.
- Store in a dry place. Do not expose machine to freezing temperatures.

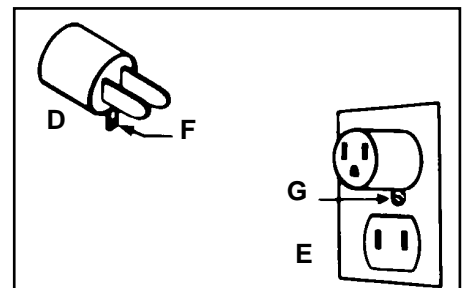
Grounding Instructions



This appliance must be grounded. If it should malfunction or breakdown, grounding provides a path of least resistance for electrical current to reduce the risk of electric shock. This appliance is equipped with a cord having an equipment-grounding conductor (C) and grounding plug (A). The plug must be plugged into an appropriate outlet (B) that is properly installed and grounded in accordance with all local codes and ordinances.

DANGER-

Improper connection of the equipment-grounding conductor can result in the risk of electric shock. Check with a qualified electrician or service person if you are in doubt as to whether the outlet is properly grounded. Do not modify the plug provided with the appliance - if it will not fit the outlet, have a proper outlet installed by a qualified electrician. This appliance is for use on a nominal 120 volt circuit and has a grounding plug that looks like the plug illustrated in sketch (A).



A temporary adapter (D) may be used to connect this plug to a 2-pole receptacle (E) if a properly grounded outlet is not available. The temporary adapter should be used only until a properly grounded outlet (B) can be installed by a qualified electrician. The green colored rigid ear, lug, or the like (F) extending from the adapter must be connected to a permanent ground (G) such as a properly grounded outlet box cover. Whenever the adapter is used, it must be held in place by a metal screw. **NOTE:** In Canada, the use of a temporary adapter is not permitted by the Canadian Electrical Code.

Save these instructions!

To contact us:

- www.hoover.com
- 1-800-944-9200 - automated service dealer locator
- 1-330-499-9499 - our Consumer Response Center (8 AM to 5 PM Monday - Friday)

Fill in and Save

For your records, enter the model number and serial numbers in the spaces provided. These numbers are located on the data label on the back of the cleaner.

Model No. _____

Serial No. _____

Save your sales receipt and attach it to this manual. Proof of date of purchase may be required for warranty service of your cleaner.



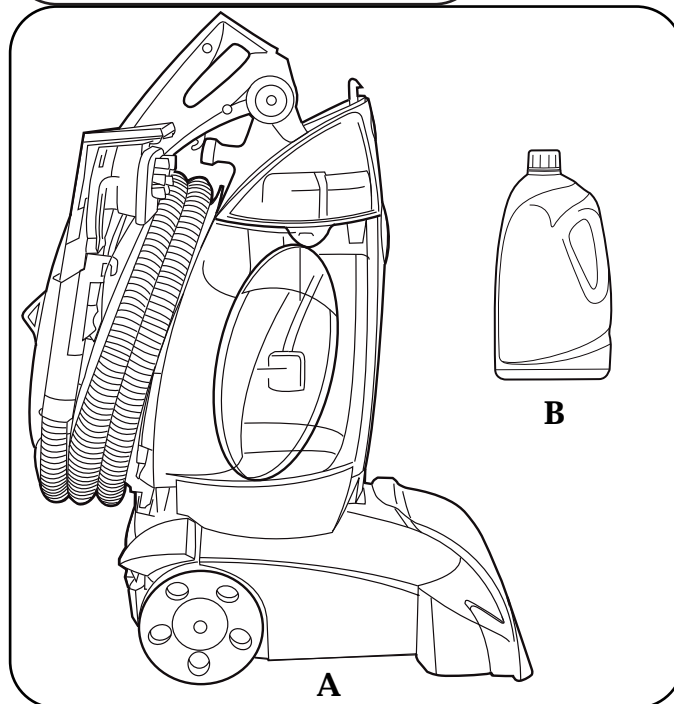
Contents

Important safeguards	2
Carton contents	3
Cleaner description	4
Deep cleaner basics	5
Filling the tank	5
Emptying the recovery tank ..	6
Attaching the hose	7
Selecting & attaching tool ...	7
Draining & storing hose	8
Cleaning carpet	10-11
Cleaning upholstery	11-12
Basic steps for cleaning	13
Warranty	14

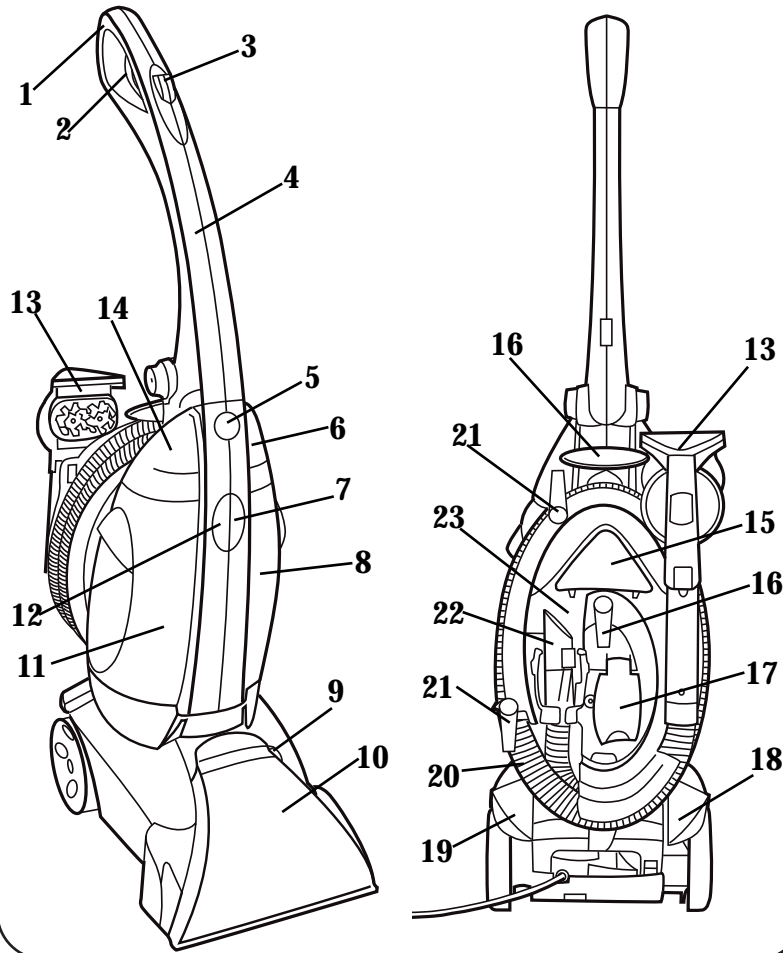


Carton Contents

- A. Deep cleaner
- B. Hoover Detergent



Cleaner Description



Features

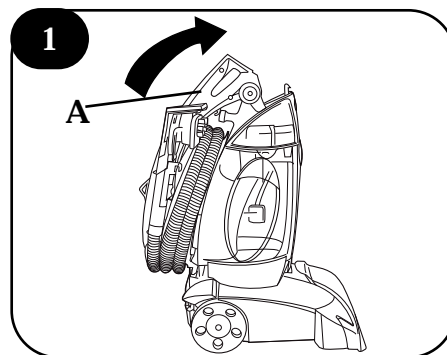
1. Hand grip
2. Solution trigger: press to release cleaning solution
3. Clean Surge™ button
4. Upper handle
5. Upper handle release button
6. Solution tank cap/measuring cup
7. Solution tank release button
8. Solution tank
9. Brush setting selector
10. Nozzle
11. Recovery tank
12. Recovery tank release button
13. Powered hand tool
14. Recovery tank cap
15. Stair/upholstery nozzle
16. Cord hooks (tool caddy removed)
17. Hose door
18. Handle release pedal
19. ON/OFF pedal
20. Hose
21. Cord hooks (tool caddy stored on cleaner)
22. Hose connector
23. Tool caddy

This deep cleaner is intended for household use.

Operate deep cleaner only at voltage specified on data plate on back of cleaner. Plug deep cleaner into a properly grounded outlet.

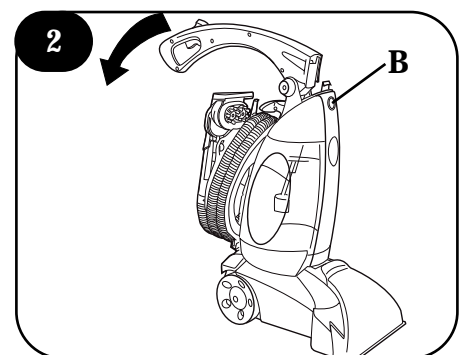
Your HOOVER Deep Cleaner is fully assembled and ready to begin cleaning!

Unfold handle



Raise upper handle (A) to upright position until it locks in place.

How to fold handle



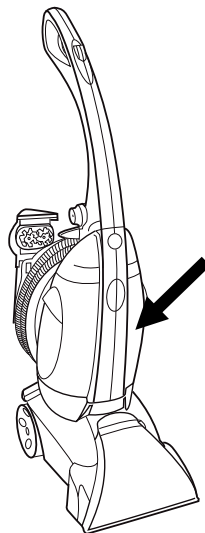
Press upper handle release button (B) to fold handle.

Deep Cleaner Basics

Fill the solution tank

Unplug deep cleaner from electrical outlet.

- ✓ Press button (A) and remove solution tank (Fig. 3)
- ✓ Release latches (B) on tank cap and remove (Fig. 4)
- ✓ Use cap (Fig. 5) to measure the proper amount of HOOVER detergent according to the chart below:

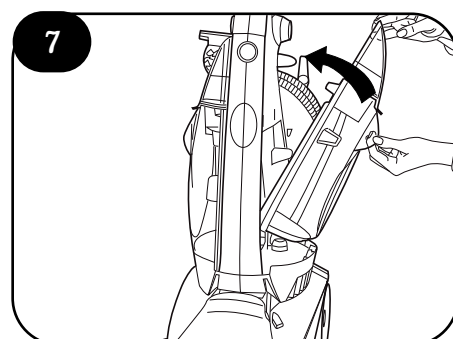
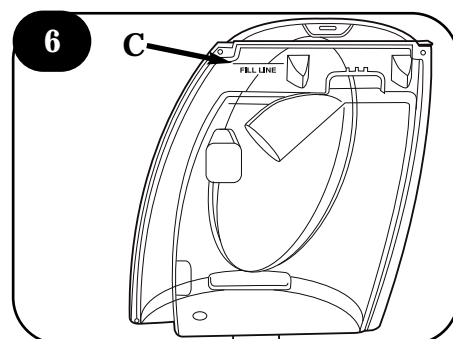
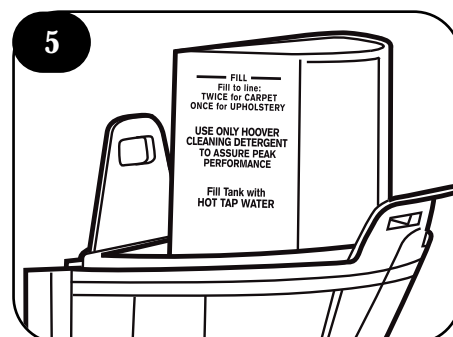
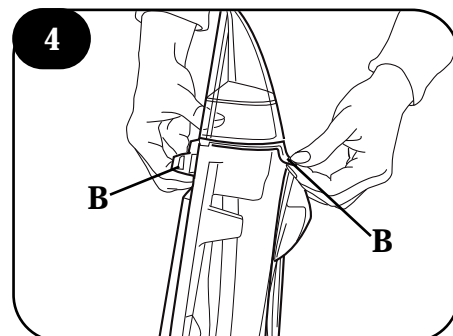
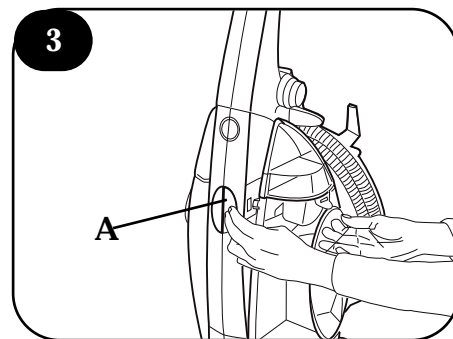


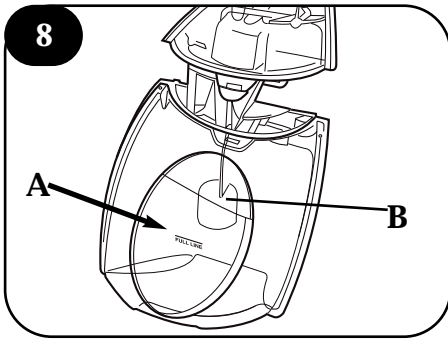
Surface	Amount of detergent	Type of detergent
Carpet	two caps	HOOVER Carpet/ Upholstery Detergent
Upholstery	one cap	HOOVER Carpet/ Upholstery Detergent
<p>For heavy traffic areas: Pre-treat with HOOVER Spot and Stain Spray (available at additional cost if not included with your model) OR Use 4 caps of Carpet/ Upholstery detergent.</p>		

NOTE: For best results, use only Hoover detergents. They are specifically formulated for use with your SteamVac™ Deep Cleaner.

- ✓ Pour detergent into tank
- ✓ Fill tank to fill line (C) (approx. 1 gallon) with hot tap water (Fig. 6)
- ✓ Replace cap. Secure both latches (B) (Fig. 4)
- ✓ Place bottom of tank onto cleaner. Pivot top of tank and snap in place (Fig. 7)

Caution: Detergents contain Anionic and Nonionic Surfactants. Avoid contact with the eyes and skin. In case of contact with eyes, flush with cold water for 15 minutes. In case of contact with skin, wash with water. If irritation persists, call a physician. For Medical Information (U.S.), call 1-800-752-7869.





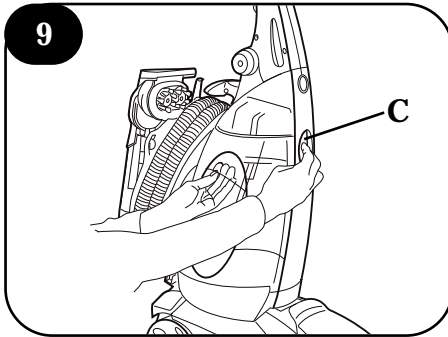
Empty the recovery tank

Unplug deep cleaner from electrical outlet.

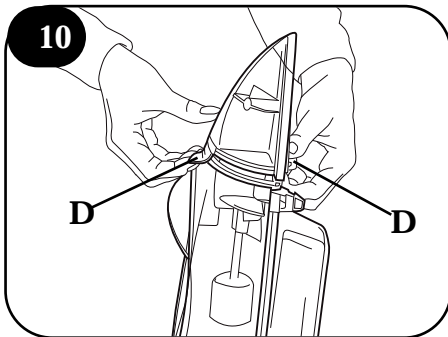
- ✓ An automatic shut-off device prevents the cleaner from picking up more dirty water than it can hold in the recovery tank.

You will know the tank needs to be emptied --

- The amount of dirty water has reached the full line (A).
- When the motor sound rises in pitch.
- You do not see dirty solution coming up through the nozzle.
- The float (B) inside the recovery tank has risen to the top of the tank (Fig. 8).



- ✓ Press button (C) and remove tank (Fig. 9).

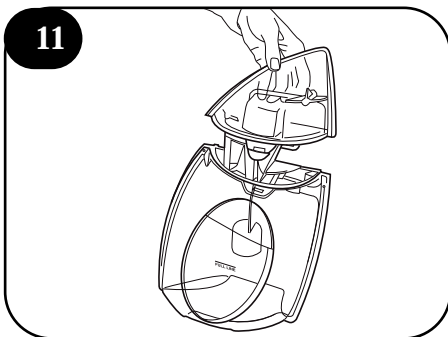


- ✓ Release latches (D) on tank cap and remove cap (Fig. 10).

- ✓ Empty tank.

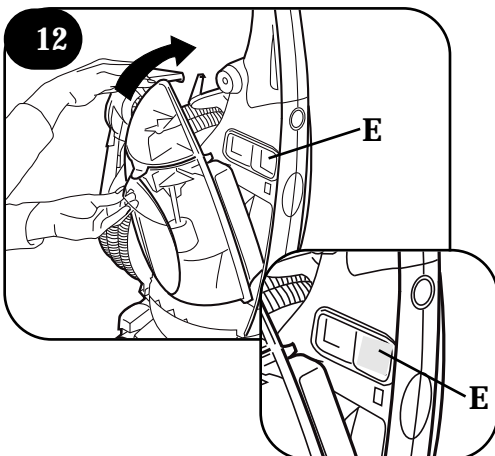
- ✓ Replace cap (Fig. 11). Secure both latches (D) (Fig. 10).

For full suction, it is important that the recovery tank cap is properly secured before cleaning.



- ✓ Remove any debris that has collected on lint filter (E) on cleaner body (Fig. 12 and inset).

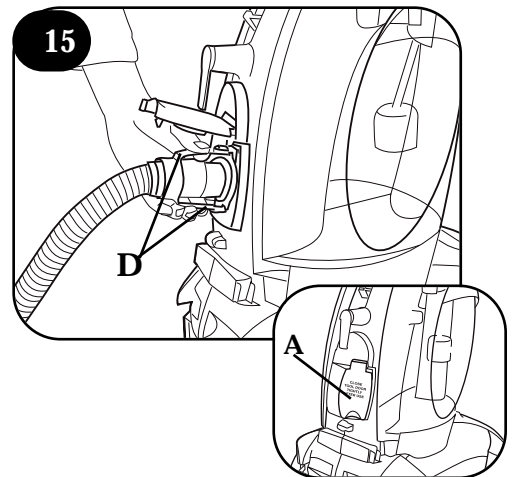
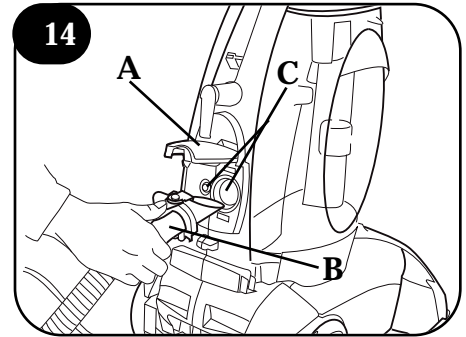
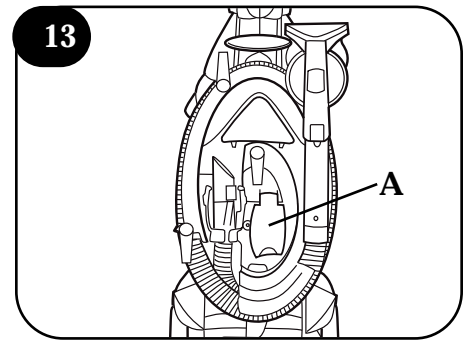
- ✓ Place bottom of tank onto cleaner. Pivot top of tank and snap in place (Fig. 12).



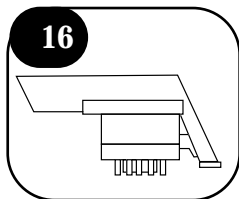
Attach the hose

Unplug deep cleaner from electrical outlet.

- ✓ Place handle in upright position.
- ✓ The hose and tool caddy can be removed from the cleaner if you desire.
- ✓ Remove hose from tool caddy.
- ✓ Open hose door (A) on back of deep cleaner (Fig. 13).
- ✓ Align hose connector with hose and solution ports (C) (Fig. 14).
- ✓ Push hose into port and lock in place.
- ✓ To remove hose: Squeeze latches (D) on top and bottom of hose. Remove hose from port (Fig. 15).
- ✓ Close hose door (A) tightly (inset).

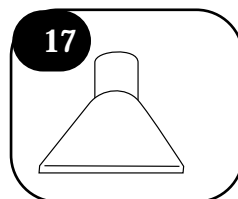


Select tool



SpinScrub™ hand tool

- Rotating brushes
- Use on carpet to clean spots, small areas or stairs



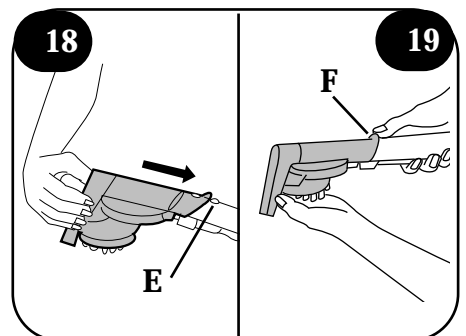
Stair/Upholstery nozzle

- Built-in brush
- Use on upholstery

Attach tool

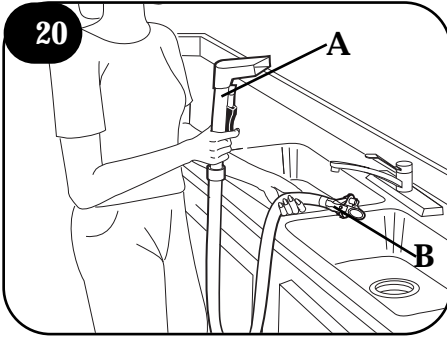
Unplug deep cleaner from electrical outlet.

- ✓ Slide tool onto hose. Snap tool over tab (E) on hose (Fig. 18).
- ✓ To remove tool: Push forward and up on latch (F) (Fig. 19). Slide tool off hose.



Continued →

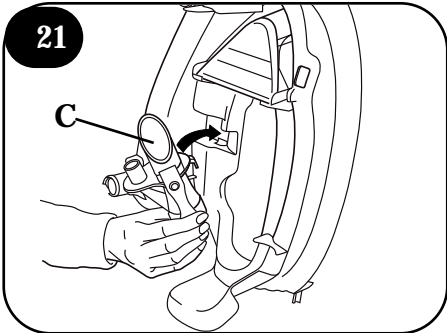
The handle must be in the upright position in order to get cleaning solution through the hose.



Drain the hose

When finished using the hose and tool, remove water from the hose.

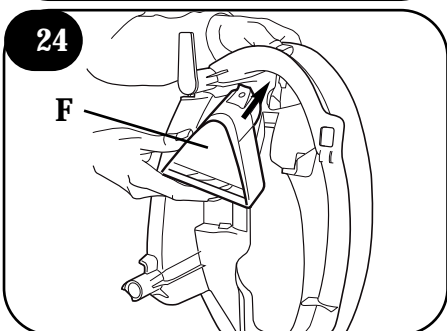
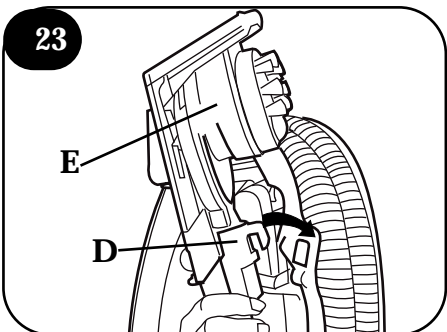
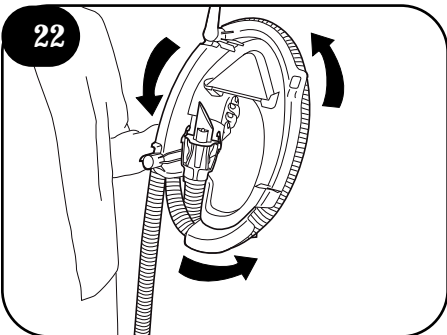
- ✓ Turn deep cleaner on and hold end of hose up for several seconds (A). **Do not press trigger.** (Fig. 20)
- ✓ Turn deep cleaner off and unplug it.
- ✓ Hold hose connector in sink and press trigger to remove solution from hose (B) (Fig. 20).



Store hose

Unplug deep cleaner from electrical outlet.

- Hook hose connector (C) into caddy (Fig. 21).
- Wrap hose around caddy in a counterclockwise direction (Fig. 22).
- Hook tool connector (D) and 'SpinScrub' tool (E) onto caddy (Fig. 23).
- Snap upholstery tool (F) into caddy (Fig. 24).

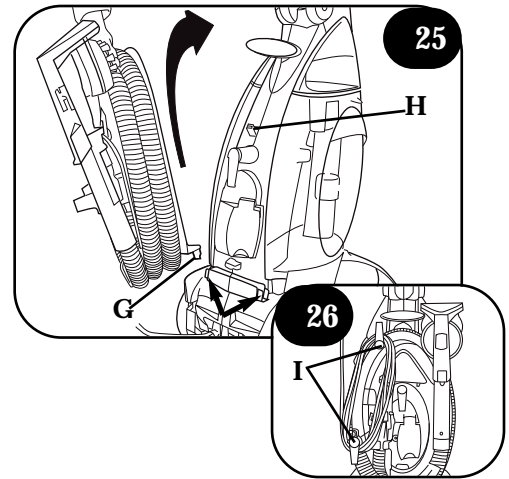


Hose caddy

You can either store the hose caddy on the cleaner or remove it to store separately.

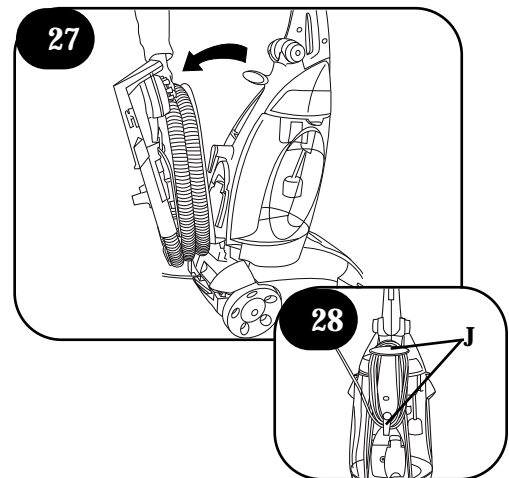
To store caddy on the cleaner:

- Slide tabs (G) on caddy into slots on back of cleaner (Fig. 25).
- Hook top of caddy to cleaner (H).
- Wrap cord around cord hooks (I) on caddy (Fig. 26). Rotate top hook to release cord.



To remove caddy from the cleaner:

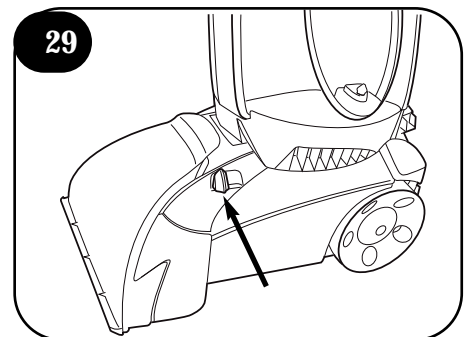
- Lift caddy off cleaner (Fig. 27).
- Wrap cord around cord hooks (J) on back of cleaner (Fig. 28). Rotate bottom hook to release cord.



Brush speed selector

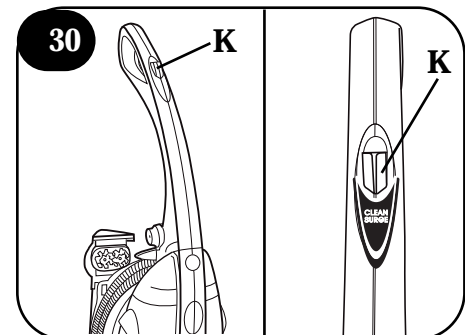
Choose **ON** for normal cleaning of carpet.

Choose **OFF** when brushing is not desired.



Clean Surge™ button

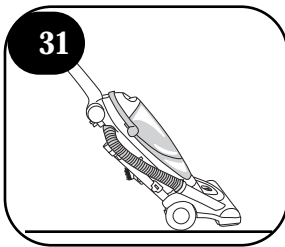
Push 'Clean Surge' button (K) to release extra cleaning solution. Use the 'Clean Surge' button when cleaning heavily soiled areas of carpet (traffic areas, spots, etc.)



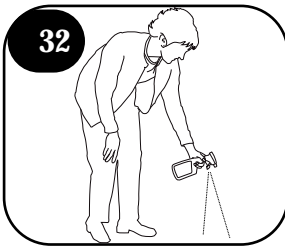
No cleaning solution removes all stains from all carpets. Stain removal varies with the type of spill, time passed before removal, carpet material, and carpet type.

Cleaning carpet

- 1 Remove lightweight furniture** (tables, lamps, etc.) from area to be cleaned. Protect any remaining furniture by pinning up furniture skirts and placing aluminum foil or plastic under legs.



- 2 Vacuum carpet thoroughly** to remove loose dirt, hair, lint and other debris (Fig. 31).

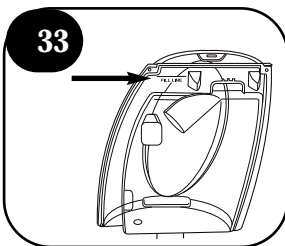


- 3 Test detergent for colorfastness** on a hidden area of carpet. Wet a white cloth or paper towel with some detergent. Gently rub onto a hidden area of carpet. Wait ten minutes. Blot with white cloth or paper towel and check for color transfer.

- 4 Pretreat spots, stains and high traffic areas** with HOOVER Spot and Stain Spray (Fig. 32).

Spray spot or area with Spot and Stain Spray. Then proceed with the next cleaning steps.

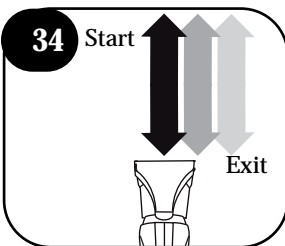
For stubborn spots or stains, refer to the stain guide included with your cleaner.



- 5 Fill solution tank** with hot tap water and proper amount of HOOVER detergent (see page 5) (Fig. 33).

Use only HOOVER brand detergents in your deep cleaner. Other brands may damage the deep cleaner.

- 6 Plan your cleaning to avoid walking on wet carpet.** Start at the end of the room farthest from the exit and work in small sections (Fig. 34).

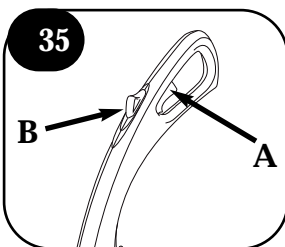


- 7 Step on handle release pedal and lower handle.** Turn cleaner ON.

- 8 Squeeze and hold trigger (A) to release cleaning solution (Fig. 35).** Push cleaner forward **SLOWLY** then pull it back **SLOWLY**.

Use 'Clean Surge' button (B) in heavily soiled areas (Fig. 35).

- 9 Let go of trigger and push cleaner over same area** to pick up dirty solution without putting down more solution. Continue using dry strokes until you see only a little solution coming up through the nozzle (front of cleaner).



- 10 Do not make the carpet too wet!** Use no more than two sets of forward and backward strokes while releasing solution. Always follow with dry strokes - the more the better.

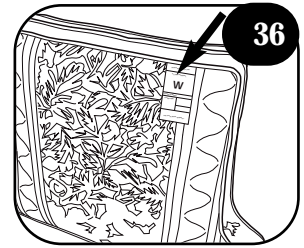
- 11 Listen carefully!** When the motor sound changes (rises in pitch), the recovery tank needs to be emptied.

When water has reached the full line in the recovery tank, the cleaner will NOT pick up dirty solution.

- 12 Allow carpet to dry.** Avoid walking on the carpet until it is dry. Increased air circulation (open doors, turn on fans, etc.) will help carpet dry thoroughly to prevent the growth of mold or mildew.

- 13 Vacuum thoroughly after carpet has dried.** This will reduce any shading left by the deep cleaner's brushes.

Cleaning upholstery



- 1** Check fabric cleaning code (Fig. 36). Look on the furniture manufacturer's tag for a 'W' or 'WS' code. These codes indicate that it is alright to use your deep cleaner to clean the upholstery.

Do not use the deep cleaner on upholstery marked 'S', 'X' or 'Dry Clean Only'.

- 2** Vacuum upholstery thoroughly with your vacuum cleaner's attachments.

- 3** Test detergent for colorfastness on a hidden area of upholstery.

Wet a white cloth or paper towel with some detergent. Gently rub onto a hidden area of upholstery. Wait ten minutes. Blot with white cloth or paper towel and check for color transfer.

- 4** Pretreat spots and stains with HOOVER Spot and Stain Spray (Fig. 37).

Spray spot or area with Spot and Stain Spray. Then proceed with the next cleaning steps.

For stubborn spots or stains, refer to the stain guide included with your cleaner.

- 5** Fill solution tank with hot tap water and proper amount of HOOVER detergent (see page 5)(Fig. 38).

Use only HOOVER brand detergents in your deep cleaner. Other brands may damage the deep cleaner.

- 6** Attach hose and tool as described in Figs. 13-19 (Fig. 39).

- 7** Place handle in full upright position. Turn cleaner ON.

- 8** Squeeze and hold trigger (A) to release cleaning solution. Gently press tool into fabric and slowly pull the tool over the fabric (Fig. 40).

- 9** Let go of trigger and pull tool over same area to pick up dirty solution without putting down more solution. Continue using dry strokes until you see only a little solution coming up through the tool.

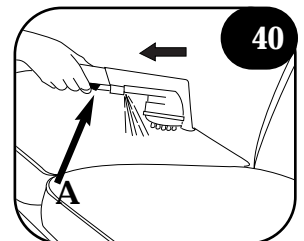
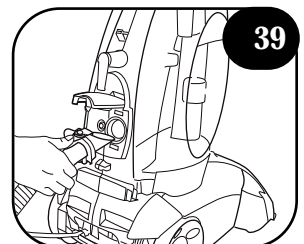
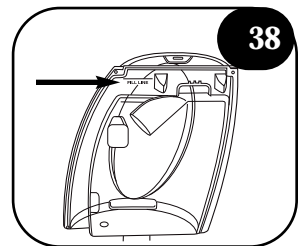
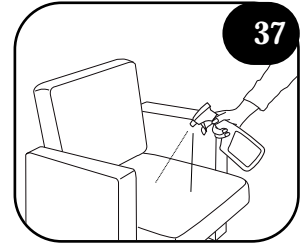
- 10** Do not make the upholstery too wet! Use no more than two strokes while releasing solution. Always follow with dry strokes - the more the better.

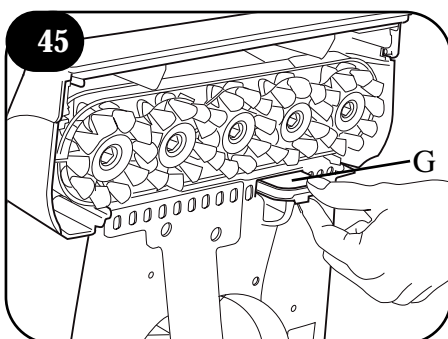
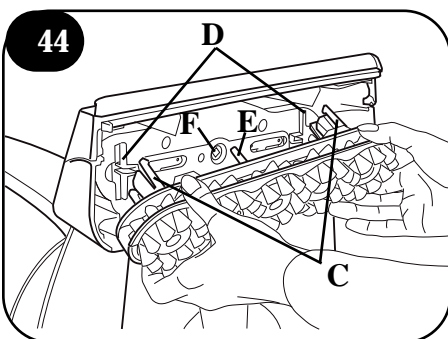
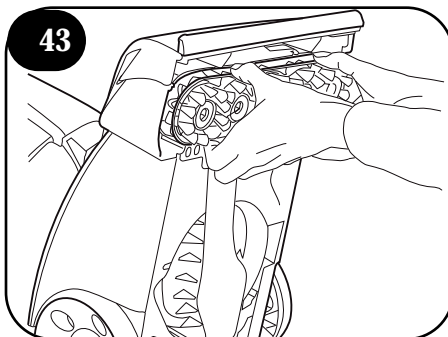
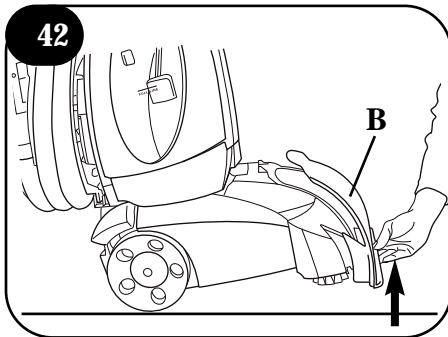
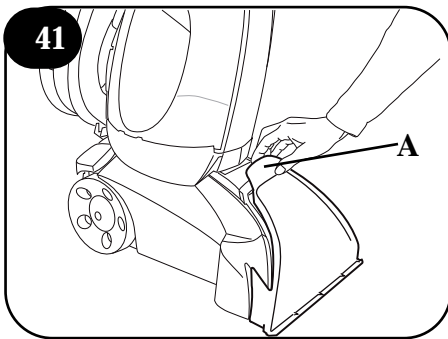
- 11** Listen carefully! When the motor sound changes (rises in pitch), the recovery tank need to be emptied.

When water has reached the full line in the recovery tank, the cleaner will NOT pick up dirty solution.

- 12** Allow upholstery to dry. Avoid using upholstery until it is dry.

Increased air circulation (open doors, turn on fans, etc.) will help upholstery dry thoroughly to prevent the growth of mold or mildew.





Routine care for your Deep Cleaner

Clean the nozzle

Unplug deep cleaner from electrical outlet.

- Remove solution and recovery tanks to prevent possible leaks.
- Lift up on top of nozzle (A) and slide off cleaner (Fig. 41).
- Wipe debris off nozzle and front of cleaner with a damp cloth.
- Tilt cleaner back, raising front of cleaner off floor. Slide nozzle (B) up from bottom of cleaner (Fig. 42).
- Press on upper portion of nozzle to snap in place.

Clean the brushes

Unplug deep cleaner from electrical outlet.

- Remove solution and recovery tanks to prevent possible leaks.
- Tilt cleaner back so handle rests on the floor.
- Pull brush assembly firmly to remove (Fig. 43).
- Rinse brushes under running water.

- Align posts (C) on brush assembly with slots (D) in cleaner (Fig. 44).
- Turn brushes slightly to align square post (E) with square hole (F) in cleaner (Fig. 44).
- Press brush assembly firmly and snap in place.

Clean the brush filter

Unplug deep cleaner from electrical outlet.

- Remove solution and recovery tanks to prevent possible leaks.
- Tilt cleaner back so handle rests on the floor.
- Squeeze filter frame (G) and pull it out until it stops (Fig. 45).
- Wipe debris off filter.
- Slide filter back into place.

Storing your Deep Cleaner

- ✓ Empty solution tank and rinse thoroughly.
- ✓ Place **empty** solution tank on deep cleaner. Turn deep cleaner ON. Squeeze trigger and push deep cleaner forward and back several times. This will clear any solution remaining inside the cleaner.
- ✓ Empty recovery tank, rinse thoroughly and let air dry.
- ✓ **Allow brushes and underside of deep cleaner to air dry thoroughly before storing deep cleaner on a carpeted or wood surface.**

Lubrication

The motor is equipped with bearings which contain sufficient lubrication for the life of the motor. The addition of lubricant could cause damage. **Do not add lubricant to motor bearings.**

Service

To obtain approved HOOVER service and genuine HOOVER parts, locate the nearest Hoover Factory Service Center or Authorized Hoover Warranty Service Dealer (Depot) by:

- ✓ Checking the Service Section of The Hoover Company on-line at www.hoover.com OR
- ✓ Checking the list of Factory Service Centers provided with this cleaner OR
- ✓ Checking the Yellow Pages under “Vacuum Cleaners - Household” OR
- ✓ Calling 1-800-944-9200 for an automated referral of authorized service outlet locations (U.S. only)

Do not send your cleaner to The Hoover Company in North Canton for service; this will only result in delay.

If further assistance is needed, contact The Hoover Company Consumer Response Center, North Canton, Ohio 44720, Phone: 330-499-9499.

In Canada, contact Hoover Canada, Burlington, Ontario L7R 4A8, Phone: 1-800-263-6376.

Always identify your cleaner by the complete model number when requesting information or ordering parts. (The model number appears on the back of the cleaner.)

Troubleshooting

Use the list below to help solve minor problems.

What's the problem?	What to do
Deep cleaner won't run	<ul style="list-style-type: none"> ✓ Make sure the cleaner is plugged in firmly. ✓ Check the fuse or breaker.
Low suction	<ul style="list-style-type: none"> ✓ Empty the recovery tank; it may be full and the automatic shut-off engaged. ✓ Make sure recovery tank cap is securely latched.
Cleaning solution won't dispense	<ul style="list-style-type: none"> ✓ Make sure solution tank is securely in place ✓ Refill the solution tank if it is empty
Brushes won't rotate	<ul style="list-style-type: none"> ✓ Clean brush filter as described in Fig. 45. ✓ Set Brush Speed Selector to ON.
Low suction in hose during tool use	<ul style="list-style-type: none"> ✓ Make sure recovery tank cap is securely latched. ✓ Disconnect hose from cleaner and check for blockage in hose.

Full One Year Warranty

(Domestic Use)

Your HOOVER® appliance is warranted in normal household use, in accordance with the Owner's Manual against original defects in material and workmanship for a period of one full year from date of purchase. This warranty provides, at no cost to you, all labor and parts to place this appliance in correct operating condition during the warranted period. This warranty applies when the appliance is purchased in the United States including its territories and possessions, or in Canada or from a U. S. Military Exchange. Appliances purchased elsewhere are covered by a limited one year warranty which covers the cost of parts only. This warranty does not apply if the appliance is used in a commercial or rental application.

This warranty only applies when the product is in use in the country or territory in which it is purchased.

Warranty service can only be obtained by presenting the appliance to one of the following authorized warranty service outlets. Proof of purchase will be required before service is rendered.

1. Hoover Factory Service Centers.
2. Hoover Authorized Warranty Service Dealers (Depots).

For an automated referral of authorized service outlets in the U.S.A., phone 1-800-944-9200 OR visit The Hoover Company on-line at www.hoover.com

This warranty does not cover pick up delivery, or house calls; however, if you mail your appliance to a Hoover Factory Service Center for warranty service, transportation will be paid one way.

While this warranty gives you specific legal rights, you may also have other rights which vary from state to state.

If further assistance is needed, or if there are questions concerning this warranty or the availability of warranty service outlets, write or phone the Consumer Response Center, The Hoover Company, 101 East Maple St., North Canton, Ohio 44720, Phone 1-330-499-9499.

In Canada, contact Hoover Canada, Burlington, Ontario L7R 4A8, 1-800-263-6376.

