

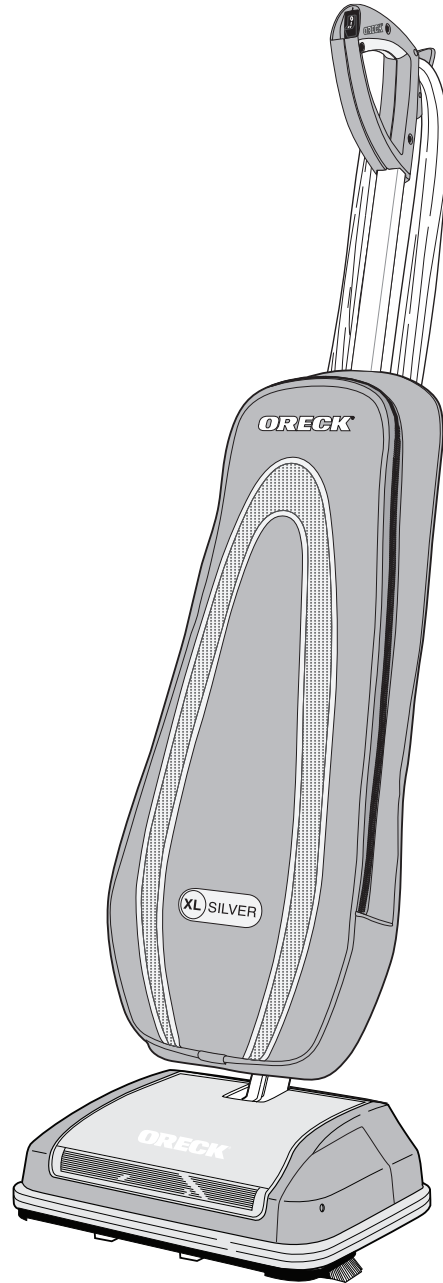
ORECK[®] XL[®]

' @H607F= #:89E16:89E

, AC89E- 24FF>

(o#2.; #.;2<

, D60D
F:56



ORECK clean home[™]
HEALTHIER. EASIER. SMARTER.[™]

 **Microban[®]**
antimicrobial product protection

6 98; ≠ 7=

) 625 2=: ?DE4E@D4267=J 2?5 <66A7@7FE6 6766?46

\$:40B2? :D2 68:DE65 E256- 2G @ \$:40B2? ' 03F4E @ A2?J @A@2E@ %@09 20@?2

* 276E

.7.;*5 *;720<

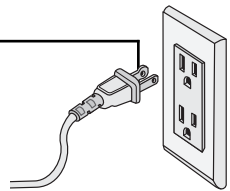
! IMPORTANT SAFETY INSTRUCTIONS!

. 96? FD?8 2? 6-64E42=2AA=2?46 32D4 AC64FE@DD9@-5 2+H2JD36 7@-@H65 :?4F5:78 B6 7@-@H1:78
! EAD ALL IN"#! \$C#ION" BEFO! E \$"ING #HI" %AC\$ \$M CLEANE!
&A! NING #5 8+*;)+ :. + 8/91 5, ,/8+, +2+):8/) 9.5)1, 58 /40;8?:
] @?@E-62C6 2AA=2?46 F?2H5?565 H96? AF8865 :? , ?A-F8 70@ @E6E-196? ?@E? F6 2?5 367@6 D6C4:78
] @?@F6 @F5 @D@ @H6EFC246D
] @?@E-62C6 B6 F?:E H9:-6 :? B6 FAC89E2?5 =@-65 A@E@
] @?@E-6E96 F?:E F? H9:-6 :? 2?J @6 D?E@2C A@E@ 7@2?J A6C@ @E> 6 " 66A B6 F?:E @?78 H9:-6
: ? @62E@
] @?@E2=@H E@36 F65 2D2 E@ =@6 2H5?E@ :D?646D2C H96? F65 3J @?62C49:-5@?
] , D @-J 2D56D365 :? B:D> 2?F2=, D @-J > 2?F24E6D6C4@ > 6?565 2E249> 6?E D
] @?@F6 H:B 52> 2865 4@ @A-F8 72AA=2?46 :D?@H @<?8 2D:E D@-5 92D366? 50@A65 52> 2865
=7E@F5 @D @50@A65 :?E@H2E6 C6E? :E@2 D6C46 46?E C@42=4F6@ 6D6C46 2E
\$": 1-800-989-3535 C'4'*': 1-888-676-7325
] @?@AF=@42C 3J 4@ F6 4@5 2D2 92?5-6 4-@5 5@D@ 4@5 @AF=4@5 20@?5 D92A 6586D
@4@6D
] " 66A 4@5 2H2J 70@ 962E5 DFC246D
] @?@E? 2AA=2?46 @6C4@5
] @?@F?A-F8 3J AF=78 @ 4@5 +@F?A-F8 8C2DA B6 A-F8 ?@B6 4@5
] @?@E92?5-6 A-F8 @2AA=2?46 H:B H6E92?5D
] @?@AFE2?J @:64E ?E@6?:?8D @?@F6 H:B 2?J @6?:?8 3-@<65 <66A 7@6 @5FDE=?E 92C
2?5 2?J B:78 B2E> 2J 65F46 2C7@H
] " 66A 92C=@@6 4-@<?8 7?86D2?5 2=A2@D@3@J 2H2J 70@ @6?:?8D2?5 > @?78 A2@D
] @?@F6 @A4< FA 2?J B:78 B2E D3FC?:?8 @D @<?8 D?49 2D4:82@E6D > 2E96D @9 @2D96D
] @?@F6 H:B @E7:@C328 2D@> 3-J :? A=246
] +FC? @72=4@E@D367@6 F?A-F88:78
] , D6 E 2 42@ H96? 4-62?:?8 @ D?D
] @?@F6 @A4< FA 7@> > 23-6 @4@ 3FDE3-6 =BF:5D D?49 2D82D@?6 @=89E6C7F:5 @F6 :? 2@2DH96@
B6J > 2J 36 A@6?E
] @?@F6 2AA=2?46 :? 2? 6?4-@65 DA246 H96@ 7@> > 23-6 6I A-@C @E@:4 GA@D2@ 8:G? @73J @=32@
A2?E A2?E B:??6C D@ 6 > @A@C@?8 D?3D?246D @: ? 2? 2@2 H96@ 7@> > 23-6 5FDE D@6?E
] @?@A4< FA @:4 > 2E6C=D?49 2D49=@?6 3-6249 5C? ? 4-62?6C 82D@?6 6E H:B B:D2AA=2?46
] , D 42FE@ H96? G24FF> :?8 @6C2@2 F8 6586D2?5 7C?86

SAVE THESE INSTRUCTIONS

Household Use Only

A@2C65 A-F8 92D@6 @?7565 A@8 2?5 @6 D?2:89EAC@8
+96 @?7565 6?5 8@D: ?E@B6 =@86E@<6ED@E
+@65F46 B6 CD: @6-64E4 D@< B:D6BF:A> 6?E92D2 A@2C65 A-F8
@6 3-256 :DH:56C B2? B6 @6C +9:DAF8 H:=7E? 2 A@2C65 @E6E
@-J @6 H2J 7 B6 A-F8 5@D? @E7E7-? :? B6 @E6E @6@6 B6 A-F8
7: EDE=5 @D? @E7E 4@E4E F2=7:65 A6D@?6=E@ ?D?@B6 A@2C65 @E6E
@?@E2E6C B6 A-F8 :? 2?J H2J



?; @

+92?<J @ 7@AF@92D?8 @C&G4</ #', *:-66* 606DFAC89EG24FF> 4-62?6C+96, 762F6D2
J62CH2C?7E B 2?5 7@66 EF?6 FAD+96 6-@ 7-@E?@ E2AD> @6 B2? @2=A2E46D:74F5:78 A@6?
> @5 DA@6D2?5 A6E52?56C ?5 3642F6 :ED2? &G4< :E42? G6E@6 B6 ?2A @J @C42@6E B6 G6J 7@E> 6 J @
F6 :E

2=
=4<
- :DE



+@D62< H:B 2? &G4< G@6@?E@C6 42=
, * 2?252



&? B6 H63 A@?E2?5 4<4< 2E @@@8; , 4, 86



- :DEFD: ? A6D@ 2E@6 @ @6C D@6 =@2E@D +@?75 B6 ?62@E@6@
A62@ 42= 8; , 4<8; @GDE@@@8; , 4<8; , 86

.) % % ' @F4E4@E?D496> :42-D<?@H? E@B6 * E6 @ 2=7@?2 E@42F6 42?46C2?5 3: @ 56764E@ @
@96C@A@CF4E@6 92C



#*/.B
 6?62= 2C:78D
 9.;*B7
 ' 20D#:DE
 D6> 3=78 B6 275-6+F36
 &A6C2E78 B6- 24FF>
 &A6C2E78) 64@ > 6752E@D
 .7.;*57/8;6*B7
 :DA@23-6&5@ :89E78 FDE 28D
 \$:40@2?
 6-@ :F2E@ *J06>
 +96 6E
 #F3C42E@
 *Z= 7*7,.
) 6A-24:78 :DA@23-6&5@ :89E78 FDE 28
) 6A-24:78. @ 6E
 5;FDE78 @) 6A-24:78 FDE@
) 6A-24:78 586 FDE
) 6A-24:78 #:89E F-3D
 *E77:78 @ =@-286
 \$,8>+5<188-70
 !*;*
 446DD@6D) 6A-246> 67E 20D
 ' *;,*7B
 <9*M85 >K .5%<*;B
 >2. Q-22* B7 ;*7G2

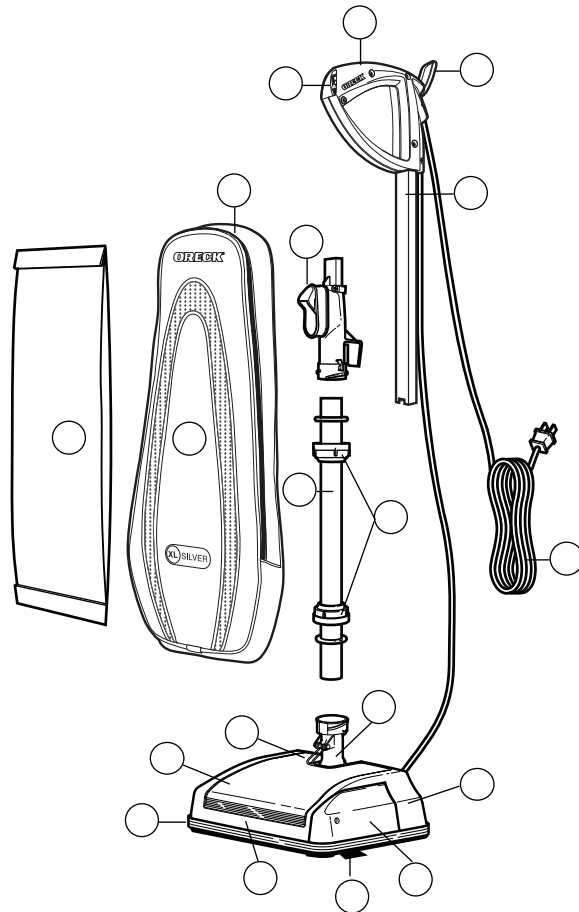


&A6C2E@

+@2DDIEJ@ :?
 :56?E7J:78 J@C
 G24FF> HD4@ A@67D
 B6 A20E92G6 366?
 ?F> 36G65 2D7@-@HD

!*;* 2=

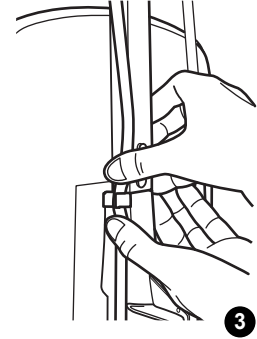
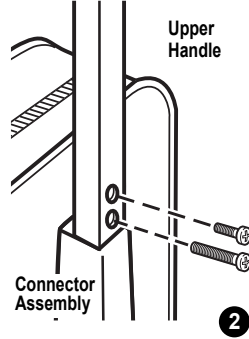
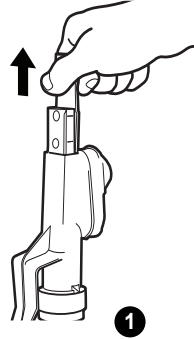
*7-5
 7 //#@-1
 8;- 884
 *7-5 \$+.
)29. ;
 >69. ;
 -0. ;<1
 .5 88;
 !8@; 8;-
 877.,@; ./5, @; << 6+B
 85;<
 8@; \$+.
 *7 8>70
 *0#9;70
 >+; *0
 !8@; .*
 298*+5 2; ;< *0
 *<2
 8>70



&A6C2E@

<< 6 +570 =. *7-5 \$>+.

- ① 67@2D@ 3=78 2AA=2746 @ @6EH@D@GHD7@ @B64@?64E@2D@ 3-J) 6> @6 :?DCEJ AF=?8 FAH2G
- ② * =56 FAA6C9275-6 DME@ @6C96 > 249:78 DME@ @B64@?64E@2D@ 3-J ?DCEJ@EDIGH :?E@ EA9@6 275 =@8 D@GH :?E@B6 3@E@ 9@6 B6? E89E? 7.G =J F?E=9275-6 :D? @=@86C=@@
- ③ * ?2A4@5 2D@ 3-J :?E@B6 4@5 4=A=@2E5 @ B6 =7ED56 @ B6 4@2C#62G 6l 46D4@5 2EB9 A@H6C9625 E@2=@H > @6 67E

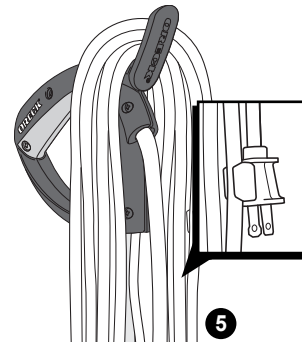


9. ; * =70 =. &* , >>6

\$ 2<6 DFC B6 :DA@23-6 &5@ :89E?8 5FDE328 :D.? A=246 DO NO# @62E B6 4=6276CH: B@E2 5FDE328
 ' =F8 B6 A@H6C4@5 :?E@2? 6-64E42=@E6E275 A@DDE96 O4 (/) - OFF (O) DH: B9 @ 9275-6 2D@ 3-J H96?
 G25J E@6C2E

- ④ %9! 8<287 8, 4 ' =46 7@E@ A@H6C9625 275 =62? 9275-6 324< 86?EJ E@6-62E =@< 7@G24FF> FD6) 6FC? 9275-6 E@B6 7=FAC89EA@E@ E@678286 =@< N5: +: @? @6C2E B6 F?: EH9: =6 :? B6 FAC89E275 =@< 65 A@E@ @? @E6E96 F?: ECF? H9: =6 :? 2?J @ 6 DEE@2C A@E@ 7@2?J A6C@ @E= 6 " 66A B6 F?: E> @B78 H9: =6 :? @6C2E

- ⑤ * <B! 8@; 8: - #8,*0. . CAA@H6C4@5 2CF75 4@5 9@ @ 9275-6 275 4@5 9@ @ 4@?64E@* 64FC E@, g D2A65 A2E@ AF8



9. ; * =70 7<=>, =B7<

+9:D?6H &) " , AC89E:D@6 @B6 7?6DE 7DDE 275 DE@86DF?: ED?: ED4=DD O @H=@6 B6 H2J :E4=62?D
 86EDF?56C9:78D 275 :ED* & =89EH6:89E275 62D E@FD
 +96 7@-@H:78 2G 2 7H D> A=6 DF886E@DG82G:78 :ED@6C2E@
 . 96? :?DCE78 2?6H 5:DA@23-6 5FDE328) * + ' , & , + 275 & ' % +
 . 96? B6 5:DA@23-6 5FDE328 :DF=) ' # +
 72E2?J E> 6 B6 > 249:76 5@D? @A4< FAA@26GJ @> 2=6D2? F?FD2=?@D * + & ' & ') + & % 275 DCG46
 =@89 J @CFAC89EH: =A4< FA A?D A2A6C4=AD 275 @B6C@ 2=@; 64E :ED@4@ > 67565 B2EB6D 36
 @> @65 7@ B6 7=@C367@J @ G24FF> 2=F@E@5@D@ 2J @E?E? A6G 276?E52> 286 E@B6 > @@
 DF4E@ 7? 275 :ED9@D?8
 .) % % @? @FDJ @FCG24FF> 4=6276C@ 52> A @H6EDFC246D +9:DH: =42FD 52> 286 E@B6 G24FF>
 4=6276C275 :D52786C@DE@B6 F@C 2> 286 42FD 5 3J FD @ H6E@52> A DFC246D:D? @4@6@5 F?56CH2C2?E
 @@E> 2=A67@5 2746 GA=246 B6 36-E6G@ > @B9
 964< B6 5:DA@23-6 7=6C5FDE328 2E=62E@46 2> @B
 & % & + CF? B6 G24FF> 4=6276C@6C96 4@5 +96 @G@G78 3CFD 4@5 52> 286 B6 4@5
 , D 42FE@ H96? G24FF> :78 @6C2G2 F8 6586D275 7C?86

6?6Q=
?7@ 2E@

+96 A67@ 2746 @J@FC76H 462?6C862EJ 56A675DFA@ 42G 275 > 2?F5?2746 +96 :?DF4E@D.? B:D> 2?F2=
H:=-8F:56 J@ :? A67@ :?8 32D4 42G 275 > 2?F5?2746 +@@E? B96 > @HE?EDJ:78 J62D@?D6C346 625 B96
:?DF4E@D275 <66A B96> 92?5J 7@?F7E6 6766?46

298<*+5 -8; 01=70 ><= *0<

:DA@23-6 &5@ :89E?8 5FIE328DA-2J 2 G6Q :> A@E?E@6 :? B96 677:4:6?4J @J@FC&) " G24FF> 462?6C
+96 AFA@6 @ B96 5FIE328 :DE@E2A 5:CE 3FE2E96 D> 6 E> 6 :E> FIE36 A@?D6? @89 E@2-@H 2CE@A2DD
B9C@89 7 B96 5FIE328 364@ 6D4-@865 ?@2C42? A2DD B9C@89 B96 462?6C275 462?:?8 42?? @E2<6 A-246
6825-6DD@ B96 462?6CDA@H6C

+@66AJ@C462?6C@62E?8 2E> 2I :> F> 677:4:6?4J 492?86 B96 5FIE328 76BF6?EJ
DO NO# FILL ABO% E #HE LINE INDICA#ED ON #HE D\$"# BAG

6 DFC B96 5:DA@23-6 7:6C5FIE328 :D.?D2=65 A@6GJ N5:+: =5:DA@23-6 7:6C5FIE328D26 ?@B96 D> 6
0 @FC&) " 5:DA@23-6 5FIE328D92G6 366? 56D8?65 E@36 FIE H: B96 &) " 462?6C, D?8 328D@B9C B92?
86?F:76 &) " +0' 5:DA@23-6 328DH:=2764E96 462?:?8 23:=EJ @J@FC462?6C275 4@-5 42FD6 52> 286
E@E

2:8+*7°

&G4< 25565 \$:40@2? @B96 -6J E@49A@?E@ B96 F?:E 92?5-6 275 328 5@< H9:-6 > 2?F24EFC?8 B9:DFAC89E
G24FF> 462?6C.? @56CE@?9:3:E96 8C@H B9 @324EBC2 :? 275 @ B96 G24FF> . 96? > :40@6D F49 2D324EBC2
> @5 275 > :56H 4@ 6 :? 4@E24EH: B96 A@CF4EJFC246 \$:40@2? A6?6E2E6D B96 46=H2=275 5:DFAE@6J
7?4E@DD@B96J 42?? @8C@H @GAC@F46 0 @FC&G4< H:=D2J 462?6C=@86C

.5, ° 25* -87 #B< 6

+96 6-@ @B9C328 @J@FCG24FF> 462?6C:D9:89 7:HE2E@ > 65:42=> 2E6C2=56D8?65 E@7:6C B96 D> 2-6E
@5FIEA2E46D E.D:> A@E?E B96 :?D56 @ B96 @B9C328 36 462?65 - 24FF> B96 :?D56 @ B96 @B9C328 @92?5
H2D B9C?65 :?D56 @E H: B9 H2G H2E6C275 2C5Q 756D65 B96 6-@ @B9C328 42? 36 6A-2465 7@G?6H65
677:4:6?4J +96 6-@ -2J665 5:DA@23-6 :?6C5FIE328 > FIE36 6A-2465 @46 2 > @B9 6C6? :7:E.D?@E7= 92786
:E> @6? :7:E.DFIE5 :? 6 E6= 6J 5:G 262D ?462E B96 462?:?8 A@H6C@J@FCG24FF> 3J 492?8:78 B96 328
@6?

\$1. .5

+96 36E@ J@FCG24FF> 462?6C4@E@D B96 DA665 @ B96 6G@G?8 3CFD 275 :DG6Q :> A@E?E7@B96 6764E6G
@6C2E@ @ B96 462?6C 7 B96 36-E364@ 6DKEE965 @4FE :EH:=42FD B96 6G@G?8 3CFD E@E@A 4@ A-66EJ @
D@H 5@H? * 66 :?DF4E@D.? B96 > 2?F2=7@G6A-24:78 36E

N5:+: ? 6I E2 36E DIF65 :? B96 32DA-2E @J@FC462?6C. 96? 3FJ:78 6A-246 6?E36E D FIE &#%0 &) "
86?F:76 36E 6E@ B9C B92? &G4< 36E H:=? @6C2E B96 6G@G?8 3CFD 4@G4EJ 275 > 2J 462E F?5F6
DE6DH9:49 H:=42FD 52> 286 E@B96 > @C275 3CFD 362C?8D, D?8 36E@ B9C B92? &) " 36E H:=G@5 B96
H2C2?E

>+;2* -87

+96 G24FF> 462?6C> @C362C?8D26 724E@ =F3C42E5 275 D2-65 F@B6C-F3C42E@ :D?@E6F:65

%\$

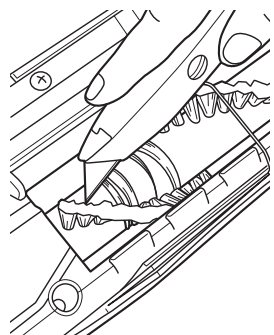
' 88- 58;< #8/= 827E5 <91*5\$5 . = 58; #; /*, . <*7- ! 8521.- 58; 721.<

, D6 7-@275 7-@C7?:D9 > 2?F24EFC@D64@ > 6?565 > 6B9@D@ 462?:?8 +96
@6C3CFD > 2J 2-E@DIF7 G6Q D@E?:D96D @?@6C2E B96 F?:EH9:-6 :? B96
FAC89E275 =@-65 A@E@ @?@6E B96 F?:E?F? H9:-6 :? 2?J @6 D2E@2CJ A@
E@ 7@2?J A6C@ @E> 6 " 66A B96 F?:E> @?8 H9:-6 :? @62E@

N5:+: E-62E@46 2> @B9 4964< 7@275 6> @6 6I 46D6 =?E DE?8 @92C7@
6G@G?8 3CFD ' 2E?E5 462?:?8 8C@6D@ 3CFD @-H:=2-@H 62D6C462?:?8

. :A6 B96 @E56 @ B96 462?6C H: B9 252> A4-@ -D@462? B96 4@?64E@567464E@
2D@ 3-J 262 32E @ 462?6C275 72? 9@D?8 262 7 B96 G:D5FIE? B96 @B9C328
G24FF> :E@D92-6 :E@E

=E6 A6G6?E6G > 2?F5?2746 H:=-66AJ@C462?6C-@? :?8 ?6H 275 H:=-6?DF6
4@E?F65 462?:?8 6764E6G?6DD



\$ 2?E?2?46

" . 95, 20 298<*+5 -8; 201-70 >=< *0

▲ &A!NING: \$462; -)58* ,85.3 +2+):8/)'2.5; :2+; (+,58+ 9+8</)/4-.

BAG !EMO%AL:

6 , ?KA @EBC328 4@ A6E-J

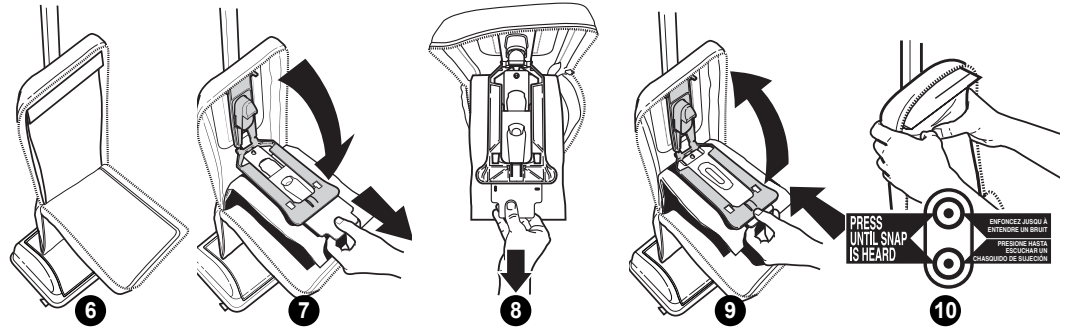
7 ' F=328 4253@C5 4@2CF@G-62B 328 5@< 5@C@7C@ 4@?64E@C 28 5@< 5@C@H:=9:786 5@H?H2C5

8 6?EJ AF=328 4253@C5 4@2CF@H2C5 @E@E96 328 5@< * 2?:D62= 5FDH2=H:=4-@6 2FE@ 2E42=J

BAG IN"#ALLA#ION:

9 * =56 B6 4253@C5 4@2C4@ A6E-J @E@328 5@< 5@C@

10 :G =J AFD9 328 5@< 5@C@H: B 3@ BF> 3D@ :?5:42E@ A@?EF?E:=ED?2AD



" . 95, 20' 8;7 .5-

▲ &A!NING: \$462; -)58* ,85.3 +2+):8/)'2.5; :2+; (+,58+ 9+8</)/4-.

11) 6> @6 B6 GA-246> 6?E36-E7C@ B6 DE@286 492?76=

12) 6> @6 B6 5@C@3J @> @?8 B6 9@5 5@H? D@GH =@2E5 @ D56 @A@H6C9625

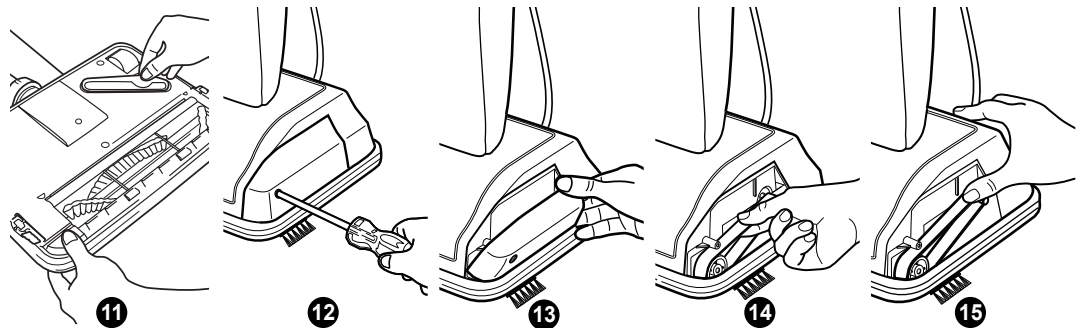
13 @5 5@C@2H2J 7C@ B6 A@H6C9625 2?5 =7E: E2H2J

14) 6> @6 B6 36-E7C@ B6 > @C@5C6 D927E2?5 3CFD9 @@AF=6J

15 # @A B6 ?6H 36-E@6C@B6 3CFD9 @@AF=6J ' =246 B6 @A@B6 6?5 @?B6 36-E@ B6 > @C@5C6 D927E

13) 6A-246 B6 5@C@3J A-24:78 B6 3@E@ E3 @ 5@C@?E@D@D=@2E5 :?D56 A@H6C9625 2?5 A@D?8 B6 5@C@4-@65

12) 6A-246 B6 9@5 5@H? D@GH 2?5 E89E5?



- 3<-70 8; " . 95, 20 ;><1;85

▲ &A!NING: \$462; -)58* ,85.3 +2+):8/)'2.5; :2+; (+,58+ 9+8</)/4-.

+@56E@ :?6 :7B6 3CFD9@=DH@? A-246 2.7.G DE2.89E6586 24C@D@B6 ?@K6 @6?:?8 73CFD9@=3CIE6D5@ ?@E@ B6?5 36J@5 32DA-2E 3CFD9@=D@?5 36 25;F@E5

16) 6> @6 B6 32DA-2E 3J @> @?8 D@GH D+96? @> @6 B6 36-E2?5 3CFD9@=7C@ B6 9@D?8

17) @E6 3@ 362C?8 2D@> 3=6D2E6?5D@C3CFD9@=FD9@H f &# g 2?5 GA-246 :? B6 9@5:78 492?76-D? B6 9@D?8

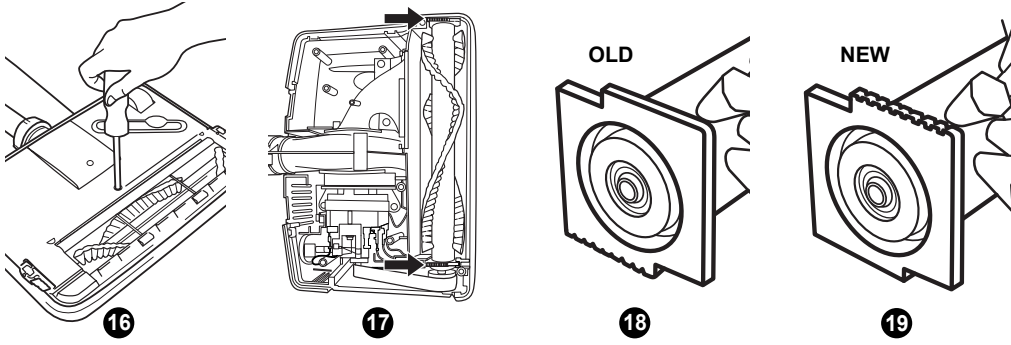
18 N5+: +96 362C?8 2D@> 3=J D@E?8 > 2G-6E f &# g 92D?@C3D@ B6 EA @ B6 2D@> 3=J

19 +96 @6 > 2G-65 f% . g 92D@B6C2=C3D. 96? @E?E?8 362C?8D > 2<6 DFC 3@ 362C?8 2D@> 3=J D@E?8D2G B6 D> 6 2?5 7246 FAH96? GA-24:78 B6 3CFD9@=

15) 62D@> 3-6 B6 36-E

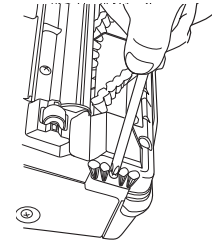
16) 62D@> 3-6 B6 32DA-2E

72 ACG @FD25, FLE 67E92D2-625J 366? > 256 275 3CIE6 96.89E5 @D? @E6 E75 23 @E B6 32DA-2E 2 ?6H 3CFD 2ID> 3-J D9 @-5 36 @56C5
 IMPO! #AN#: \$42+99 :.+ (8;9. /9 =584 '9 /4* /)' :+* ' (5<+, (5: . (+ '8/4-9 3 ;9: (+ /4 :.+ LNE & M 659:/54. & .+4 85: '/4-, (5: .
 (+ '8/4-9 3 ;9: (+ /4 :.+ LOLDM 659:/54. \$43 ' :).+* 9+::/4-9) '4)' ;9+ * '3 '-+ :5 :.+ ;4/:



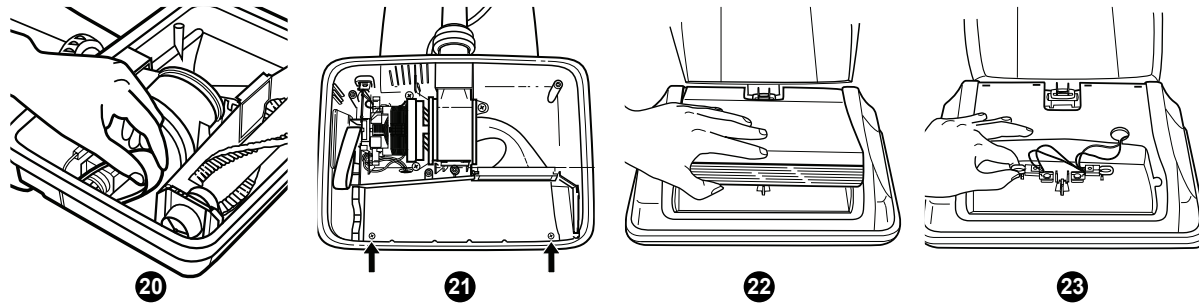
". 95, 20 -0. ;<1

⚠ & A ! NING: \$462; -)58* ,853 +2+):8/)'2 5; :2+ (+, 58+ 9+8< /)4-.
 +FC B6 A@H6C9625 @6C. :B 32DA-2E 724:78 FA @ @E B6 DIGH -@2E5 :? B6 46? EC @ 6249 6586 3CFD
) 6> @E 3 @ 6586 3CFD 6D275 @A-246 H: B ?6H @6D) 6A-246 3 @ DIGH D275 E89E?



". 95, 20 2D1= >5<

- 16) 6> @E B6 32DA-2E 3J @ @E78 DIGH D
- 20) 6> @E B6 36E7 @ B6 3CFD @-AF=6J +96? @ @E B6 3CFD @-7 @ B6 9 @FD78
- 21) 6> @E B6 7D:2 3J @ @E78 DIGH D
- 22) @E B6 7D:2 2H2J 7 @ B6 A@H6C9625 275 =7E E2H2J
- 23) F=3FC765 @E3F=3 7 @ 9 @56C275 @A-246 H: B ?6H 3F=3
- 22) 62ID> 3-6 B6 7D:2
- 20) 62ID> 3-6 B6 3CFD @-275 36E
- 16) 62ID> 3-6 B6 32DA-2E



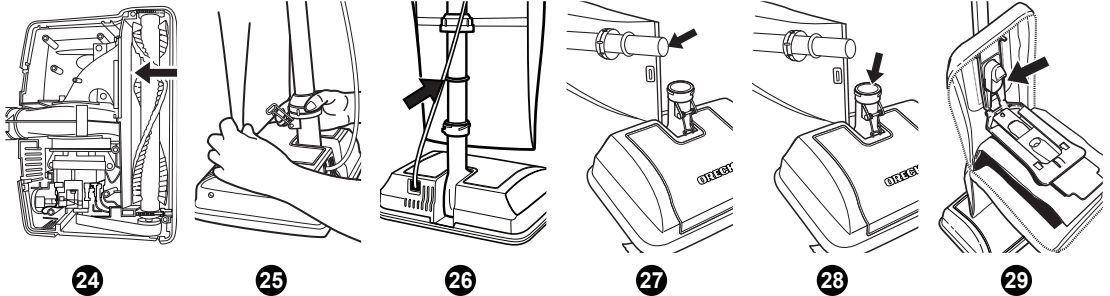
\$ 2?E?2?46

#=>//Z08; 5, 4*0.

IMPO! #AN#: &? AFD9 275 ?6H 4206ED DEF7:78 > 2J @4FC: ?D56 B6 :?E-6 EF36 275 B6 =@H6CF36
 2D6> 3- J +9:D:D5F6 E@6 46DDG6 7FKK275 =@D6 4FIE?8D: ? B6 4206E * EF7:78 4@-5 @4FC7@B6 7. DE76H
 462?:?8DF?E=2=B6 =@D6 > 2E6C2=:D@ > @65 F6 E@B6 9:89 677:4:6?4J @B6 462?6C > 2?J @56C4206ED
 H:=42FD6 DEF7:78 H96? B6 462?6C:D7:DEFD65 @ B6> 7J @CG24FF> 462?6C5@D? @A4: FAAC@6GJ @
 > 2<6DF?FD?=@D6 275 B6 @B6C328 5@D? @E7F7FA @32=@ @6? 7@-@H B6D6 DEAD

! &A! NING: \$462;-)58* ,853 +(+):8/)'15;:2+ (+,58+ 9+8<)/4-.

- 24 964< 7@3=@-286 2E96 > @B9 @B6: ?E-6 @6?:78 7B66:D3=@-286 @ @6 :EH: B @8 ?@A=6D
 2 D@GH5CG6C@4@E92786C 7J @ 42? ?@E6249 B6 3=@-286 @ @6 32D6A2E6) @ @6 B6 32D6A2E6 3J
 @ @3?8 D@GH D66 f 5;FIE78 @ 6A24:78 FID@ @g
- 25 7B6 3=@-286 :D? @E2E96 32D6 @ @6 =@H6CF36 , ?9@ @ 328 DAC?8 @62D?8 3@ @ @ 328
- 26 +H: DE=@H6C4@2C4@?B@-@H: D @D:56 FA ' F=EF36 @E@ 32D6
- 27 964< 7@3=@-286 73=@-286 :D? B6 EF36 @ @6 H: B 24@E92786C
- 28 7EF36 :D? @3=@-65 =@ :?E@? 9@D?8) @ @6 563CDH: B @8 ? @A=6D 2 D@GH5CG6C@4@E92786C
- 26 +@62D6> 3-6 4964< & C?8 @ EF36 275 @A246 :752> 2865) 6A246 EF36 3J 7. DE=? :?8 FA D@E2E32D @
 EF36 H: B E3 :?D56 7? 9@D?8 ?D@EF36 275 AFD9 5@H? F?E=B6 EF36 :D@E2E6 \$ 2-6 DFC & C?8 :D: ?
 A246 282 ?DEZ? 9@D?8 @6?:78) 6A246 275 E89B? 4@2CF?E-4@2C-@ < ?8 E3D2@ @-65 :? A246
) 62E249 328 DAC?8
- 29 \$ 2?J E- 6D3=@-286 @4FD5F6 E@2 7=5FIE328 42FD?8 5: @E@324< 5@H? B6 2C7@H D@D6> . 96? B2E
 92AA6?D B6 3=@-286 H:=36 2E96 @A @ B6 D@D6> DEZE?8 :? B6 2@2 H96@ B6 5FIE328 4@?64DE@B6
 4@?64E@2D6> 3- J
 N5+: 7B6 23 @6 24E@D5@? @4@64E96 A@3-6> 4@E24E? & @4< 2F9 @K65 D@G46 46?B@C@42=B6
 4FIE@ 6D@G46 46?B@C \$": 1-800-989-3535 C'4 '*': 1-888-676-7325



+@E3=6
 D@E?8

* 6CG46 A@3-6> DE92E
 2AA62CE@36 > 2; @42?
 @B? 36 D@G65 62D- J
 0 @ 42? 36 J @C@H?
 E@F3-6D@ @B6C3J
 @G6H: ?8 B: D8F:56

A2 5: .+8 9+8<)/4-
 9.5;?* (+ *54+ (? '4
 O8+)1 ' ;: .58/@+*
 9+8<)/+)+4:+8.

! ;8+56	1. , 4	' 1* =8-8
C2+ '4+8 =/2 45: 8; 4.] %@A-F8865 :? AC@6GJ] %@G64E4: B :? H2=@E6E] 6 DFC 462?6C:D7G -J AF8865 :?E@H2=@E6E] 964< 664E42-D@F46 e FID @4: @F: E3@2-6C
C2+ '4+8 *5+9 45: 6/1 ; 6.] :@C 28 :D7=] %@K6 @: ?E-6 A@G@ 4-@865] 6-E D3@6? @D@E4965] FID :DH@] 28 EF36 4-@865] 28 A@D2@ 4-@865 H: B 7?6 5FIE] > A6-6C7? :D3@6?]) 6G@G?8 3FD9 :D? @ 6G? 2E3@ 6?5D]) 6A246 7-@C328 * 66f) 6A24:78 :D@D3-6 &5@ :89E?8 FIE 28g] -62@D@F4E@]) 6A246 36-E] * 66f 5;FIE78 @ 6A24:78 FID @ @g] -62@D@F4E@] 92786 328]) 6F@ E@ 6CG46 6?B@C@G@2C] 964< 362C?8 @2=\$ 2-6 DFC H @Df &# g @I % . g 2E6249 6?5
\$4/: 9:/2 *5+9 45: 56+8':+ 6856+8?.] 964< 2=B6 23@6 A@?ED] @E24E@ @4< 7@D@G46

' 202

=2446DD2D2?5 (A-246> 6?EA2ED2G D65 DA2C2E-J +@C56C42=@C4FDI@ 6CDBG46 8C@FA @GDDE@C H63DIB ' 62B 92GJ @C> @6=?F> 36C7C@ B6 52E -236=@ B6 3@E@ @ B6 F?:E

, , . <<8;2<

=6	! * ; = >6 + ;
QDE= @ 2' 206E2?5) @ @ 6D96?6C) & \$
&G4< Q 206E -62?:?8 * JDB>	

". 95, . 6 . 7 = ! * ; < ;

=6	! * ; = >6 + ;
FIE 28 ' 24< * 2?:D62= &5@ :89E?8 JA@ =6C6?:4	" &
FIE 28 ' 24< * 2?:D62^ JA@ =6C6?:4	" .
64D ' 24<	
#:89E F=	

<<86 . ; # . ; ? 2 . 8-57.

%# * 7* - *

@ + <2 @@@8; . , 4, 86

. 202?E

&) " \$ % + ,) % & \$ ' % 0 & G4< \$ 2?F724FC?8 @ A2?J 8:G6DJ @ B6 7@-@: ?8 => :B5 H2C2?E B 7@B: DACBF4E@-J :7:EH2D@8: ?2-J AFQ92D85 7@GD56?E2=FD6 ?@GD2=6 7@ @ & G4< @2? & G4< FB@K65) 6E2= 62=6C

& G4< H: =GA2C@DGA=246 7G6 @492C6 E@B6 @8: ?2=AFQ92D8C2?J A2@B92E: D7@?5 E@36 56764EG6 :? > 2B6C2=@H @> 2?D9:AH: B: ? 7C6 J62D@B6 52B @AFQ92D8 B? J62D@ 9@D?78 +9: D=> :B5 H2C2?E B 2AA=6DE@? @ 2=5@ 6DE4 FD6 ?J 4@ > 6Q: 2=FD6 @B: DACBF4EH: =G@5 B: D=> :B5 H2C2?E B +9: D=> :B5 H2C2?E B 4@GD B6 GCG@?8 @-6C3FD9 7@ @6 J62C7@GD56?E2=FD6 @-J

+9: D=> :B5 H2C2?E B 5@D? @4@6C96 GA=246> 6?E@ 6 A6?523=6 @4@D? 23=6 A2EDD?49 2D42C@ > @C 3FD96D 6586 3FD96D 5CG6 36=H 3FD96D 3F=3D 5: DA@23=6 328D2?5 @B6CA2EDD?3: 64EE@? @ 2=H62CF?6DD B6J 2G 56764EG6 :? > 2B6C2=@H @> 2?D9: A

+9: D=> :B5 H2C2?E B 5@D? @2AA=J E@2?J A2@EDF3: 64B5 E@244: 56?E 23FD6 4@ > 6Q: 2=FD6 2=6Q2E@ > : DFD6 52> 286 42FD85 3J 24E@ @ B6 FD6 @ G@286D @B6C92? :?5: 42B5 @ B6 D6C2=?F> 36C5: DA=2J65 @ B: D ACBF4E@D6G46 @B: DACBF4E3J @B6C92? & G4< @2 A2E4: A2E?8 24E@ FB@K65 * 6CG46 6?B6C& G4< 5@D? @2FB@K6 2?J A6C@ @GAG6B?BEG6 E@2D?F> 6 @8C2?E2?J @B6CH2C2?E B @=82E@ H: B B6 D2=6 @ B: DACBF4E

& G4< HD=> :B5 H2C2?E B :DG2=5 @-J :7J @ G6? ? ACC@ @ AFQ92D8 7@ @ & G4< @2? & G4< FB@K65) 6E2= 62=6C7@B: DACBF4E 7J @ AFQ92D8 B: DACBF4E7C@ 2?J @B6CD@G6 J@CAFQ92D8: Df * * gH9: 49 > 62?D& G4< 8C2?EJ @ ?@H2C2?E B 2?5 B2EJ @ ?@& G4< 2D?F> 6 B6 6?EG6 CD: @ B6 BF2=H 2?5 A6C@ 2?46 @B: DACBF4E :?4F5: ?8 B6 6?EG6 4@E@2?J ?646D2C D6G4: ?8 @GA2C@2?J 56764E

& G4< ID=23: =B 7@52> 286DE@J @ 7@2?J 4@DHD92E@G6C2CD?8 @E@ B: D@B6> 6?E@ => :B5 H2C2?E B D92= 36=> :B5 E@B6 2> @?EA2: 5 7@B: DACBF4E2B6 E> 6 @ @8: ?2=AFQ92D8 2?5 @ G4< D92=? @E36 =23=6 7@2?J 5: G4E :?5: G4E 4@D6BF6?E2=@: ?4: 56?E2=52> 286D2CD?8 @E@ B6 FD6 @: ?23: =B E@FD6 B: DACBF4E

* @ 6 DEBD5 @? @2=@ B6 6 4FD@ @=> :BE@ @ :?4: 56?E2=@4@D6BF6?E2=52> 286D D@B6 23@B => :BE@ @ 6 4FD@ > 2J ?@2AA=J E@J @

/ ') ** % \$ ' # .)) % + * &) + * ') & , + % # , % \$ ' # .)) % + * & \$) % + # + 0 % + % ** &) ') + , #) ' ,) & *) # \$ + % ,) + & % + & + .)) % + 0 ') & % % & .)) % + * . +) / ') ** &) \$ ' # . ## ' ' # 0 +) + * ') &

* @ 6 DEBD5 @? @2=@ => :BE@D@ B6 5FC2E@ @ :> A=65 H2C2?E6D D@B6 23@B => :BE@ > 2J ?@2AA=J E@J @

+9: DH2C2?E B 8: G6DJ @ DA64: 74 -682=C89E D?5 J @ > 2J 2=H@92G @B6C89E D H9: 49 G2C 7@ DEB E@DEB 72AA@C2B D6 255: E@2=: ?7@ 2E@ 7@ 6 B?565 H2C2?E B



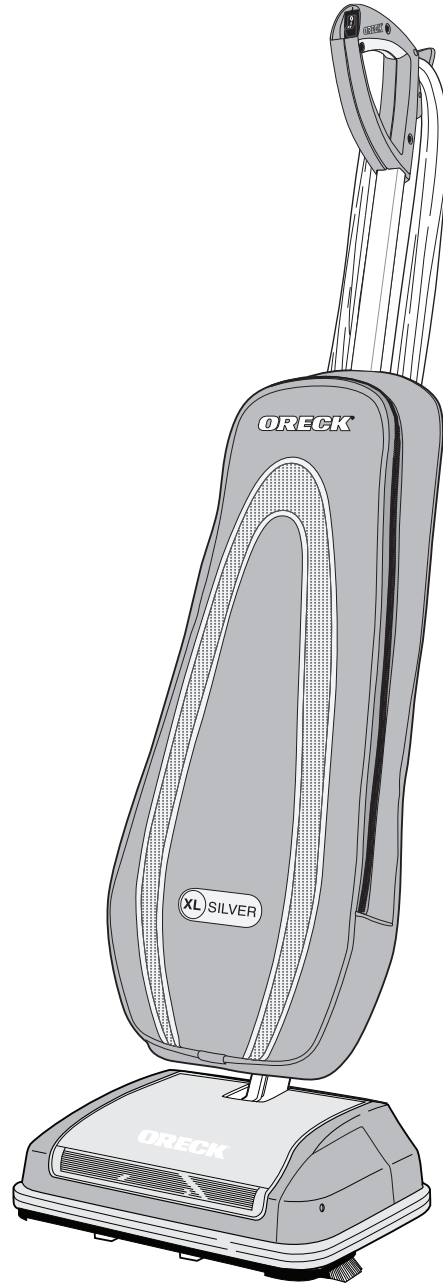
ORECK[®] XL[®]

DA: 025 @ 02 G6E42-56 2-2

G6-@:525

#.;2 (°#2.;

F:2 6=
, DF2C@



ORECK clean home[™]
HEALTHIER. EASIER. SMARTER.[™]

 **Microban[®]**
antimicrobial product protection

F6 98; ≠ 7=

#62 EC2D-2D.? DF44: @6D4F:525 @2> 67B J 8F256 A2C 2 6766?4:2 7FEC

\$:40B2? 6DF?2> 202.4@ 60:2-08: DE252.56\$:40B2? ' 0BF4E @ A2?J @A@E@ %09 20@?2

* 68FC525

-?.;=7,2< .7.;*5<

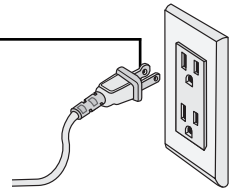
! INSTRUCCIONES IMPORTANTES DE SEGURIDAD

F2?5@FE=46 F? 2A2C2E@6-QHE4@D6> AG 5636 D8F: CAG42F4: @6D3MD42D: ?4FJ6?5@2DD8F:6?E6D
 LEA #ODA" LA" IN"#! \$CCIONE" AN#E" DE \$"A! E"#AA"PI!ADO!A
 AD%#! #ENCIA P'8' 8+*;)/8 +2 8/+9-5 *+/4)+4*/5, *(9)'8-' +2E):8/)' 5 2+9/54+9:
] %@56;6 6=2A2C2E@D? 2E?56C4F2?5@6DQ4@64E25 @ 6D4@QHE=056-2 E@ 2 564@C6?E6 4F2?5@?@6DQ6?
 FD@J 2?E6D56 52G6 D8G4: @
] %@2 F6 6? 6I EC@6D?: 6? DFA6C?4:6D> @252D
] %@@@6C2C-2 F?:525 > :6?E2D6DQ6? A@4:V? G6E42-J E23252
] %@A6G: EOCBF6-2 F?:525 7F4: @6 > :6?E2D6DQ6? 4F2-BF:6CA@4:V? 7.;2 A@4F2-BF:6CA6C@ @56 E6> A@
 \$:6?E2D6DQ6? 7F4: @2> :6?E@> 2?E?6C-2 F?:525 6? > @B> :6?E@
] %@A6G: E2 BF6 D6 F6 4@ @, F8F6E D?6462C@A@6C> F492 2E6?4:V? 4F2?5@2 F6? =@?:V@4F2?5@E6
 F6 46Q2 56 6=@
] , D=2 D@> 6?E6 4@ @E 56DQ36 6? 6D6 > 2?F2=, E=46 D@> 6?E6=@25: E2 6?E@D64@ 6?525 @A@6=73C42?E6
] %@2 F6 4@ 6=4@5V? @42G; 2 52V25@* : -2 2DA C25 @2 ?@F?4: @2 4@ @5636C2 D D6 92 42E @52V25 @
 56:25 @6? 6I EC@6D @56:25 @426C6? 28F2 6?G6-2 2 F? 46?E@56 D8G4: @ @2= 6 2 D8G4: @2 4=6?E6D2=
 \$" : 1-800-989-3535 C'4' *': 1-888-676-7325
] %@E6 56 6=2 ? : -2 > F6C2 A@6=4@5V? ? : F6 6=4@5V? 4@ @2D ?@4:6C@2 AF6E2 D@6 6=4@5V? ? : ;26
 6=4@5V? 2-6565 @56 3@56D @6EF: ?2D27-252D \$ 2?E?82 6=4@5V? -6 @56 -2DFA6C?4:6D42=6?E6D
] %@@@6G 6=2A2C2E@D@G 6=4@5V?
] %@-@56D4@64E6 ;2-2?5@6=4@5V? ' 2C2 56D4@64E2G@E@ 6 -2 42G;2 ?@6=4@5V?
] %@> 2?:AF-6 -2 42G;2 ? : 6=2A2C2E@4 @2D> 2?@> @252D
] %@A@82 @;6E@A6D5 @6? -2D236EFC2D %@-@F6 4@ 2-8F?2 236EFC2 3-@F6252 > 2?E?82=@3G 56 A@G@
 A6FD2 4236=@J 4F2-BF:6CA@2 BF6 AF652 G5F4: C6=7F; @56 2 G
] \$ 2?E?82 6=4236=@ @A2 DF6-E 565 @J E@2D-2DA2@6D56=4F6A@6; @56 -2D236EFC2DJ A2@6D> V@6D
] %@2 F6 A2C2 BF6 2DA G 4F2-BF:6CA@2 BF6 D6 6D6BF6> 2?5 @2C@2?5 @9F> @4@ @4:82C=@ @46C=@ @
 46?:K2D42=6?E6D
] %@2 F6 D? 6=6?D> 3-2,6 56 -2 3@E2 56 7-E@6? DF =F82C
] A28F6 E@ @-@4@E@6D2?E6D56 56D4@64E2G2
] +6?82 4F:525 @6D4:2=4F2?5 @=> A6 2-8F?2 6D42-6C2
] %@2 F6 A2C2 2DA C2C=BF:5 @:??> 23-6D @4@ 3FE3-6D 4@ @82D@?2 @=BF:5 @A2C 6?46?565 @6D ? : -2
 F6 6? M62D5 @56 AF652? 6D2CA6D6?E6D
] %@F6 6=2A2C2E@6? 6DA2: @46C25 @5 @56 AF652? 6> 2?2@6 G2A@6D:??> 23-6D 6I A=@G@ @5V:4@DA@
 A?FE2 2 32E 56 246: E6 256-82K25 @56 A?FE2 2-8F?2D DFE2?4:2D2 AF632 56 > @ @ @6? F? M62 5 @56 92J2
 A6D6?E6 A@G@??> 23-6
] %@2DA:G 4@ 6D6 2A2C2E@ 2E6C2=EV: 4@4@ @3-2?BF625 @4@ 4=@@=> A:25 @56 5G?2,6D 82D@?2 6E

GUARDE ESTAS INSTRUCCIONES

Sólo para uso casero

, ? 6749F76 A@2CK25 @E6?6 F?2 6DA:82 56 4@6I :V? G6 @56252 J @E2
 G4E2 =6I E6> @G5 @5625 @G2 6? -2 C?FQ2 > MD-282 56-E@ 24@C6?E6
 ' 2C2 G5F4: C6=C6L8 @56 49 @F6 6-QHE4@6D6 6BF: A@E6?6 F? 6749F76 A@2CK25 @
 F?2 -4 :?2 6D> MD2?492 BF6 -2 @E2 D6 6749F76 A@6D/4@ @2D6 56 F?2 D@> 2?6C2
 6? F? E@ 24@C6?E6 A@2CK25 @* : 6=6749F76 ?@D6 24@ @2 E@> 6?E6 6? 6=E@ 24@C6?E6
 :?G6E2 6=6749F76 * : 2F? 2D? ?@D6 24@ @2 4@ F? BF6D6 4@ A6C@2=42=7.425 @A2C
 BF6 :?E2 6 6=E@ 24@C6?E6 2564F25 @%@2-6G 6=6749F76 56 ??:8Y? > @ @



C2:2DA@4@ AC2C?F6E2 2DA C25 @2 G6E42=8 G4< D636/ #^ , *:-G6C#2, 4F6?E2 4@ F?2 82C2?E2
 56 2V@J AF6D2 2 AF?E@8C2ED #2 7-E24:V? 6=@ 2E2A2 > MD56= 56 E@2D-2DA2E4F-2D :?4F:5 @6=
 A@6? 6DA@2D56 > @ @J 42DA2 56 > 2DA@2D 0 563:5 @2 BF6 6DF?2 & G4< AF656 G@E2FC2C-2 -2?:-2 56 DF 2-7@ 3C2
 56D56 -2 AC- 6C2 GKBF6 -2 F6



' 2C2 923-2C4@ F? G@G6E?E?E6 & G4< => 6 2
 * 2?252



? -2. 63 2AF?E6 J 9282 4=4 6? @@@8;., 4, 86



- :D6? @A6C@2=> 6?E6 6? F? @56 =@ DE@6? E6?52D' 2C2 6?4@E2C-2 E6?52 > MD46Q2?2 A@
 72C@=> 6 2-E-Q?@ @ 8;., 4<8; @GD6 @@@8;., 4<8;., 86

-) + % =AC@F4E@4@E6?6 DFE2?4:2DBF6 :42D4@ @:52DA@6= D25 @56 2=7@?2 4@ @
 42FD2?E6D56 4M?46CJ 56764E@56 ?24:> :6?E@ F @E@52V@6? 6=D6E> 2 G@C@F4E@

:D6E6
 #=> 6
 282 4=4
 - :D6



#. 0>2*-
 5G6E?4:2D86?6C2-6D
 9.;*, 2V
 #: 1E 56 A 6K2D
 ?D> 3-2,6 56=H3@> 2?8@
 &A6C24:V?

) 64@ 6?524: @6D56 > 2?6, @

 7/8;6*, 2V . 7.;*5

 @?2DA2C A@G@56D?4923-6D6=> :?25 @2D56 @@6D

 \$:4C@2?

 *: 1E> 2 56 7.-E24:V? 6-@

 #2 4@62

 #F3C424:V?

 *2= 7*7, .

 ' 2C 66> A-2K2C=2 3@?2DA2C A@G@56D?4923-6D6=> :?25 @2D56 @@6D

 V? @66> A-2K2CF?2 4@62 56D?2E52

 ' 2C 2;FUEC@66> A-2K2C6=46A=@

) 66> A-2K@56=46A=2 @=25 @

) 66> A-2K@56 =2 3@ 3:=

) 6-6? @@3=@F6@

 8,*5C, 2V -. /*5<

 ! 2C<

 446D@@J A 6K2D56 6AF6DE@

 *;*7K

 >2. Q-22* =87 ;*7G 2<



&A6C24:V?

' 2C 2JF52G6 6?

 =2 :56?E7.424:V? 56 =@

 4@ A@6?E6D56 DF

 2DA:C25@2 =2DA:6K2D

 1E 92? ?F> 6C25@

 4@ @D8F6<

2= - . 92 C<

 *708

 7=; ;>9-8; - . 7, . 7-28 *9*0*-8

 +;*C-. ;* 9* ;* . 5, *+5

 \$>+8 - . 56 *708

 #>3=-8; - . ; ; 6 *5;*

 !*;*089. <

 . 928 8;25-8;

 !> ; = - . 5 , 8 ; ; *

 #B<4 6 . -> ; 8 ; -87 H5 , =2>.

 7<* 6 +53 - . 5 , 87. A2V

 85 ; ; <

 \$>+8 2/ . ; 2;

 * <2 8 ; - . 5? . 7-5-8;

 " . <8 ; = - . 5 +85*

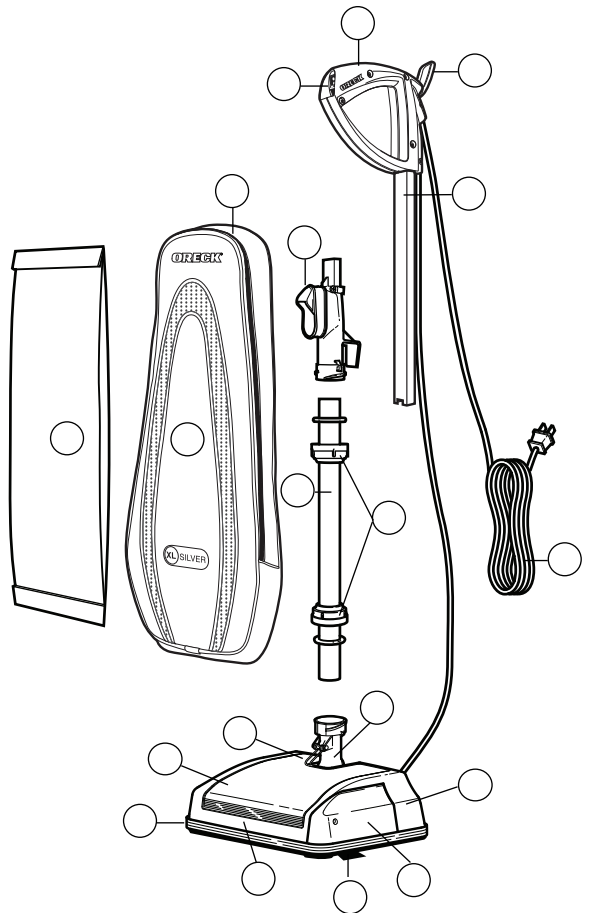
 85* . A=; 2;

 *+ . C 6 8 =2

 85* 9* ; * 9858 , 87 /2; 8

 ! *7.5

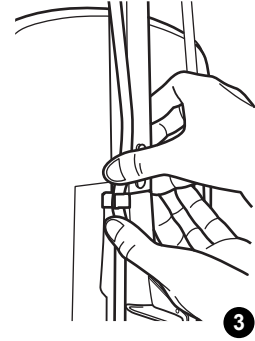
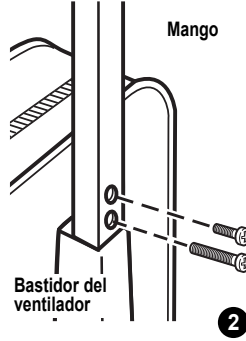
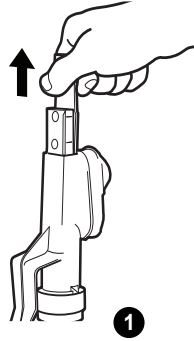
 >+2 ; =



&A624:V

7<6+53-.5->+86*708

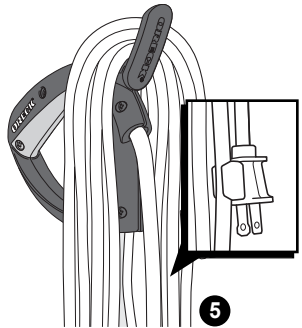
- 1 ?ED56 2G 2C2 > NBF:?? GEG =D5 DEQ: =D56-4@;F?E@4@64EQ) 6EG 6=:?DCE@E@M5 @@924:2 2CC32
- 2 ?ED56 6?D> 3-2C2 > NBF:?? (F:EB =D5 DEQ: =D56-4@;F?E@4@64EQ) 6D:46 =D44:V? 56-> 278@
DFA@D@G =D44:V? 4@D@5:6?B6? 6-4@;F?E@4@64EQ ?DCE =DEQ: =D6? =D28F:6@D 2AC@B =D
7G 6- 6?B 92D2 BF6 6-> 278@BF656:?:> VB=-
- 3 ;:6-4@5V? 6? =2 8Q2A @C: :Q5 @@674:> 2 J 5632; @56 =2 8Q2A A2C 2D8FC2@ BF6 BF656 4@ A6E> 6?B
> 6E5@6? 6=2



9. ; * , 2V

D8YGD 56 BF6 =2 3@D2 A2C A@G@56D4923-6 6=> :?25 @2 56 @D6DUE4@ @252 %& @6G =2 2DA C25 @2 D?
F?2 3@D2 A2C A@G@ ?49F7 6-4@5V? 56 2=> 6?E24:V? 6-QIE42 6? F? E@ 24@C6?B J A2C 4@ 6?K2C2 @62C
244 @6 6=:?BCEAE@&% & & BF6 6D@V? 6-6?D> 3-2 6 56-> 278@

- 4 \$; * + - . 98-2 2V *;; 2* A@6 6=A 6 6? 6-4236?=> @C@25 @6 :?4=?6 6-> 278@ DF2G> 6?B 924:2 2E@D
A2C D@2C2 =E232 J F2C =2 2DA C25 @2 - F6 =2 2 4@ @2C6=> 278 @6? A@4:V? G6E42=A2C 6?82?492C =2 E232
%@2 %@A6G :ECBF6 =2 F?:525 7?4: @6 > :6?E2D6UE6? 4F2-BF:6CA@4:V? 7; 2 A@4F2-BF:6CA6@ @56 E@- A@
\$: 6?E2D6UE6? 7?4: @2 :6?E@> 2?B?6C =2 F?:525 6? > @> :6?E@
- 5 ! * ; * 0 > * ; - * ; / E 26 . 7 = . 5 ; 8 ; - N . 5 J = 2 8 ? @ 6 6 - 4 @ 5 V ? 6 - Q I E 4 @ 2 - 6 5 5 @ 5 6 - 2 3 C 2 2 5 6 2 A 2 C 6 -
423-6 J > 278@



7<=>, 27. <- . 89. ; * , 2V

D2 ?F6G 2DA C25 @2 G6E42 =&) " / # 56 2-E G =@ 525 6DF?2 56 =D> 6 @6D > MD@A:52D 7F6EDF?:5256D6?
DF 4-2@ #6 6?42?E@M2 > 2?6C 4@ @=> A:2 4V@ @4236 A@5632 @56 =2D4@2D J BF6 6D+ % =86C J 7M: =56 F2C
2DD8F:6?BDD@ D4@2-8F?2D DF86G?4:2DD?4: =2D G =24: @252D4@ DF @624:V?
F25 @?DCE?F?2 ?F6G 3@D2 56D4923-6 A2C A@G@4@ 7-E@56 A2A6 =') \$) & % # # J) # & # *
F25 @2 3@D2 A2C A@G@4@ 7-E@56 D4923-6 6E@ =6?2 \$ #
*: 6? 4F2-BF:6C @ 6?E@> NBF:?? @23D@36 2564F25> 6?B @246 F? CF:5@?FDF2= ! &') # J
5G6 D@G4: @
F?BF6 DF 2DA C25 @2 G6E42 =23D@36 2-7-6GD DF:625 @6D56 A2A6 =J @E@ @; 6E@A6BF6V @D @G4@ :6?52 BF6 =@
GEG 56 =DF6 =@?B56 2DA C2C ? 42D56 ? @246G@6 =6?E=25 @56 DF44:V? 56-> @C@ 6 =32B5 @AF656? BF656C
4@ 52V @A6G 2?6?ED
AD% E ! # ENCIA % @FB DF 2DA C25 @2 6? DFA6C 4:6D9Y> 652D @ @252 D@ACC@ @2D@52V @6? =2 2DA C25 @2 J
6DA =8@ @A2C 6 =FDF2C @ # @52V @A@ @25 @A @6 =FD@6? DFA6C 4:6D9Y> 652D @ @252D? @6D@V? 4F3:6E@A@
=2 82C?E2
' 2C @B?6CF? 56D@ A6V @ME> @G@ A=246 =2 4@62 4252 > 6DD
) 6GD =2 3@D2 A2C A@G@7: =2?B 56D4923-6 2=> 6? DF?2 GK A@> 6D
NO @6G =2 2DA C25 @2 A@6?4> 2 56 =4@5V? =46A =@CG@6?B AF656 52V 2C6 =4@5V?
+?82 4F:525 @=> A2C @3 @6D J =2 7C?:2 6 46D @56 =2 > 2?E 4@ =2 2DA C25 @2 56 =V62

?7@ 24:VW
6?6Q=

=56D> A6V@56 DF ?F6G 2DA C25 @2 56A6?56 6? 8C? A206 56=4F:525@J 6=> 2?B?> :?6?E@#2D: ?DF4
4: @6D56 6D6 > 2?F2=6 8F:20M? A2C 62=K2C6=4F:525@J > 2?B?> :?6?E@#M4@ 2C @B?6C> F49 @
2V@56 D6G4: @2E?74E@ @-62 -D: ?DF44: @6DJ > 2?E?82=2D2 => 2?@A2C 7FFC 676G?4:2

85* < 9* ; * 98578 - . < , 1* +5 < . 56 27* - 8 ; * < - . 85 ; . <
#2D3 @2DA2C A @56D4923=6D6=> :?25 @2D56 @6D,F682? F? A2A6=> FJ :> A@2?B6 6? > 6746?4:256 DF
2DA C25 @2 &) " =@; 6EG@56 => 3 @2 A2C A @56D2E2A2C=> DF4:6525 A6@=> :D @B> A@5636 D6C
DF74:6?B> 6?B A @2 A2C 56:2CA2D2C6=2 6 2 E2GD * : => 2 3 @2 A2C A @56D1M @DF:52 ? @AF656 A2D2C 6 2
E2GD56 => 2DA C25 @2 J 6?E@46D? @AF656 B?6C:F82C=> => A6K 62 4F2=62 => A@5?4:256 => NBF: ?2
' 2C > 2?B?6CF 2DA C25 @2 F?4 @2?5 @4 @ => M: > 2674:6?4:2 4> :3:6 4@ 764F6?4:2 => 2 3 @2 A2C A @56
NO LLENE MP" ALLP DE LA LRNEA INDICADA EN LA BOL" A PA ! A POL%O.

D8Y6D 56 BF6 => 2 3 @2 A2C A @56D1E: ?D2=252 4 @564E=> 6?B % @ ? @E@2D=2D3 @2DA2C A @56
D@ => :D @ * FD3 @2DA2C A @56D1E) " 92? D5 @5: D6V252DA2C FE=K2C6 4 @ => 2DA C25 @2
&) " * : D6 FE=K2? 3 @2DA2C A @56BF6 ? @D6? &) " -68 E> 2D=> 42A24:525 56 => A6K 2 56 DF
2DA C25 @2 D6 G6M?764E252 J => NBF: ?2 A @C2 52V2D6

2:8+*7°

F2?B => 723C42:VW 56 6D2 2DA C25 @2 G6E42= & G4< 2868V6=\$:40@2? 2 =@AC?4:A26DAF?E@56
4@E24E@56 => F7:525 > 2?8@2?4=256@56 => 2 3 @2 A242 56 32D6 J 4F3:6E2 DFA6C@ 4@ 6=7: ? 56
: ?9:3:6=4@64> :6?E@56 324E6C2D256?E@J D@6G => 2DA C25 @2 F2?5 @=> :40@: @ E2=6D4@ @=> 2D
324E6C2DJ 6=> @ @9246? 4@E24E@4@ => DFA6C:4:6 56=AC@BF4E@6=\$:40@2? A6?6E2 => A265 56 =>
4QF=2 6 :?B@F> A6 DFD7?4: @6D4=2G6D 56 > @ @BF6 @E@? @AF656? 4@646C?: GAC@F4: @6 * F 2DA
C25 @2 & G4< A6G 2?6460V> ND=> A:2 5F2?B > NDE6> A@

#2= 6 * - . /5* - 8 . 5, ° 1298*5; 0H728

#2 3 @2 6I B6C@ #& 56 DF 2DA C25 @2 6D56 F? > 2B6C=> G5:4@56 2=2 7=E24:VW 5: D6V25 @A2C 7=E2C
=> NDA6BF6V2 A2EAF=> 56 A @56 D: > A@2?B6 BF6 D => A6 6= ?B6C@56 => 2 3 @2 6I B6C@ DA 6 6=
: ?B6C@56 => 2 3 @2 6I B6C@ @2G 2 > 2? @4 @ 28F2 42=6?B G@E252 2=6GD J D6BF6 2=2 6 , ?2 G6K2=
> 6D5636 G6> A2K2C6 => 2 3 @2 56 A @56 ?B6C@56 D4923=6 56 42A2D #& :?4FD@ ? @6D1M=6?2 * :
D6 FE=K2 6? M62D6I E6> 252= 6?B DF4:2D4M 3:6=> 4@ > ND764F6?4:2 ?4@> 6?B => A@5?4:256
=> A6K 2 56 DF 2DA C25 @2 4> 3:2?5 @2 3 @2 4 @ 764F6?4:2

* 8 ; ; *

#2 4 @2 56 DF 2DA C25 @2 4 @E@ => G6=525 56=46A=@G@G?B6 J 6D> FJ :> A@2?B6 A2C => @624:VW 67:
4K56 => 2DA C25 @2 * : => 4 @2 D 4 @2 @6 6E2 A @56D1M BF6 6=46A=@G@G?B6 D6 56B?82 4@ A62
> 6?B @BF6 D6 9282 > ND=6?E@- 62 -D: ?DF44: @6D6? 6=> 2?F2=A2C => 4 @2 G@G@?B6

? => A242 32D6 56 DF 2DA C25 @2 D6 2=> 246?2 F?2 4 @2 6I E2 F2?5 @4 @ AG => D4 @2D56 G6AF6E@
F6* & # \$ % + 4 @2D86?F: ?2D56 &) " & E2D4 @2D6BF6 ? @D6? 56 &) " ? @620M? 6=
46A=@G@G?B6 56 > 2?6C 4 @24E2 J AF656? A @56D2C6? D1V :?563:52 => 4F2=AC@56D2V2 @2=
> @2J 2 =@4 @?66D56=46A=@* : FE=K2 @E2D4 @2D6BF6 ? @D6? 56 &) " D6 2?F=20M=2 82C?E2

>+;2* , 2V

@4 @?66D56=> @56 => 2DA C25 @2 D6 =F3C42? J D6=2? 6? => 7M642 % @6 G6F:66 =F3C42:VW 25:4 @2=

! " % ! 28<- . 6 * - . ; * < 9 ; / 2 2 < < * ? . < - . 6 * - . ; * ? 2 2 8 + * 5 8 < < - .

* < / * 58 . = B928<. 7 ; * - 8<

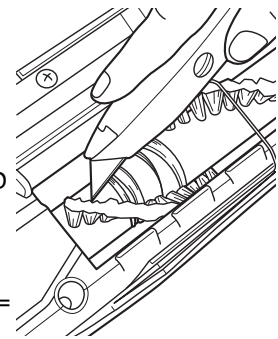
E=K2C @ G@D56 => A6K 2 A2C A D@J B6 :?24: @6D56 A D@G4 @ 6?52
5 @A @6=723C42?B =46A=@56=C@=> @2 3:Q AF656 > 2?492C=2D6G :?2
4 @6D> FJ DF2G6D % @6C2C=> F7:525 > :6?E2DF6 D6 6?4F6?B6 6? A@4:VW
G6E42=@E2?4252 % @6G : E6BF6 => F7:525 7?4 @6 > :6?E2DF6 6D66?
4F2BF:6CA@4:VW 6D24: @2C2 A @4F2BF:6CA=2K@56 E6> A @ \$ 2?B?6C=2
F7:525 6? > @> :6?E@ :6?E2DF6 6D6F?4: @2?5 @

% @ ' @=> 6? @F?2 G6K2=> 6D G6D6 J G6E 6=6I 46D@56 A6-FD2 9:=@
@4236=@56=46A=@G@G?B6 #2D2?F2C2D56 => A6K 2 A2B?E252D6? 6=
C@:=@56 46A=@724: =E? => => A6K 2

:> A6 6=6I B6C@56 => 2DA C25 @2 4 @ F2 B=2 9Y> 652 +2> 3:Q => A6 6=
M62 56 6?D2> 3=2:6 56=56764E@56 => 4 @6I :VW => 32D6 56 => 2DA C25 @2 J 6=
M62 56=32E5 @56=G6?E=25 @* : 9F3:6C A @56D6? => 2 3 @2 6I B6C@ 2DAT6
=@D24Y52=@

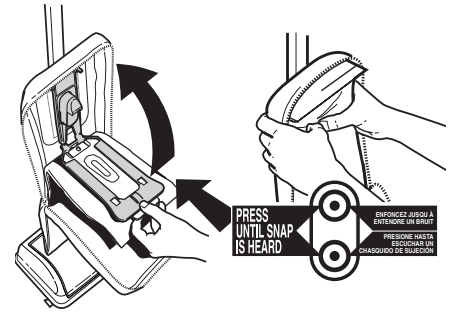
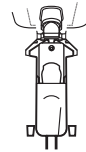
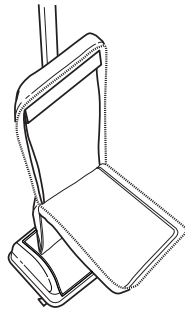
, ? A @56 > 2?B?> :?6?E@G6?EG@> 2?B?50M DF 2DA C25 @2 4 @ @?F6C J 2D6F20M=6 67:424:2 4 @
E?F2 56 => A6K 2

\$:40@2? 6DF?2 > 232 4@ 63:2=68: E252 56 \$:40@2? ' C@F4E @ A2?J @A@E@ % @5 20@?2

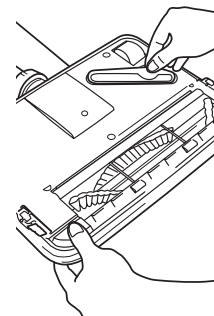


\$ 2?B?:
> :6?E@

! *,* ;..6 95 C; 5 +85* <9*;* 9858 -. < , 1*+5 <. 56 27* -8,* <- . 85; . <



N6 8 ;..6 95 C; >7* , 8 ;.. * -. <0* <- *



! *,* * 3 <= *; 8 ;..6 95 C; . 5 . 9 2 5



AD% E ! # EN CIA : D + 9) 5 4 +) : + 2) 5 8 * I 4 * + 2 ' : 5 3 ' + E) : 8 /) ' 4 : + 9 * + * ' 8 9 + 8 < /) / 5 .
 ' 2 2 5 6 B G : ? 2 C D 6 - 4 6 A = @ 6 D M 5 6 B 2 D E 5 @ 4 @ @ F 6 F ? 3 @ 5 6 6 4 E @ 7 G 6 2 E 2 C D 5 6 - 2 2 3 6 F 2 5 6 - 2 3 @ F : - 2 * :
 - 2 D 4 6 5 2 D 5 6 - 4 6 A = @ ? @ D 6 I E 6 ? 5 6 ? > N D 2 - M 5 6 - 2 A - 2 4 2 3 2 D 6 5 6 3 6 5 6 2 F D 2 C 6 - 4 6 A = @
 (F : B - 2 A - 2 4 2 3 2 D 6 6 E C 2 ? 5 @ E @ ? = @ # F 6 8 @ B F : B - 2 4 @ @ 2 J 6 - C @ = @ 5 6 - 4 6 A = @ 5 6 - 3 2 D E 5 @
 : 6 2 > 3 @ 6 ? D > 3 - 2 6 D 5 6 4 @ ? 6 E D 6 ? = @ G I B > @ 5 6 - C @ = @ 5 6 - 4 6 A = @ 2 D E 2 B F 6 2 A 2 C K 4 2 & # J G 6 > A - M 6 - @
 6 ? = @ 4 2 ? 2 6 D 5 6 6 ? D > 3 - 2 6 5 6 - 3 2 D E 5 @
 % & + = 2 F D 6 5 6 - 4 @ ; F ? E @ 5 6 4 @ ? 6 E D > 2 0 2 5 @ & # ? @ E 6 ? 6 ? 6 C 2 5 F 2 D 6 ? - 2 A 2 B D F A 6 C @ 5 6 - 4 @ ; F ? E @
 => 2 0 2 5 @ % . E 6 ? 6 G 2 C 2 D ? 6 C 2 5 F 2 D F 2 ? 5 @ D 5 6 ? G F 6 - 2 = @ 4 @ ? 6 E D 2 D 8 F 2 C 6 B F 6 = @ 5 @ 2 F D 6 D 5 6 -
 4 @ ; F ? E @ 5 6 4 @ ? 6 E D 6 ? : 8 F 2 6 D J 6 I E ? 9 2 4 : 2 2 C 3 2 2 - G A @ 6 C 6 - C @ = @ 5 6 4 6 A = @
 \$ @ B ? F 6 G > 6 ? B - 2 4 @ @ 2
 \$ @ B ? F 6 G > 6 ? B - 2 A - 2 4 2 3 2 D 6

