

HOOVER[®]

Stick Cleaner

Owner's Manual

English → pp. 1-7

Español → pàg. 8-11

Français → p. 12-15

Thank you for selecting a HOOVER product.

This cleaner inspected and packaged carefully before being shipped from the factory. If you should happen to need assistance during assembly or operation call

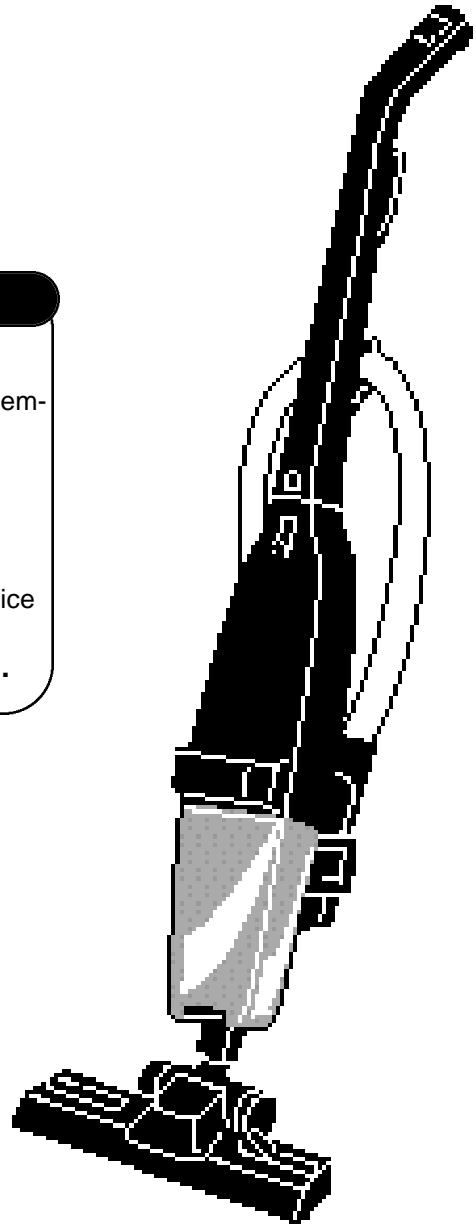
1-800-944-9200 for an automated referral of authorized service outlet locations (U.S. only) or

1-330-499-9499 to speak with a representative in our Consumer Response Center or

Visit us online at www.hoovercompany.com to find the service outlet nearest you (click on the "Service" button).

PLEASE DO NOT RETURN THIS PRODUCT TO THE STORE.

Review this manual before
operating cleaner.



Fill in and retain

The model and serial number are located in the middle of the back of the cleaner body.

For your personal records, please enter the COMPLETE model and serial number in the spaces provided and retain this information.

Your cleaner is model _____

and has serial number _____

It is suggested that you attach your sales receipt to this owner's manual. Verification of date of purchase may be required for warranty service of your Hoover product.

Index

Assembling Cleaner.....	3-4
Cleaner Descriptions.....	3
Cleaning Effectiveness Per Amp Rating	7
HowTo Use.....	4-5
Carrying handle.....	5
Hose and Tool.....	5
ON-OFF/Speed Selector Switch.....	4
Rug and Floor Nozzle	4
Storage.....	5
If You Have a Problem.....	7
Service.....	7
Important Safeguards.....	2
Maintenance	5-6
Dirt Cup.....	5-6
Lubrication.....	6
Rug and Floor Nozzle.....	6
Secondary Filter.....	6
Warranty.....	7

© The Hoover Company
www.hoovercompany.com



Important Safeguards!

When using an electrical appliance, always follow basic precautions, including the following:

READ ALL INSTRUCTIONS BEFORE USING THIS APPLIANCE

Warning: To reduce the risk of fire, electric shock, or injury:

- Do not use outdoors or on wet surfaces.
- Close supervision is necessary when any appliance is used by or near children.
- Do not allow vacuum cleaner to be used as a toy or to run unattended at any time.
- Keep hair, loose clothing, fingers, feet and all parts of body away from openings and all moving parts.
- Do not pick up anything that is burning or smoking, such as cigarettes, matches, or hot ashes.
- Do not use to pick up flammable or combustible liquids such as gasoline or use in areas where they may be present.
- Avoid picking up hard, sharp objects with the cleaner. They may damage the cleaner and the filter.
- Do not use without dirt cup or filters in place. When picking up very fine materials such as powder, depress bag cap, shake filter bag and empty dirt cup often.
- Use extra care when cleaning on stairs.
- Do not put any object into openings. Do not use with any opening blocked; keep free of dust, lint, hair, or anything that may reduce air flow.
- Do not pull or carry by cord, use cord as a handle, close door on cord or pull cord around sharp edges or corners. Do not run appliance over cord. Keep cord away from heated surfaces.
- Always disconnect cord from electrical outlet before servicing the cleaner.
- Unplug cleaner when not in use. Turn off all controls before unplugging.
- Do not unplug by pulling on cord. To unplug, grasp the plug, not the cord. Never handle plug or appliance with wet hands.
- The use of an extension cord is not recommended.
- Do not use with damaged cord or plug. If appliance is not working as it should, has been dropped, damaged, left outdoors, or dropped into water, take it to a Hoover Factory Service Center or Authorized Hoover Warranty Service Dealer (Depot).
- Use vacuum cleaner only for its intended use as described in the instructions. Use only attachments recommended by The Hoover Company; others may cause hazards.

Save these instructions!

1. Assembling cleaner

Questions or Concerns?

The Hoover Company wants to quickly resolve any concerns about your cleaner or questions regarding its use. Look on the list provided with the product for your local **Hoover Factory Service Center** or in the Yellow Pages under "Vacuum Cleaners - Household" for the nearest **Authorized Hoover Warranty Service Dealer** (Depot) or call:

1-800-944-9200 for an automated referral of authorized service outlet locations (U.S. only)

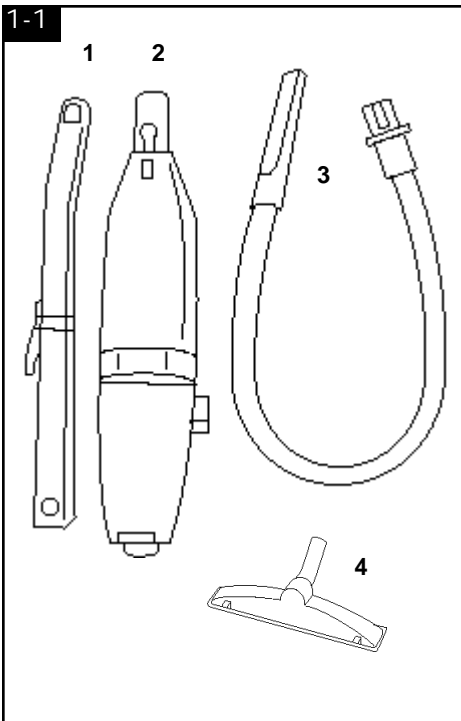
OR

1-330-499-9499 to speak with a representative in the Hoover Consumer Response Center

OR

Visit us online at **www.hoovercompany.com** to find the service outlet nearest you (click on the "Service" button)

Carton contents



Unpack cleaner from carton, remove all cardboard and identify parts shown.

1. Handle Section
2. Cleaner Body
3. Hose with tool (some models)
4. Nozzle

Cleaner description

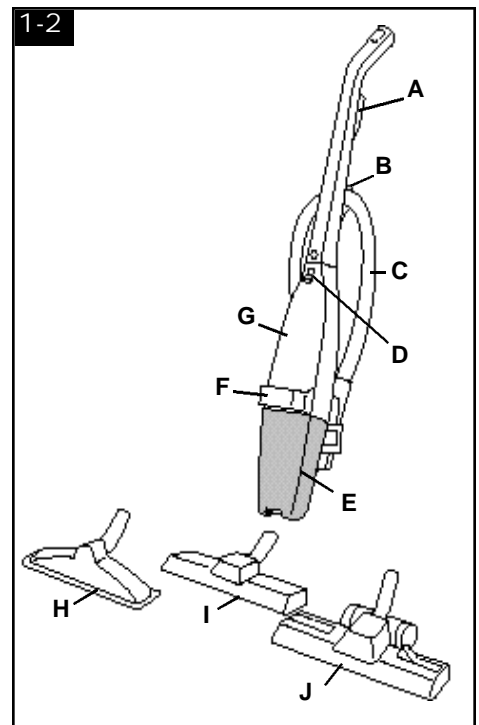
The assembled cleaner will look like the drawing.

- A. Cord hook
- B. Hose hook (some models)
- C. Hose (some models)
- D. ON-OFF/Speed selector switch
- E. Dirt cup
- F. Carrying handle
- G. Cleaner body

Depending on the model you purchased, ONE of the above Rug/Floor Nozzles is included with your cleaner.

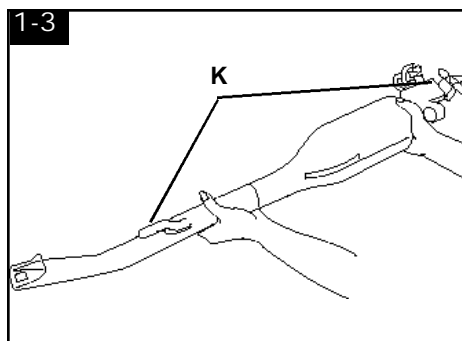
- H. Standard nozzle
- I. Deluxe nozzle
- J. Deluxe wheeled nozzle

This cleaner is intended for household use.

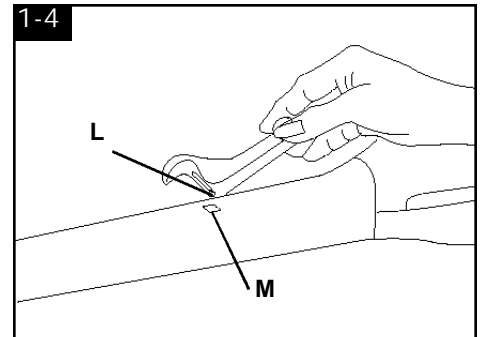


Attach handle

Remove the tape securing the hose hook and screw to the handle. A Phillips screwdriver is needed for assembly.

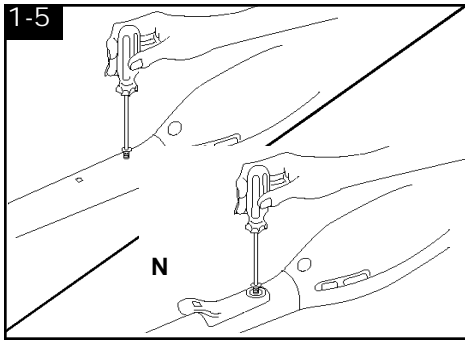


With cord hooks (K) upward, slide handle onto cleaner body.

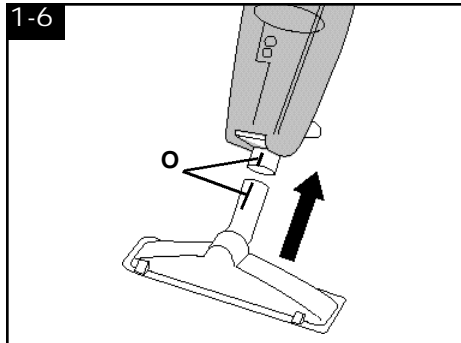


For attached hose models, place hose hook on handle by first inserting tab (L) into slot (M).

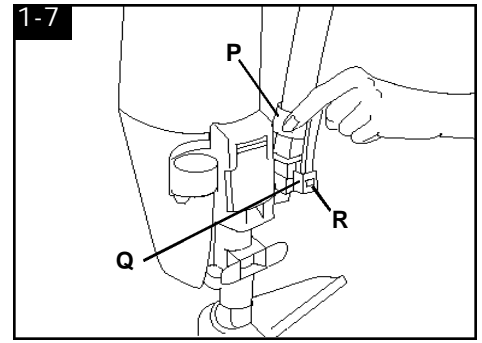
Continued →



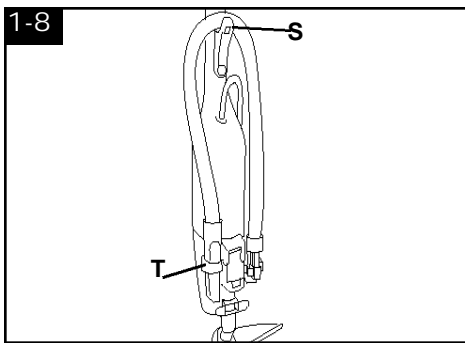
1-5
Insert screw and secure handle to cleaner body.
(N = Hose models)



1-6
Attach nozzle
Line up raised rib (O) on front of nozzle with raised rib just above opening on cleaner. Push nozzle securely into cleaner.



1-7
Attach hose and tool (some models)
Facing the back of the cleaner, position hose connector (P) into holder (Q) on right side of cleaner body making sure latch (R) is inside holder.



1-8
Loop hose over hose hook (S) and position tool into holder (T) on other side of cleaner body.

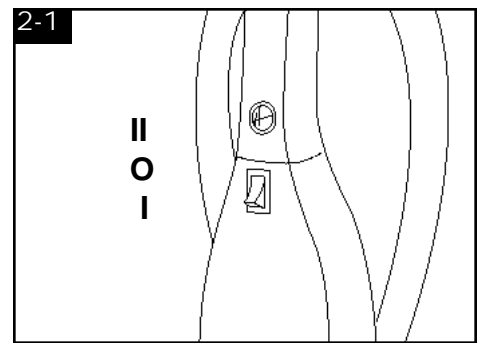
2. How to use

Operate cleaner only at voltage specified on data plate located on back of cleaner motor housing.

Polarized plug

To reduce the risk of electric shock, this product has a polarized plug (one blade is wider than the other). This plug will fit in a polarized outlet only one way. If the plug does not fit in the outlet, reverse the plug. If it still does not fit, contact a qualified electrician to install the proper outlet. Do not change the plug in any way.

Plug cord into electrical outlet. Your cleaner is now ready to operate.



ON-OFF/Speed selector switch

Your cleaner has a one or two speed motor.

Use the **one speed** model for cleaning any type of rug or bare floor; **ON = I**, **OFF = 0**

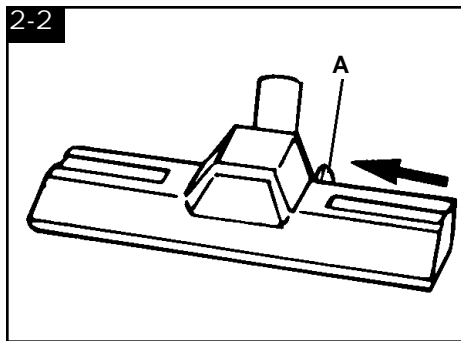
Use the **two speed** model on **HIGH (II)** for cleaning rugs and carpet, or press the switch to **LOW (I)** for bare floors; **OFF = 0**

Rug and floor nozzle

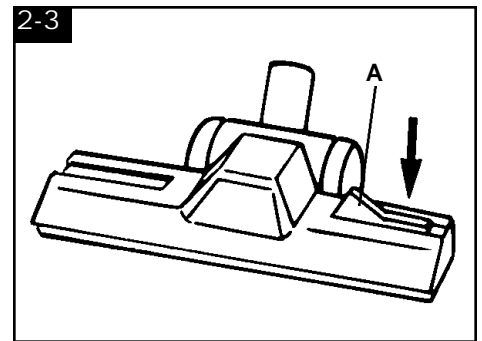
The combination rug and floor nozzle has been designed to do an efficient cleaning job on both carpet and hard surface floors.

Some models come with the standard nozzle. Others come with the deluxe nozzle or with the deluxe wheeled nozzle.

All nozzles have constant edge cleaning for cleaning along baseboards or solid furniture. Both deluxe nozzles have a BARE FLOOR setting and a RUG setting. To change from one setting to the other, refer to the directions below for your deluxe nozzle.



2-2
Deluxe nozzle
Lock brushes to clean bare floors by sliding selector (A) toward BARE FLOOR. Release brushes to clean rugs or carpet by sliding selector toward RUG.



2-3
Deluxe wheeled nozzle
Lock brushes to clean bare floors by depressing selector (A) to BARE FLOOR. Release brushes to clean rugs or carpet by depressing selector to RUG.

Cleaning under low furniture

Your cleaner has been designed to do an effective job cleaning under low furniture and in hard to reach areas. Lower handle to floor level and proceed with back and forth motion.

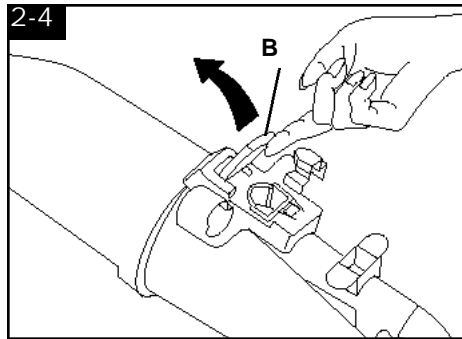
Hose and tool

(some models)

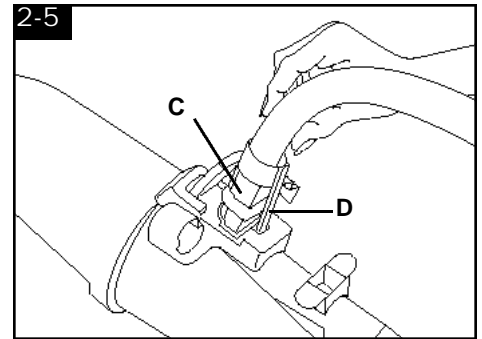
Turn cleaner OFF before attaching or removing hose.

The hose and tool may be used for cleaning in tight spaces, corners and along edges in such places as dresser drawers, upholstered furniture, stairs and baseboards.

Lay cleaner on floor with backside up. Remove hose connector and tool from holder.



Lift hose door (B) upward.

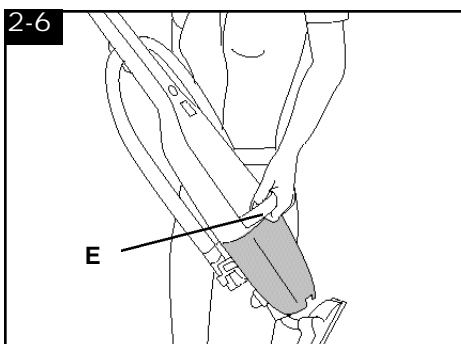


Insert hose connector (C) until it snaps into position. Suction will automatically be diverted to the hose when cleaner is turned on.

To remove hose, press latch (D) on hose connector and pull outward.

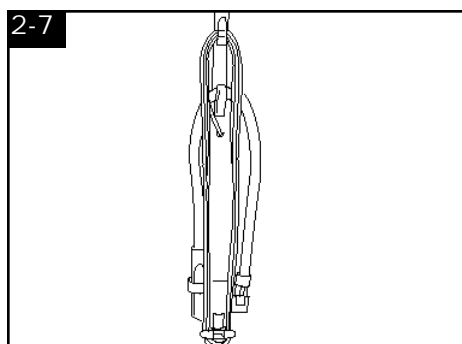
Note: Hose must be removed from hose door when cleaning carpet and floors to insure proper cleaning.

After using the hose and tool, place them back in the holder as for storing.



Carrying handle

For your convenience a carrying handle (E) is provided to assist in moving the cleaner and when cleaning stairs.



Storing cleaner

When cleaner is not in use, wrap cord around cord hooks and place hose and tool in holder as shown.

For your convenience, cleaner may be hung on a hook from opening at top of handle.

3. Maintenance

Familiarize yourself with these home maintenance tasks as proper use and care of your cleaner will ensure continued cleaning effectiveness.

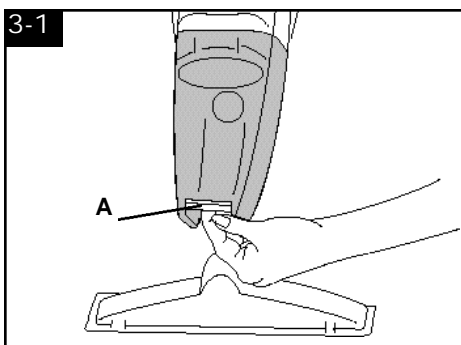
Dirt cup

The dirt and debris picked up by the cleaner is deposited into the dirt cup. **It is recommended that the dirt cup be emptied after each use.**

When empty, the cup can be cleaned with a damp cloth or rinsed with water. Be sure cup is dry before reusing.

All models have a filter and others also have a cyclonic cone (filter assembly inside the cup) that provides extended cleaning performance.

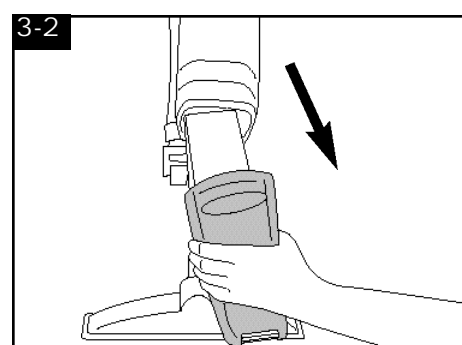
However, **very fine materials, such as face powder, cornstarch and fireplace ashes, picked up in large quantities can seal the filter and cause a loss of suction. When using the cleaner for this type of dust, empty cup often.**



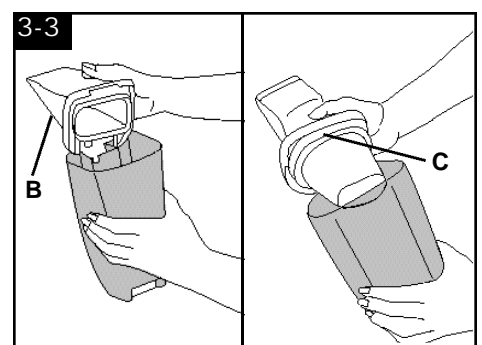
How to empty dirt cup

Disconnect cleaner from electrical outlet.

Lift latch (A) at bottom of cup to release cup.

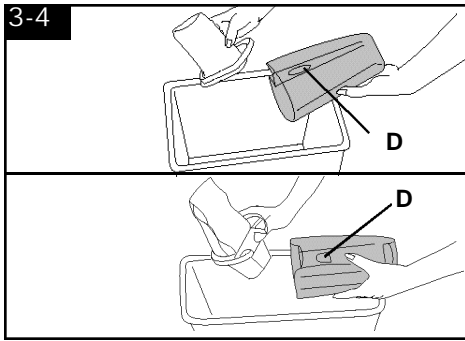


Grasp cup and pull forward to remove it from the cleaner.

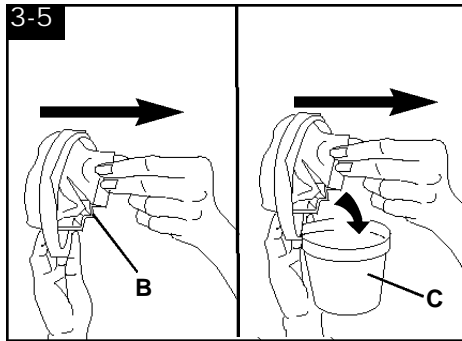


Remove filter (B) or filter assembly (C) from top of cup.

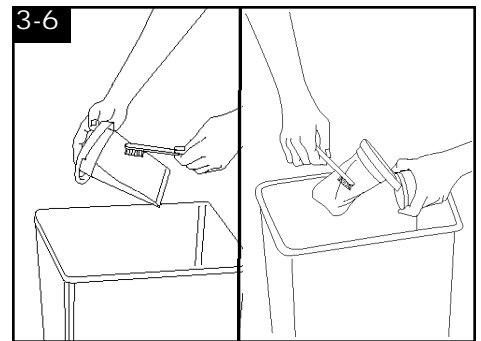
Continued →



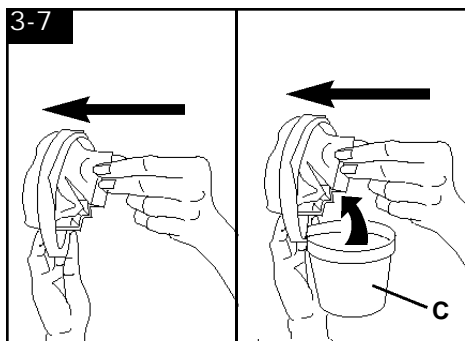
Empty cup, making sure to hold cup with dirt port (D) facing up.
Shake dust from filter.



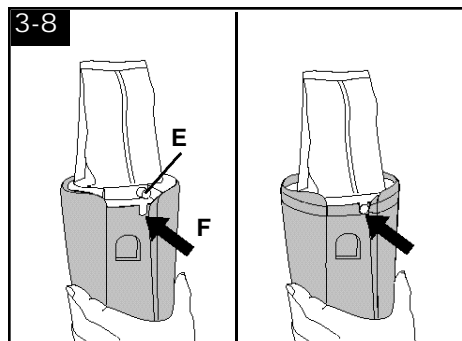
Push filter (B) inside out through filter frame.
For models with filter assembly, pivot cone (C) away from filter and push filter inside out through frame.



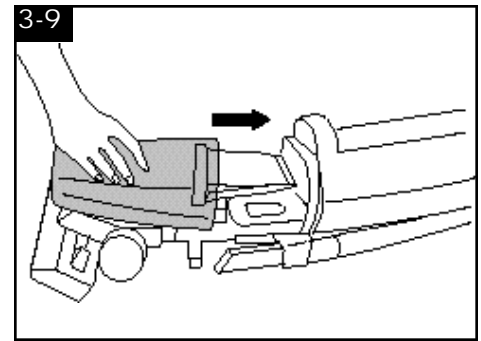
Brush the surface of filter to remove any clinging litter. (Filter or filter assembly may be washed in warm water. It must be **completely dry** before replacing in cleaner. **Do not use cleaner without filter or filter assembly in place.**)



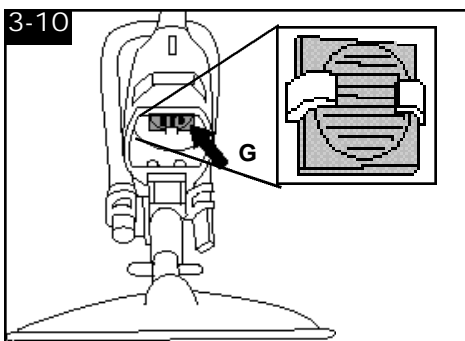
Push filter back through frame and pull it right side out.
For models with filter assembly, pivot cone (C) back into place.



Place filter **on top** of cup as shown and push frame fully into cup.
Tab (E) on the frame fits down into slot (F) in the cup.



Slide filter or filter assembly into cleaner body and latch cup into position.



Secondary filter How to clean

Disconnect cleaner from electrical outlet.

The secondary filter (G) protects the motor from dirt particles and does not need to be removed for cleaning.

The filter is located on the inside top of the cleaner body and can be seen when the dirt cup and filter are removed. When the filter becomes dirty, it can be cleaned by wiping it off with a damp cloth.

Rug and floor nozzle

To maintain the cleaning effectiveness of your deluxe nozzle or deluxe wheeled nozzle, the brushes may need to be replaced occasionally.

See your nearest Hoover Factory Service Center or Authorized Warranty Dealer (Depot) for new brushes.

Lubrication

The motor is equipped with two sleeve bearings. These bearings contain sufficient lubrication for the life of the motor. Therefore, **do not add lubricant to either motor bearing.**

4. If you have a problem

If a minor problem occurs, it usually can be solved quite easily when the cause is found by using the check list below.

Problem: Cleaner won't run

Possible cause

Possible solution

- **Not firmly plugged in.**
- Plug unit in firmly.
- **No voltage in wall plug.**
- Check fuse or breaker.
- **Blown fuse/tripped breaker.**
- Replace fuse/reset breaker.

Problem: Cleaner suction low

Possible cause

Possible solution

- **Dirt cup full.**
- Empty dirt cup.
- **Filter clogged.**
- Empty dirt cup and clean filter.
- **Nozzle clogged.**
- Remove obstruction.
- **Speed selector set too low** (some models)
- Move speed selector to a higher speed.

Problem: Cleaner is difficult to push on carpet

Possible cause

Possible solution

- **Nozzle set for "BARE FLOOR"(available on some models) - brush is locked.**
- Set nozzle for "RUG".

Service

To obtain approved HOOVER service and genuine HOOVER parts, locate the nearest **Hoover Factory Service Center or Authorized Hoover Warranty Service Dealer (Depot)** by:

- checking the Yellow Pages under "Vacuum Cleaners - Household" OR -
- checking the list of Factory Service Centers provided with this cleaner OR -
- calling **1-800-944-9200** for an automated referral of authorized service outlet locations (U.S. only) OR -
- checking the Service section of The Hoover Company on-line at **www.hoovercompany.com**

Do not send your cleaner to The Hoover Company in North Canton for service, this will only result in delay.

If further assistance is needed, contact The Hoover Company Consumer Response Center, North Canton, Ohio 44720 Phone: 1-330-499-9499.

In Canada, contact Hoover Canada, Burlington, Ontario L7R 4A8, Phone: 1-800-263-6376.

Always identify your cleaner by the **complete** model number when requesting information or ordering parts. (The model number appears in the middle of the back of the cleaner body.)

Cleaning Effectiveness Per Amp Rating

This is not an Amp rating. Amps do not measure dirt removal, only the amount of electricity used. Cleaning Effectiveness Per Amp is determined by dividing this model's Cleaning Effectiveness* by its Amps.

***Cleaning Effectiveness** is the percent value obtained from dividing:

(a) the geometric mean of the amount of embedded carpet dirt removed in testing under ASTM Test Method F608-89, by

(b) the value 29 (the geometric mean of the midpoints of the % dirt pickup scales selected by Hoover as a reference for its rating system).

Full One Year Warranty

(Domestic Use)

Your HOOVER® appliance is warranted in normal household use, in accordance with the Owner's Manual against original defects in material and workmanship for a period of one full year from date of purchase. This warranty provides, at no cost to you, all labor and parts to place this appliance in correct operating condition during the warranted period. This warranty applies when the appliance is purchased in the United States including its territories and possessions, or in Canada or from a U. S. Military Exchange. Appliances purchased elsewhere are covered by a limited one year warranty which covers the cost of parts only. This warranty does not apply if the appliance is used in a commercial or rental application.

Warranty service can only be obtained by presenting the appliance to one of the following authorized warranty service outlets. Proof of purchase will be required before service is rendered.

1. Hoover Factory Service Centers.
2. Hoover Authorized Warranty Service Dealers (Depots).

For an automated referral of authorized service outlets in the U.S.A., phone 1-800-944-9200 OR

Visit The Hoover Company on-line at www.hoovercompany.com

This warranty does not cover pick up, delivery, or house calls; however, if you mail your appliance to a Hoover Factory Service Center for warranty service, transportation will be paid one way.

While this warranty gives you specific legal rights, you may also have other rights which vary from state to state.

If further assistance is needed, or if there are questions concerning this warranty or the availability of warranty service outlets, write or phone the Consumer Response Center, The Hoover Company, 101 East Maple St., North Canton, Ohio 44720. Phone 1-330-499-9499.

In Canada, contact Hoover Canada, Burlington, Ontario L7R 4A8, 1-800-263-6376.