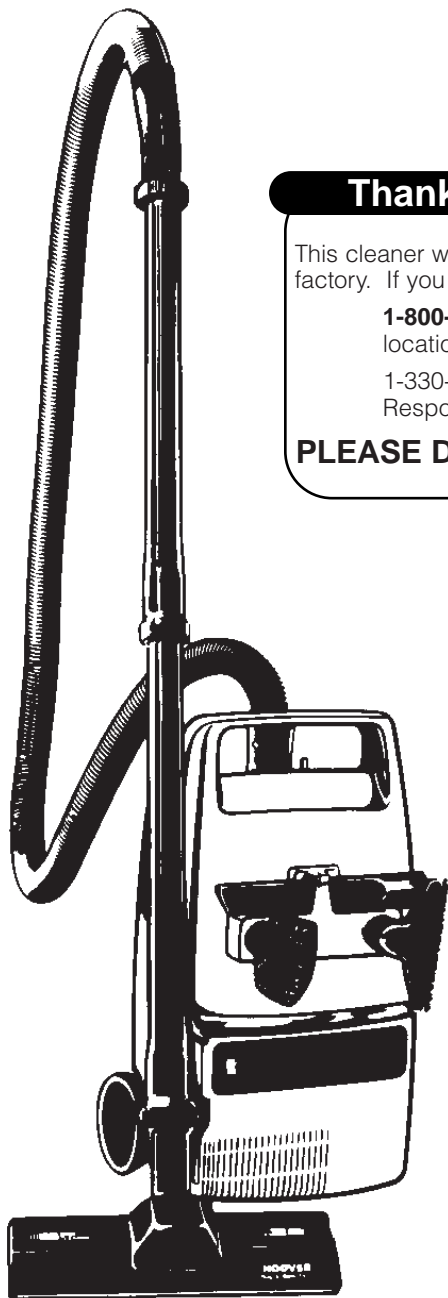


HOOVER®

Owner's Manual

Canister Cleaner



Thank you for selecting a HOOVER® product

This cleaner was inspected and packaged carefully before being shipped from the factory. If you should happen to need assistance during assembly or operation, call

1-800-944-9200 for automated referral of authorized service outlet locations (U.S. only)

1-330-499-9499 to speak with a representative in our Consumer Response Center.

PLEASE DO NOT RETURN THIS PRODUCT TO THE STORE.

**Review this manual before
operating cleaner.**



Fill in and retain

The model and serial number are located on the bottom of the cleaner.

For your personal records, please enter the COMPLETE model and serial number in the spaces provided and retain this information.

Your cleaner is model _____

and has serial number _____

It is suggested that you attach your sales receipt to this owner's manual. Verification of date of purchase may be required for warranty service of your Hoover product.

Index

Assembling Cleaner	3
Cleaner Descriptions	4
How To Use	
Cleaning Tools	4
Rug and Floor Nozzle.....	4
To Clean Stairs.....	4
If You Have a Problem	6
Important Safeguards.....	2
Lubrication	6
Maintenance	
Cleaning Secondary Filter	6
Obstructions	6
Replacing Bag.....	5
Service	6

Important Safeguards!

When using an electrical appliance, always follow basic precautions, including the following:

READ ALL INSTRUCTIONS BEFORE USING THIS APPLIANCE

Warning:

- To reduce the risk of fire, electric shock or injury:
- Do not use outdoors or on wet surfaces.
 - Close supervision is necessary when any appliance is used by or near children. Do not allow vacuum cleaner to be used as a toy or to run unattended at any time.
 - Keep hair, loose clothing, fingers, and all parts of body away from openings, and moving parts.
 - Do not pick up anything that is burning or smoking, such as cigarettes, matches, or hot ashes.
 - Do not use to pick up flammable or combustible liquids such as gasoline or use in areas where they may be present.
 - Avoid picking up hard, sharp objects with the cleaner. They may damage the cleaner and the bag.
 - Do not use without dust bag or filters in place. Change bag frequently when picking up very fine materials such as powder.
 - Use extra care when cleaning on stairs.
 - Do not put any object into openings. Do not use with any opening blocked; keep free of dust, lint, hair, or anything that may reduce air flow.
 - Do not pull or carry by cord, use cord as a handle, close door on cord or pull cord around sharp edges or corners. Do not run appliance over cord. Keep cord away from heated surfaces.
 - Always disconnect cord from electrical outlet before servicing the cleaner.
 - Unplug cleaner when not in use. Turn off all controls before unplugging.
 - Do not unplug by pulling on cord. To unplug, grasp the plug, not the cord. Never handle plug or appliance with wet hands.
 - The use of an extension cord is not recommended.
 - Do not use with damaged cord or plug. If appliance is not working as it should, has been dropped, damaged, left outdoors, or dropped into water, take it to a Hoover Factory Service Center or Authorized Hoover Warranty Service Dealer (Depot).
 - Use vacuum cleaner only for its intended use as described in the instructions. Use only attachments recommended by The Hoover Company; others may cause hazards.



© 1991 The Hoover Company
www.hoovercompany.com

Save these instructions!

1. Assembling cleaner

Questions or Concerns?

The Hoover Company wants to quickly resolve any concerns about your cleaner or questions regarding its use. Look on the list provided with the product for your local **Hoover Factory Service Center** or in the Yellow Pages under "Vacuum Cleaners - Household" for the nearest **Authorized Hoover Warranty Service Dealer** (Depot) or call:

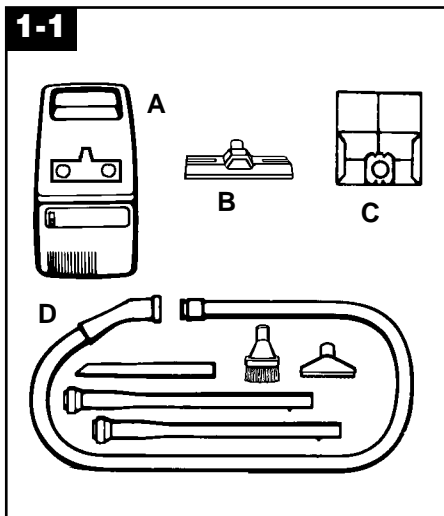
1-800-944-9200 for an automated referral of authorized service outlet locations (U.S. only)

OR

1-330-499-9499 to speak with a representative in the Hoover Consumer Response Center.

PLEASE DO NOT RETURN THIS PRODUCT TO THE STORE OR SEND IT TO NORTH CANTON FOR SERVICE.

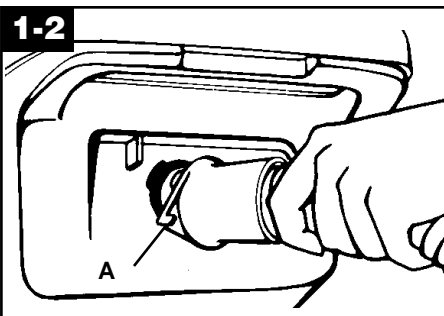
Carton contents



Unpack cleaner from carton and identify the parts shown. Remove and dispose of the packing.

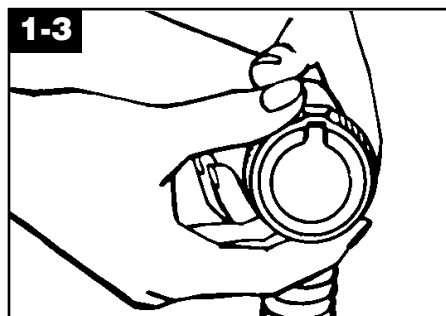
- A. Canister cleaner
- B. Rug and floor nozzle
- C. Filter bag
- D. Extension wands, hose, and cleaning tools

Attaching parts



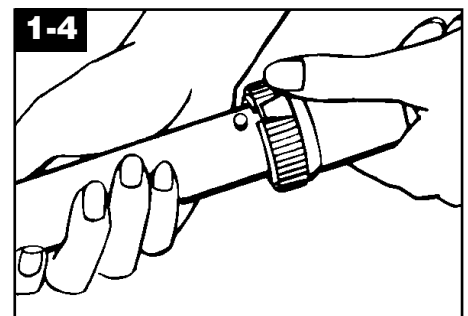
Connect hose

Insert hose end with latch (A) into opening of cleaner, lining up largest projection on hose with largest notch of opening. Turn hose to the right to tighten. To disconnect, depress latch, and turn hose to the left.



Attach wands, tools and nozzle

To attach hose to extension wand or tool, turn plastic latch ring on hand grip until outer slot lines up with inner slot.



Push hand grip down onto wand or tool so that button projection fits into slot. Turn latch ring to lock into place.

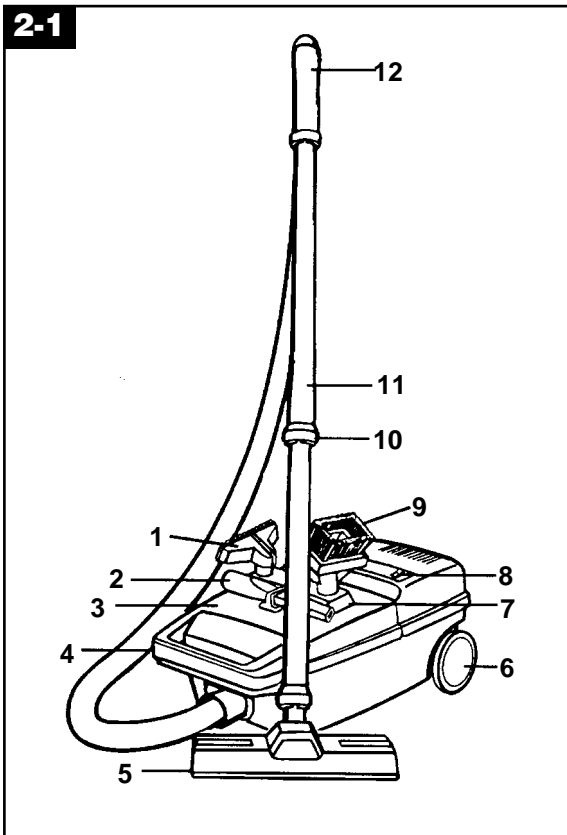
Attach second wand and nozzle or tools in the same manner.

Reverse procedure to remove wand, tool or nozzle.

2. How to use

Cleaner description

2-1



The assembled cleaner will look like the drawing.

1. Furniture nozzle

2. Crevice tool

3. Cover: remove by lifting up top section of carrying handle and pulling forward.

4. Carrying handle

5. Rug and floor nozzle

6. Large wheels: provide easy towing, when cleaner is pulled over carpet, area rugs and door sills.

7. Tool rack: provides storage for crevice tool, dusting brush, and furniture nozzle.

8. ON-OFF switch: located on top of cleaner.

9. Dusting brush

10. Plastic latch ring: rotate to lock hand grip to extension wands or cleaning tools.

11. Extension wands: used with rug and floor nozzle. If added length is desired when using cleaning tools, add one or both wands to hose.

12. Hand grip

Operate cleaner only at voltage specified on data plate on bottom of cleaner.

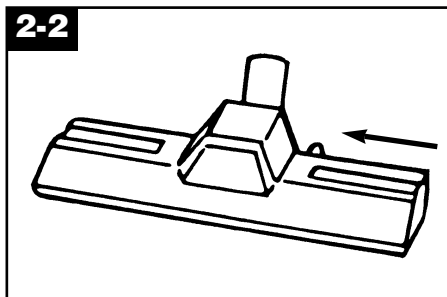
This cleaner is intended for household use.

ON-OFF switch

Depress switch to turn cleaner ON or OFF.

To reduce the risk of electric shock, this appliance has a polarized plug (one blade is wider than the other). This plug will fit in a polarized outlet only one way. If the plug does not fit fully in the outlet, reverse the plug. If it still does not fit, contact a qualified electrician to install the proper outlet. Do not change the plug in any way.

2-2



Rug and floor nozzle

The combination rug and floor nozzle has been designed to do an efficient cleaning job on both carpet and hard surface floors.

The nozzle also has constant edge cleaning for cleaning along baseboards and solid furniture.

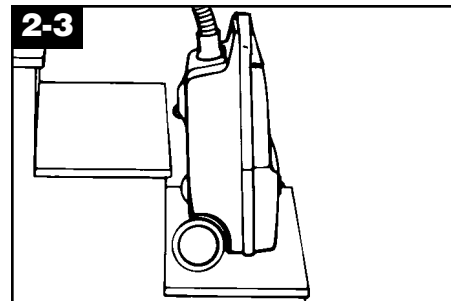
Hard surface floor

Lock brushes to clean bare floors by sliding indicator to BARE FLOOR.

Rugs

Release brushes to clean rugs or carpet by sliding indicator to RUG.

2-3



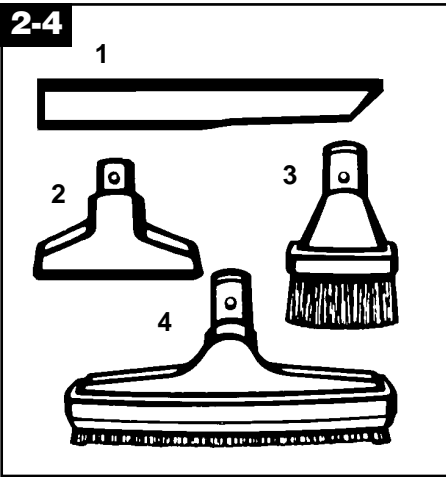
Cleaning stairs

Clean stairs by placing cleaner on end as shown. Clean stairs from bottom to top.

Cleaning tools

A variety of useful cleaning tools, made for your cleaner is shown.

The hard floor tool is available at additional cost from your Authorized Hoover Dealer, a Hoover Factory Service Center, by writing to The Hoover Company, North Canton, Ohio 44720, or through The Hoover Company online at www.hoovercompany.com



Selecting tools

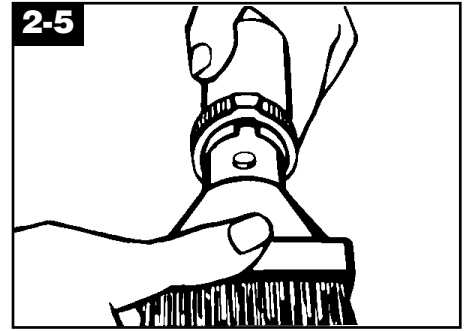
1. Crevice tool may be used in tight spaces, corners and along edges in such places as dresser drawers, upholstered furniture, stairs and baseboards.

2. Furniture nozzle may be used for upholstered furniture, draperies, tapestry, mattresses, clothing, automobile interiors and carpeted stairs.

3. Dusting brush may be used for carved furniture, table tops, books, lamps, lighting fixtures, venetian blinds, baseboards, shutters and registers.

***4. Hard floor tool** may be used for walls and very irregular hard surface floors such as brick and slate.

*Available at additional cost



Attaching tools

Attach tools to hand grip and plastic wands by rotating latch ring until slots align; insert tool and rotate ring to lock.

To remove tool, reverse above procedure.

3. Maintenance

Familiarize yourself with these home maintenance tasks as proper use and care of your cleaner will ensure continued cleaning effectiveness.

Filter bag

When to replace

Check the bag occasionally. When bag is filled with dirt, the cleaner will not operate efficiently. Discard used bag.

CAUTION: Very fine materials, such as face powder, cornstarch, fireplace ashes or fireplace soot may seal the paper bag and may cause it to burst even though it is only partially filled with dirt. When the cleaner is used to remove material of this nature, the bag should be changed frequently.

Where to buy

Bags may be purchased from your local Authorized Hoover Dealers (Depots), Leading Retailers, Hoover Factory Service

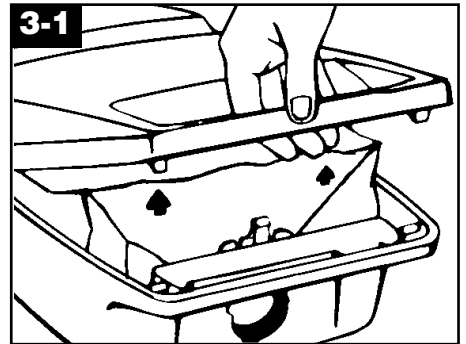
Centers, or through The Hoover Company online at www.hoovercompany.com. **When purchasing bags, be sure to give the model number of your cleaner.**

What to buy

For improved cleaning effectiveness, use **Genuine HOOVER® Allergen Filtration Type K** disposable filter bags with your cleaner.

Regular **HOOVER® Type K** disposable filter bags will also fit your cleaner.

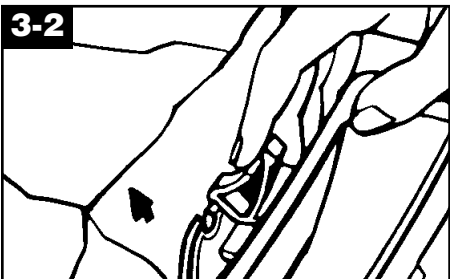
To assure that your HOOVER cleaner operates at peak performance, it is imperative that you use only genuine HOOVER paper bags distributed by The Hoover Company. HOOVER bags can be identified by the trademarks —



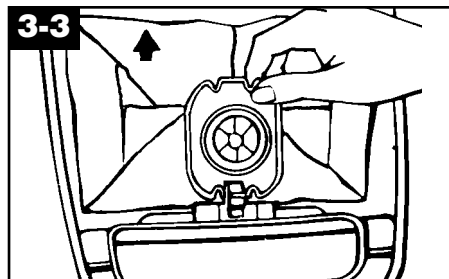
Replacing the filter bag

Disconnect cleaner from electrical outlet.

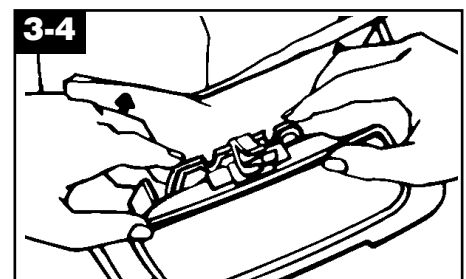
Remove cover by lifting top section of carrying handle and pulling forward.



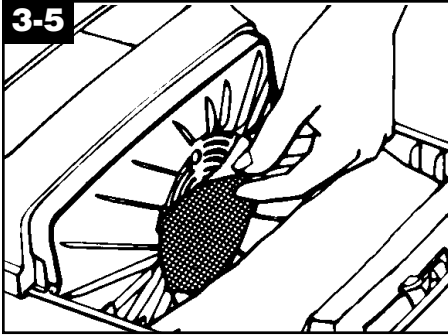
Depress latch and lift out used bag.



To install new bag, place notches on bag collar (at bag edge) into groove inside lower front edge of cleaner.



Pull collar forward until latch snaps into collar. Open folds of bag. Replace cover.



Secondary filter Cleaning filter

Disconnect cleaner from electrical outlet.

The secondary filter is located inside the cleaner behind the filter bag. To remove filter, first remove cover of cleaner, then lift out filter. Clean filter by rinsing it in water. When dry, slide filter back into position.

Do not operate cleaner without the secondary filter in place.

Service

To obtain approved HOOVER service and genuine HOOVER parts, locate the nearest **Hoover Factory Service Center or Authorized Hoover Warranty Service Dealer (Depot)** by:

- checking the Yellow Pages under "Vacuum Cleaners - Household" OR -
- checking the list of Factory Service Centers provided with this cleaner OR -
- calling 1-800-944-9200 for an automated referral of authorized service outlet locations (U.S. only) OR -
- checking the Service section of The Hoover Company online at www.hoovercompany.com

Please do not send your cleaner to The Hoover Company in North Canton for service, this will only result in delay.

If further assistance is needed, contact The Hoover Company Consumer Response Center, North Canton, Ohio 44720 Phone: 330-499-9499.

In Canada, contact Hoover Canada, Burlington, Ontario L7R 4A8, Phone: 1-800-263-6376.

Always identify your cleaner by the **complete** model number when requesting information or ordering parts. (The model number appears on the bottom of the cleaner.)

Rug and floor nozzle

To maintain cleaning effectiveness of your rug and floor nozzle, the brushes may need to be replaced occasionally. See your nearest Hoover Factory Service Center or Authorized Warranty Service Dealer for new brushes.

Lubrication

The motor is equipped with sealed ball bearings. The addition of lubricant could cause damage. **Therefore, do not add lubricant to the motor bearings.**

4. If you have a problem

If a minor problem occurs, it usually can be solved quite easily when the cause is found by using the check list below.

Problem: Cleaner won't run

Possible cause

Possible solution

- **Not firmly plugged in**
- *Plug in firmly*
- **No voltage in wall plug**
- *Check fuse or breaker*
- **Blown fuse/tripped breaker**
- *Replace fuse/reset breaker*

Problem: Cleaner suction low

Possible cause

Possible solution

- **Bag full**
- *Replace paper filter bag*
- **Bag not opening**
- *Open bag by pulling folds*
- **Blockage in wands, hose or nozzle connector**
- *Remove blockage (see "Clearing obstructions" section)*
- **Secondary filter dirty**
- *Clean filter*

Problem: Nozzle won't pick up

Possible cause

Possible solution

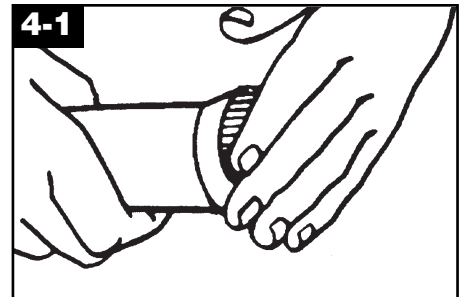
- **Nozzle brush worn**
- *Replace brush*

Clearing obstructions

Remove larger objects from carpet and floor surfaces before vacuuming to help prevent obstructions in hose, wands or nozzle connector, and to maintain cleaning effectiveness of your cleaner.

To check for blockages, proceed with each of the following steps until the blockage is found.

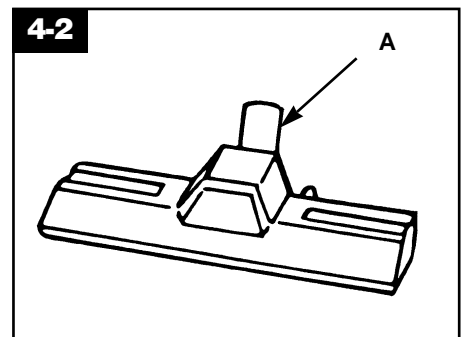
1. Turn cleaner OFF and disconnect wands from hand grip.



2. Turn cleaner ON and check hose end for suction. Turn cleaner OFF and remove any blockages.

3. Remove nozzle from wands and attach wands to hose. Turn cleaner ON and check for suction.


Turn cleaner OFF and remove any blockages.




4. Before attaching nozzle to wands, check nozzle connector (A).

Look into nozzle connector and remove any blockages.

HOOVER y  son marcas registradas
THE HOOVER COMPANY, NORTH CANTON, OHIO 44720

HOOVER et  sont des marques déposées
THE HOOVER COMPANY, NORTH CANTON, OHIO 44720

HOOVER and  are registered trademarks
THE HOOVER COMPANY, NORTH CANTON, OHIO 44720