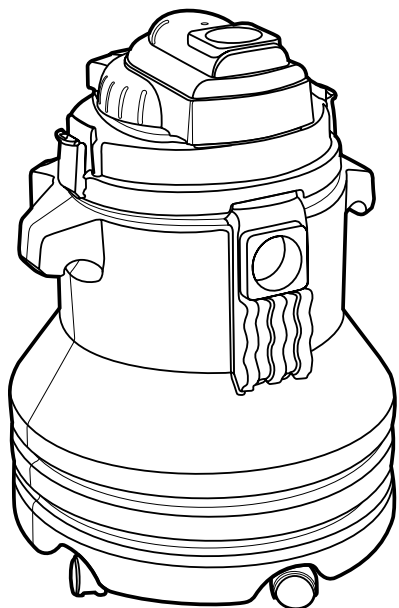




Commercial Wet/Dry Vacuum Cleaner Owner's Guide SC2800 Series



Index

Important Safeguards	3-5
Service Information	6
Identify Parts	7
Use	8-9
Motor Filter	10
Clean and Store	11
Warranty	14-15

To view the **repair parts list**, go to www.sanitairevac.com or call 1-800-800-8975 for a copy.

For location of nearest **Sanitaire/Eureka Warranty Station** or service information call 1-800-800-8975.

IMPORTANT SAFEGUARDS

When using an electrical appliance, basic precautions should always be followed, including the following:

READ ALL INSTRUCTIONS BEFORE USING THIS VACUUM CLEANER.

WARNING

To reduce the risk of fire, electric shock, or injury.

- Use indoors only.
- **Do not leave vacuum cleaner when plugged in.** Turn off the switch and unplug the electrical cord when not in use and before servicing.
- Do not allow to be used as a toy. Close attention is necessary when used by or near children.
- Use only as described in this manual. Use only manufacturer's recommended attachments.
- Do not use with damaged cord or plug. If vacuum cleaner is not working as it should, has been dropped, damaged, left outdoors, or dropped into water, return it to a service center before using.
- Do not pull or carry by cord, use cord as a handle, close a door on cord, or pull cord around sharp edges or corners. Do not run vacuum cleaner over cord. Keep cord away from heated surfaces.
- Connect to a properly grounded outlet only (refer to Grounding Instructions).
- Do not use extension cords or outlets with inadequate current carrying capacity.
- Turn off all controls before unplugging.
- Do not unplug by pulling on cord. To unplug, grasp the plug, not the cord.
- Do not handle plug or vacuum cleaner with wet hands.
- Do not put any object into openings. Do not use with any opening blocked; keep free of dust, lint, hair, and anything that may reduce airflow.
- This vacuum cleaner creates suction. Keep hair, loose clothing, fingers, and all parts of body away from openings and moving parts.
- Do not pick up anything that is burning or smoking, such as cigarettes, matches, or hot fireplace or barbecue ashes. Live sparks or embers could start a fire in waste material inside the tank.
- Do not use without ball float and cage in place.
- Use safety goggles to avoid the discharge air as particles in the air could cause eye damage.
- Use extra care when cleaning on stairs.
- If the machine tips over during use, shut it off immediately, set it upright, and wait for the motor to stop completely. This allows the ball float to return to normal position and permits proper airflow through the cleaner.
- Do not use to pick up flammable or combustible liquids such as gasoline, or use in areas where they may be present.
- Store your cleaner indoors and in a cool, dry area.
- Keep your work area well lighted.
- Unplug electrical appliances before vacuuming them.

SAVE THESE INSTRUCTIONS

CONSEILS DE SÉCURITÉ IMPORTANTS

L'utilisation d'un appareil électrique sous-entend l'observation de certaines règles de sécurité élémentaires:

LIRE TOUTES LES INSTRUCTIONS AVANT D'UTILISER L'ASPIRATEUR.

AVERTISSEMENT

Pour réduire les risques de feu, de secousse électrique ou de blessure:

- Utiliser à la maison seulement.
- **Ne pas s'absenter tant que l'aspirateur est branché.** Éteindre l'appareil et le débrancher lorsqu'on ne s'en sert plus et avant son entretien.
- Veiller à ce que l'aspirateur ne serve pas de jouet, particulièrement si l'utilisateur est un enfant ou si l'on s'en sert près d'un enfant.
- Ne s'en servir que selon la description qu'en donne le guide. N'employer que les accessoires que recommande le fabricant.
- Ne pas s'en servir si le cordon ou la fiche sont abîmés. Avant de se servir de l'aspirateur, le retourner à un centre de réparation s'il ne fonctionne pas comme il faut, s'il est tombé ou abîmé, si on l'a laissé dehors ou laissé tomber dans l'eau.
- Ne pas le tirer ou le transporter par le cordon, ne pas se servir du cordon comme d'une poignée, ne pas coincer le cordon en fermant une porte et ne pas tirer le cordon sur des encoignures ou des bordures pointues. Ne pas passer l'aspirateur sur le cordon. Éloigner le cordon des surfaces chauffées.
- Branchez toujours l'aspirateur dans une prise à trois (mise à la terre).
- Ne pas se servir de cordons de rallonge ou de prises d'intensité admissible mal adaptée aux besoins.
- Éteindre complètement l'aspirateur avant de le débrancher.
- Ne pas tirer sur le cordon pour débrancher l'aspirateur. Le débrancher en tirant sur la fiche et non sur le cordon.
- Ne toucher ni à la fiche ni à l'aspirateur avec les mains mouillées.
- Ne pas introduire d'objets dans les orifices. Ne pas se servir de l'aspirateur avec une ouverture bouchée et en écarter poussière, charpie, cheveux et autres qui risquent de réduire la circulation de l'air.
- L'aspirateur crée une aspiration. Cheveux, vêtements amples, doigts et d'une manière générale tous les membres du corps doivent se trouver à l'écart des pièces mobiles et des ouvertures.
- Ne rien ramasser de brûlant ou de fumant, comme par exemple mégots, allumettes ou cendres chaudes des cheminées ou des grilles. Des étincelles ou des braises peuvent commencer un feu dans les dégâts au dedans du réservoir.
- Ne pas s'en servir sans le filtre du moteur ou que le filtre soit abîmé.
- Utiliser avec des lunettes protectrices ou éviter des bouffées d'air car des poussières dans l'air peuvent abîmer les yeux.
- Redoubler de prudence lorsqu'on aspire les escaliers.
- Si l'aspirateur se renverse quand il est en usage, tout-de-suite il faut l'éteindre, mettre-le à la position droite et attendre que le moteur s'arrête complètement. Cela permettra que la flotteur retourne à sa position normale et laisse la normale circulation d'air passée dans l'aspirateur.
- Ne pas s'en servir pour recueillir des liquides inflammables ou combustibles, tels l'essence, et ne pas utiliser dans les endroits où ces produits risquent de se trouver.
- Ranger l'aspirateur à l'intérieur, au frais et au sec.
- Bien éclairer la surface de travail.
- Débrancher les appareils électriques avant de les aspirer.

CONSERVER CES INSTRUCTIONS

Grounding Instructions

This appliance must be grounded. If it should malfunction or breakdown, grounding provides a path of least resistance for electric current to reduce the risk of electric shock. This appliance is equipped with a cord having an equipment-grounding conductor and grounding plug. The plug must be plugged into an appropriate outlet that is properly installed and grounded in accordance with all local codes and ordinances.

DANGER

Improper connection of an equipment-grounding conductor can result in risk of electric shock. Check with a qualified electrician or service person if you are in doubt as to whether the outlet is properly grounded. Do not modify the plug provided with the appliance. If it will not fit the outlet, have proper outlet installed by a qualified technician.

This appliance is for use on a nominal 120 volt circuit and has a grounding plug that looks like the plug illustrated in Figure A. A temporary adapter which looks like the adapter illustrated in Figure B may be used to connect this plug to a two-pole receptacle, as shown, if a properly grounded outlet is not available. The temporary adapter should be used only until a properly grounded outlet, Figure A, can be installed by a qualified electrician. The green colored rigid ear, lug, or the like extending from the adapter must be connected to a permanent ground such as a properly grounded outlet box cover. Whenever the adapter is used, it must be held in place by a metal screw.

NOTE: In Canada, the use of a temporary adapter is not permitted by the Canadian Electrical Code.

INSTRUCTIONS VISANT LA MISE À TERRE

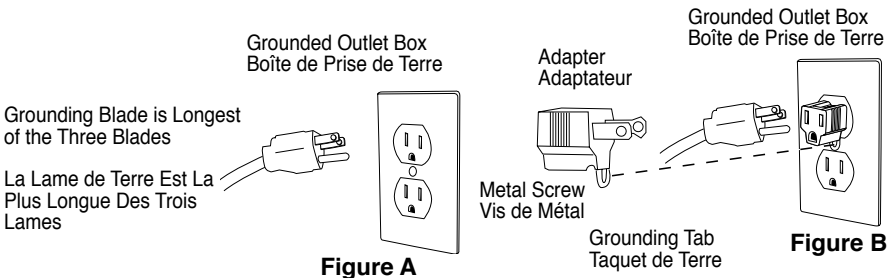
Cet appareil doit être mis à la terre. En cas défaillance ou de panne éventuelles, la mise à la terre fournit au courant un chemin de moindre résistance qui réduit le risque de choc électrique. Cet appareil est pourvu d'un cordon muni d'un conducteur de terre et d'une fiche avec broche de terre. La fiche doit être branchée dans une prise appropriée correctement installée et mise à la terre conformément aux règlements et ordonnances municipaux.

AVERTISSEMENT

Un conducteur de terre mal raccordé peut entraîner un risque de choc électrique. Consulter un électricien ou un technicien d'entretien qualifié si vous n'êtes pas certain que la prise est correctement mise à la terre. Ne pas modifier la fiche fournie avec l'appareil-si elle ne peut être insérée dans la prise, faire installer une prise adéquate par un électricien qualifié.

Note. Au Canada, l'utilisation d'un adaptateur temporaire n'est pas autorisée par le Code canadien de l'électricité.

Cet appareil est destiné à un circuit de 120V et est muni d'une fiche de mise à la terre semblable à celle illustrée par le Figure A. S'assurer que l'appareil est branché à une prise de courant ayant la même configuration que la fiche. Aucun adaptateur ne devrait être utilisé avec cet appareil.



GENERAL INFORMATION

Automatic Suction Shut-Off

NOTE: Use the vacuum in the upright position. If the cleaner should tip, the automatic suction shut-off turns off the suction.

The automatic suction shut-off functions when the tank is full of liquid. As the tank fills, the ball float (inside the cage) rises until it seats itself against bottom of the motor. This shuts off the suction causing the motor sound to become higher in pitch. When this happens, empty the tank.

The automatic suction shut-off also functions if the cleaner tips over. To continue use, turn cleaner off and set it upright. Wait a few seconds to allow motor to come to a complete stop so the ball drops. Restart the motor.

Service Information

The instructions in this booklet serve as a guide to routine maintenance. For additional service information, telephone our toll free number for the nearest Sanitaire/Eureka Authorized Warranty Station. **You should know the model, type and serial numbers when you call:**

USA: 1-800-800-8975
Mexico: 5670-6169
Canada: 1-800-800-8975

If you prefer, you can write to The Eureka Company, Service Division, 807 North Main Street, Bloomington, Illinois 61701, USA. In Canada, write to The Eureka Company, 866 Langs Drive, Cambridge, Ontario N3H 2N7. Refer to The Eureka Warranty for complete service information.



DO NOT OIL the motor at any time. Bearings have a seal and are permanently lubricated.

Rating Plate

The model, type and serial numbers are on the rating plate, located on the back of the lid. For prompt and complete service information, always refer to these numbers when inquiring about service.

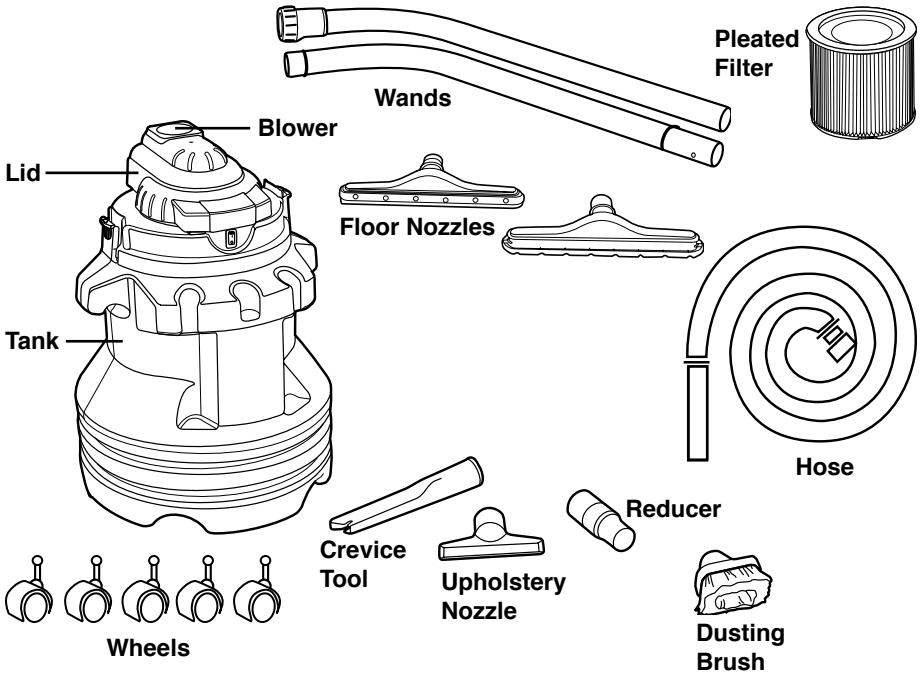
MODEL	TYPE	SERIAL NO.
VOLTS	AMPS.	HERTZ
SERVICE INFORMATION: 1-800-800-8975		
THE EUREKA COMPANY		
BLOOMINGTON, ILLINOIS 61701		

Model and Type: _____

Serial No. _____

CONTENTS OF WET/DRY VAC

Unpack accessories from carton and remove vacuum cleaner. Additional accessories may be inside the tank.



HOW TO ASSEMBLE

CAUTION: Fully assemble before using.

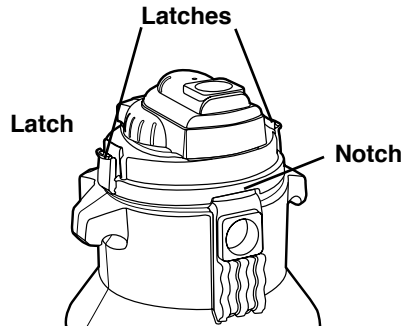
NOTE: Additional accessories are inside the tank.

Remove Lid

- Squeeze latches together.
- Lift lid to remove.

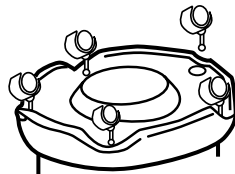
To replace lid

- Align notch in the lid with the tank.
- Push the lid down until each latch snaps to secure.



Attach Wheels

- Put tank upside down.
- Push and snap a wheel into each socket.



HOW TO USE

Dry Pick Up

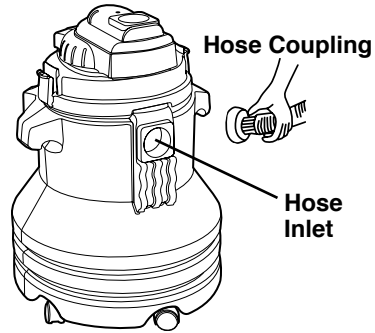
To vacuum dry material, use the end of the hose or attach the floor nozzle without the squeegee.

Wet Pick Up

To vacuum liquids, use the floor nozzle with the squeegee. The filter should be clean for maximum efficiency.

Attach Hose Coupling

- Push the hose coupling into the hose inlet.
- Give a slight twist to secure.



Connect Electric Plug

- Place electric plug into outlet.

Power Switch

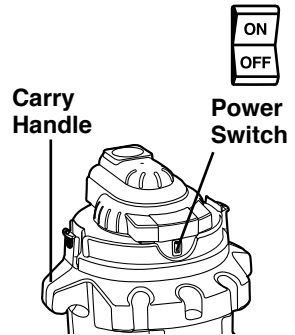
The power switch is opposite the hose inlet.

- Wear ear protection (not provided) if operating the cleaner for a prolonged period of time.
- Push power switch to turn on.

Carry Handle

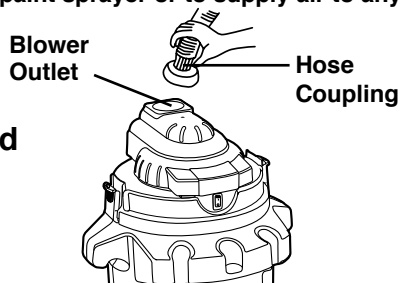
CAUTION: Do Not carry wet or dry vacuum by the lid.

- Carry handles are part of the tank.
- Always use these handles when lifting the cleaner.



Blower

- NOTE:**
- Clean the hose, tank and tools before using the blower.
 - Always wear safety goggles. Goggles are not sold with the cleaner.
 - We recommend ear protection if using the cleaner for a long time.
 - Never point blower toward people, animals or objects. The flying debris can cause injury or damage.
 - Do Not use the cleaner to power a paint sprayer or to supply air to any other sprayer.



How To Use The Blower On The Lid

- Place hose coupling into blower outlet.

HOW TO USE (continued)

Above-the-floor Cleaning Tools

- Use reducer at hose end (see illustration on page 7).
- Push desired tool onto the reducer.
- Cleaning tools fit on hose end only.

Floor Nozzles

- Push 1 1/2" diameter wand(s) onto hose end.
- Push tool onto the wand end with locking nut. Tighten nut to secure tool. Do not overtighten, tool should still swivel.

Automatic Shut-Off

NOTE: Always use the wet or dry vacuum cleaner in the upright position. If cleaner tips over, the suction automatically shuts off.

If the cleaner tips over:

- Turn off the power switch and set the cleaner upright.
- Wait a few seconds for the motor to come to a complete stop.
- Restart the motor.

When the tank is full:

- As the tank fills with liquid, the ball float (inside the cage) rises until it seats itself against the bottom of the motor.
- The motor sound becomes a high pitch sound.
- The shut-off stops the suction.
- Turn off the power switch.
- Empty the tank (instructions follow).

CAUTION: FOR LIQUID PICKUP WITH THE PLEATED FILTER IN PLACE, DO NOT FILL ABOVE INLET OR SPILLAGE WILL OCCUR. Your filter repels liquids and when installed prevents your vac's float mechanism from automatically shutting off airflow. Airflow will cease when your filter is completely submerged in liquid, but spillage will occur if the water level reaches the vac tank's inlet before airflow stops. The liquid level at which airflow will cease will be higher than the normal automatic shut-off level. Your vac's float mechanism resumes operation after removing the filter. Your filter should be dried completely after liquid pickup to avoid mildew growth.

Empty Wet or Dry Contents from Tank

NOTE: Turn off the power switch and unplug electric cord to service.

- If cleaning liquid, lift the hose and drain any liquid back into the tank. Then remove the hose.
- Empty contents into a suitable drain for liquids. Use a container for dry contents.
- Use special care when emptying full tanks with liquids.
- Replace lid and hose to continue cleaning.

HOW TO MAINTAIN

These instructions serve as a guide to routine maintenance. To avoid unnecessary service calls, clean motor filter and empty the tank often. Empty the liquids after each use.

Motor Filter

CAUTION: Turn off power switch and unplug the electrical cord before service.
Never operate cleaner without motor filters or with defective filters.
Do not collect oily or hazardous materials.

Check and clean the Pleated Filter once a month to maintain good performance. The filter can be cleaned by washing with mild detergent and warm water. Be sure pleated filter is completely dry before reinstalling.

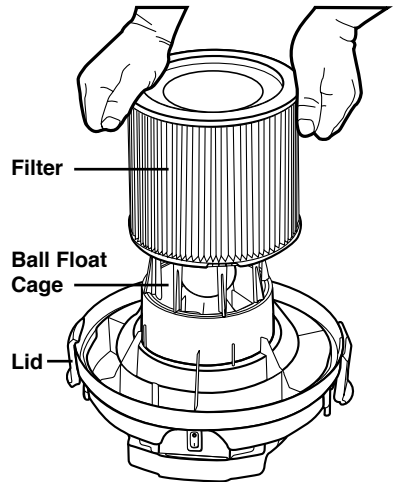
IMPORTANT: Avoid touching filter media with abrasive materials or using a brush to clean between pleats. This will permanently damage filter causing dust to bypass filter.

How To Clean Filter

- Remove the lid. Place upside down on a hard surface.
- Lift up on filter, twisting and pulling, to remove it from the ball float cage.
- To remove debris, tap filter against waste container. If filter needs further cleaning, wash in warm water. To clean between filter pleats, gently fan open under running water.
- **When all parts are cleaned**, follow the above steps in reverse to reassemble.

NOTE: Do not put any parts in a dishwasher.

NOTE: Your washable filter may need to be replaced if cleaning it does not restore cleaning performance.



Be sure to use GENUINE Sanitaire replacement filter, 28680.

HOW TO MAINTAIN (continued)

How To Clean and Store

NOTE: Turn off the power switch and unplug electrical cord before cleaning tank.

- Empty tank of all liquid and thoroughly rinse inside before storing. This is even more important after picking up wet or sticky substances.
- Use soap and warm water to clean tank and tools if cleaning a wet or sticky substance.
- Clean and dry tank and all accessories.
- Store in a cool, dry area.

Store Cord

- Wrap cord around tank.
- Fasten plug to cord to prevent unwinding.

THE SANITAIRE® COMMERCIAL LIMITED WARRANTY

WHAT THIS WARRANTY COVERS

Your Sanitaire commercial cleaner is warranted to be free from all defects in material and workmanship in normal use FOR A PERIOD OF ONE YEAR. The warranty is granted only to the original purchase of the cleaner. The warranty is subject to the following provisions.

WHAT THIS WARRANTY DOES NOT COVER

- Parts of the cleaner that require replacement under normal use, such as bumpers, bags, and hoses.
- Damages or malfunctions caused by negligence, abuse, or use not in accordance with the Owner's Guide.
- Defects or damages caused by unauthorized service or the use of other than Genuine Eureka parts.

WHAT THE EUREKA COMPANY WILL DO

The Eureka Company will, at its option, repair or replace a defective cleaner or cleaner part that is covered by this warranty. As a matter of warranty policy, the Eureka Company will not refund the consumer's purchase price.

WARRANTY REGISTRATION

Please fill out and return the warranty registration card accompanying your cleaner.

—continued on next page—

OBTAINING WARRANTY SERVICE

To obtain warranty service you must return the defective cleaner or cleaner part along with proof of purchase to any Eureka/Sanitaire Authorized Warranty Station. You will find the nearest location in the Yellow Pages under "Vacuum Cleaners—Service and Repair." Be certain that the Warranty Station is "Eureka/Sanitaire Authorized."

For the location of the nearest Eureka/Sanitaire Authorized Warranty Station or for service information, telephone toll free:

USA: 1-800-800-8975
Mexico: 5670-6169
Canada: 1-800-800-8975

If you prefer, you can write to:

The Eureka Company
Service Division
807 North Main Street
Bloomington, IL 61701, USA

In Canada write to:

The Eureka Company
866 Langs Drive
Cambridge, Ontario N3H 2N7

If it is necessary to ship the cleaner outside your community to obtain warranty repair, you must pay the shipping charges to the Eureka/Sanitaire Authorized Warranty Station. Return shipping charges will be paid by the Warranty Station. When returning parts for repair, please include the model, type, and serial numbers from the data plate on the cleaner.

FURTHER LIMITATIONS AND EXCLUSIONS

Any warranty that may be implied in connection with your purchase or use of the cleaner, including any warranty of MERCHANTABILITY or any warranty for FITNESS FOR A PARTICULAR PURPOSE is limited to the duration of this warranty. Some states do not allow limitations on how long an implied warranty lasts, so the above limitations may not apply to you.

Your relief for the breach of this warranty is limited to the relief expressly provided above. IN NO EVENT SHALL EUREKA BE LIABLE FOR ANY CONSEQUENTIAL OR INCIDENTAL DAMAGES THAT YOU MAY INCUR IN CONNECTION WITH YOUR PURCHASE OR USE OF THE CLEANER. Some states do not allow the exclusion or limitation of incidental or consequential damages, so the above limitation or exclusion may not apply to you.

This warranty gives you specific legal rights. You may also have other rights which vary by State.

THE EUREKA COMPANY
Bloomington, Illinois 61701



