

DE 4002

 **Tornado**®



English	3
Français	16
Español	30



IMPORTANT SAFETY INSTRUCTIONS

READ ALL INSTRUCTIONS BEFORE USING THIS MACHINE

- Inform your dealer immediately if there is any shipping damage.
- Completely remove the accessories from the box.
- Only operate the steam cleaner from a grounded outlet. Refer to the Technical data for the necessary main fuse.
- Connect to a properly grounded outlet only. See Grounding Instructions.

When using an electrical machine, basic precautions should always be followed, including the following: This steam cleaner is intended for commercial use.

- 1 DISCONNECT STEAM CLEANER FROM POWER CIRCUIT before removing the cover, performing maintenance work, and when not in use.
- 2 DO NOT LEAVE the machine unattended when plugged in.
- 3 ALWAYS CHECK THE POWER SUPPLY CORD for damage or signs of any aging before each use.
- 4 DO NOT PULL OR CARRY STEAM CLEANER BY CORD. Do not close door on cord or pull cord around sharp edges.
- 5 KEEP CORD AWAY FROM HEAT AND OIL. Do not leave cord lying around after job is complete. It can become a tripping hazard.
- 6 DO NOT RUN STEAM CLEANER OVER CORD.
- 7 TURN SWITCH TO OFF before unplugging power supply cord.
- 8 DO NOT UNPLUG BY PULLING CORD. To unplug, grasp plug, not cord.
- 9 DO NOT GRASP PLUG WITH WET HANDS.
- 10 A DAMAGED CORD OR PLUG should only be replaced by an authorized service center representative. DO NOT ATTEMPT TO REPAIR POWER CORD.

- 11 TO AVOID SHOCK, do not expose to rain. Store indoors.
- 12 USE ONLY AS RECOMMENDED BY THIS MANUAL. Use only with recommended attachments.
- 13 KEEP HAIR, CLOTHING, LOOSE JEWELRY, FINGERS and all parts of the body away from openings and moving parts.
- 14 DO NOT BLOCK OR OBSTRUCT OPENINGS. Keep openings free of lint, hair, dust, and anything that restricts air flow.
- 15 CONNECT STEAM CLEANER WITH PROPERLY GROUNDED OUTLET ONLY. See grounding instructions.
- 16 DO NOT ALLOW STEAM CLEANER TO BE USED AS A TOY. Keep children away from Steam Cleaner.
- 17 DO NOT LEAVE UNATTENDED while Steam Cleaner is running.
- 18 DO NOT USE IF CORD, PLUG, FILTER, OR STEAM CLEANER IS IN POOR CONDITION. If the Steam Cleaner has been dropped, damaged, exposed to weather, or dropped into water; have it checked by an authorized service.
- 19 ALWAYS USE EYE PROTECTION when operating Steam Cleaner.
- 20 USE EXTRA CAUTION when operating on stairs.
- 21 STAY ALERT! Do not use Steam Cleaner when you are tired or under the influence of drugs, alcohol or medication.

SAVE THESE INSTRUCTIONS

This steam cleaner is intended for commercial use.

SAFETY INSTRUCTIONS

GROUNDING INSTRUCTIONS

- This appliance must be grounded. If it should malfunction or break down, grounding provides a path of least resistance for electric current to reduce the risk of electric shock.
- This appliance is equipped with a cord having an equipment grounding conductor and ground plug.
- The plug must be inserted into an appropriate outlet that is properly installed and grounded in accordance with all local codes and ordinances.

WARNING:

- Improper connection of the equipment-grounding conductor can result in a risk of electric shock.
- Check with a qualified electrician or service person if you are in doubt as to whether the outlet is properly grounded.
- Do not modify the plug provided with the appliance.
- If it will not fit the outlet, have a proper outlet installed by a qualified electrician.
- This appliance is for use on a nominal 120-volt circuit, and has a grounded plug that looks like the plug illustrated in Fig.A.
- A temporary adapter that looks like the adapter illustrated in Fig.B, may be used to connect this plug to a two-pole receptacle as shown in Fig.B, if a properly grounded outlet is not available.
- The temporary adapter should be used only until a properly grounded outlet (Fig.A) is installed by a qualified electrician.
- The green colored rigid ear, lug, or the like extending from the adapter must be connected to a permanent ground such as a properly grounded outlet box cover.
- Whenever the adapter is used, it must be held in place by a metal screw.

IN ALL CASES, MAKE SURE THE RECEPTACLE IN QUESTION IS PROPERLY GROUNDED.

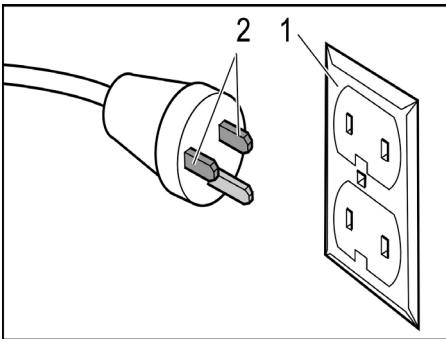
NEVER REMOVE GROUNDING PRONG FROM POWER PLUG.

EXTENSION CORDS

Use only three-wire extension cords that have three-prong grounding-type plugs and three-pole receptacle that accepts the appliance's plug. Replace damaged or worn cord immediately.

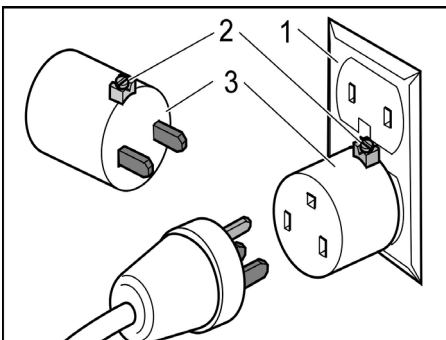
DO NOT ATTEMPT TO REPAIR POWER CORD.

Figure A



- 1 Grounded outlet box
 - 2 Current carrying prongs
- Grounding prong is longest of the 3 prongs

Figure B



- 1 Grounded outlet box
- 2 Grounding means
- 3 Adapter

Note: In Canada, the use of a temporary adapter is not permitted by the Canadian Electrical Code.

Servicing of double-insulated machines

In a double-insulated machine, two systems of insulation are provided instead of grounding. No grounding means is provided on a double-insulated machine, nor should a means for grounding be added to the machine. Servicing a double-insulated machine requires extreme care and knowledge of the system, and should be done only by qualified service personnel. Replacement parts for a double-insulated machine must be identical to the parts they replace.



Please read and comply with these original instructions prior to the initial operation of your appliance and store them for later use or subsequent owners.

- Before first start-up it is definitely necessary to read the safety indications Nr. 5.956-345!
- The non-compliance of the operating and safety instructions may lead to damages of the appliance and to dangers for the operator and other persons.
- In case of transport damage inform vendor immediately

Contents

Environmental protection . . .	EN . . . 1
Symbols in the operating instructions	EN . . . 1
Proper use	EN . . . 1
Safety Devices	EN . . . 2
Notes on the operation.	EN . . . 2
Device elements.	EN . . . 3
Start up.	EN . . . 4
Operation	EN . . . 4
How to Use the Accessories	EN . . . 6
Transport	EN . . . 7
Storage.	EN . . . 7
Maintenance and care	EN . . . 8
Troubleshooting	EN . . . 9
Warranty.	EN . . . 9
Accessories and Spare Parts	EN . . . 9
Technical specifications	EN . . . 10

Environmental protection



The packaging material can be recycled. Please do not throw the packaging material into household waste; please send it for recycling.



Old appliances contain valuable materials that can be recycled; these should be sent for recycling. Batteries, oil, and similar substances must not enter the environment. Please dispose of your old appliances using appropriate collection systems.

Symbols in the operating instructions

Danger

Immediate danger that can cause severe injury or even death.

Warning

Possible hazardous situation that could lead to severe injury or even death.

Caution

Possible hazardous situation that could lead to mild injury to persons or damage to property.

Proper use

- The machine is designed for generating steam and vacuum cleaning liquids and solid substances according to the description in this Operating Instructions Manual.
- This appliance is suitable for commercial use.

Safety Devices

Safety devices serve for the protection of the user and must not be put out of operation or bypassed with respect to their function.

Pressure controller

The pressure controller keeps the boiler pressure during the operation as constant as possible. The heating is turned off if the maximum operating pressure of 4 bar is reached in the boiler and is reactivated in case of a pressure drop in the boiler due to steam tapping.

Water shortage thermostat

When the water in the boiler becomes exhausted, the temperature of the heating increases. The low-water thermostat turns off the heating, and the red low-water indicator lamp "water shortage" lights up. The heating is prevented from being turned on again until the boiler has cooled down or been refilled with water.

Safety thermostat

- If the low-water thermostat fails and the appliance overheats, the safety thermostat turns off the steam cleaner.
- Please contact your local Tornado customer service to arrange for the reset of the safety thermostat.

Safety lock

- The safety lock seals the boiler against the steam pressure that builds up in the boiler. If the pressure controller is defective and the steam pressure in the boiler rises above 5.7 bar, a pressure control valve in the safety lock opens, and steam is emitted through the lock to the outside.
- Please contact your local Tornado customer service before you put the appliance into operation again.

Notes on the operation

Refreshing textiles

Prior to treatment with the steam cleaner, always check the reaction of the textiles in an inconspicuous location: Steam at first, then let dry and then check for colour or shape changes.

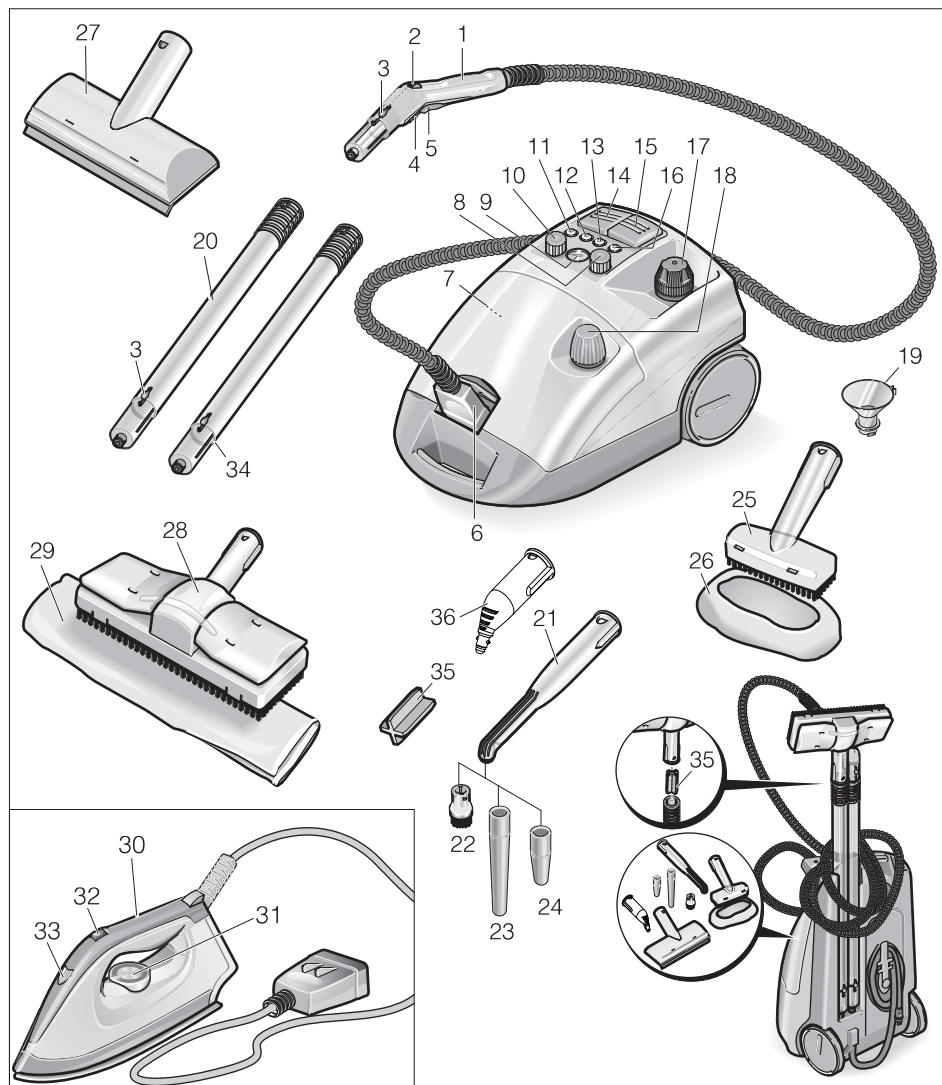
Cleaning of Coated or Lacquered Surfaces

When cleaning painted or plastic-coated surfaces, as found on kitchen and living room furniture, doors, parquet; wax, furniture polish, plastic surfaces or paint can come loose or stains can be created. When cleaning these surfaces, briefly steam a cloth and wipe the surfaces with it.

Cleaning of Glass

In case of low outside temperatures, especially in the winter, warm up the window pane by slightly steaming the entire glass surface. This will prevent tensions on the surface which might lead to glass breakage.

Device elements



- 1 Steam gun
- 2 Handwheel for steam quantity controller
- 3 Unlocking button
- 4 Lock (child-proof lock)
- 5 Steam switch
- 6 Steam plug
- 7 Reset key - Descaling

- 8 Rotary knob for VAPOHYDRO regulation
- 9 Temperature display
- 10 Rotary knob for steam quantity controller
- 11 Indicator lamp - Descaling (white)
- 12 Indicator lamp "water shortage additional tank" (red)

- 13 Indicator lamp - heating (yellow)
- 14 Switch - heating (ON/OFF)
- 15 Switch - steam supply
- 16 Indicator lamp - water shortage steam boiler (red)
- 17 Safety lock
- 18 Container closure
- 19 Funnel inlet
- 20 Extension tubes (two tubes)
- 21 Detail nozzle (7.1 in/180 mm)
- 22 Round brush
- 23 Extension piece
- 24 Power nozzle (red)
- 25 Hand nozzle
- 26 Terry cloth cover
- 27 Window nozzle (option)
- 28 Floor nozzle
- 29 Terry floor cloth
- 30 Iron (option)
- 31 Temperature controller
- 32 Switch - steam ironing
- 33 Indicator lamp - steam iron heating
- 34 Support of extension pipe
- 35 Floor nozzle holder
- 36 Detail nozzle (4.7 in/120 mm)

Start up

Attaching the Accessories

- Tightly insert the steam plug into the appliance. The pins of the plug must lock into the cover of the appliance connector.
- Connect the required accessories (floor nozzle, hand nozzle or detail nozzle) to the steam gun. Slide the parts together until the locking button locks into the steam gun.
- Use the extension pipes if necessary. Slide the parts together until the respective locking button locks into place.
- Press down on the locking knob to separate the accessories.

Fill up with water

- Remove the safety cap from the device.
- Fill the boiler with a maximum of 0.5 gal (2 liters) of fresh tap water using the filling funnel. You can cut down the heating-up time by using warm water.

Note

The boiler can be filled up to 0.8 in (2 cm) below the edge of the filler neck if the appliance is in horizontal position.

⚠ Warning

Do not use detergent.

- Screw the safety cap back onto the device.

Additional tank

The additional tank can be filled if the work will last for an extended period of time.

- Unscrew the container lid from the additional tank.
- Fill the additional tank with a maximum of 0.5 gal (2 liters) of fresh tap water using the filling funnel.
- Screw the container lid onto the additional tank.

Operation

Temperature display

The temperature display shows whether the operation is taking place in the correct temperature range (green range).

Turning on the Appliance

- Insert the mains plug into the socket.
- Switch on the appliance by means of the switch for steam supply and the heating switch. The indicator lamps illuminate.

Note

The full heating performance is only available if the steam plug is connected to the appliance during the heating-up period.

Once the indicator lamp "heating" has gone out, the system is ready for use.

Note

Do not place the appliance into an upright position while it is running. Otherwise, the heating will turn off automatically after a brief period and the indicator lamp "water shortage" will illuminate in red.

- ➔ Switch the heating off by means of the switch while the appliance is being transported.
- ➔ Actuate the steam switch, steam will escape. Always direct the steam gun at a separate piece of cloth until the steam is emitted evenly.
- The heating of the steam cleaner is turned on during operation of the appliance (indicator lamp glows yellow) in order to maintain the pressure in the boiler at a constant level.
- If the device is switched on without water, initially, the indicator lamp "heating" will glow yellow until the water shortage thermostat switches the heating off. After that, the indicator lamp "water shortage" glows red.

steam quantity controller via rotary knob on the appliance

- ➔ Regulate the steam volume during work with standard accessories or with the iron via the rotary knob on the appliance.

Steam quantity controller via handwheel on the steam gun

- ➔ Regulate the steam volume during work with standard accessories via the handwheel on the steam gun. The rotary knob on the appliance becomes inactive.

Note

If the handwheel is set to a small quantity of steam, steam may continue to be emitted after the steam switch has been released until the pressure in the steam hose has been reduced. This pressure can be relieved even faster by briefly setting the steam value regulation to a large volume.

VAPOHYDRO regulation with rotary knob

- In wet areas, you can also wash away the dirt instead of absorbing it with the cloth. For this, set the moisture of the steam to regulate via VAPOHYDRO regulation by means of the rotary knob. The higher the humidity of the steam, i.e. the more water is contained in the steam jet, the higher the rinsing effect. If you turn the rotary knob toward "+" steam quantity, a hot water jet is emerged, and the highest rinsing effect is achieved.
- We recommend using the VAPOHYDRO in connection with the detail nozzle for cleaning the bathroom.
- VAPOHYDRO regulation when working with cloths (floor nozzle, hand nozzle) with the rotary knob all the way to "-" in order to have as little moisture in the steam jet as possible. The dirt loosening power of the steam is improved this way.

Note

If you turn the rotary knob for the VAPOHYDRO regulation to "+", the boiler is emptied more quickly.

Refilling Water

Note

Once the water in the additional tank is used up, there will be a signal emitted and the indicator lamp for "water shortage in additional tank" illuminates red.

- ➔ Fill the additional tank with a maximum of 0.5 gal (2 liters) of fresh tap water using the filling funnel.

Once the indicator lamp "heating" has gone out, the system is ready for use.

Note

If the pump does not produce any water in spite of the full additional tank, the boiler must be descaled.

Removing the Accessories

⚠ Danger

Hot water may drip out of the accessory parts while you are detaching them! Never detach accessory parts while steam streams out - risk of scalding!

Turning Off the Appliance

- ➔ Switch the appliance off at the switches.
- ➔ Lift the cover of the appliance connector and disconnect the steam plug from the appliance.
- ➔ Disconnect the mains plug from the socket.

Note

You can leave the residual water in the appliance.

How to Use the Accessories

Steam gun

Application examples for use of the steam gun without accessories:

- to remove odours and wrinkles from hanging clothes by steaming them at a distance of 3.9 to 7.9 in (10 to 20 cm).
- to remove dust from plants. Here, keep a distance of 7.9-15.7 in (20-40 cm).
- for moist dusting, by briefly steaming the cloth and wiping the furniture with it.

Detail nozzle

- The closer you hold the nozzle to the dirty spot, the higher the cleaning effect as temperature and pressure of the steam reach their maximum values immediately when they are emitted from the nozzle.
- The detail nozzle with the different attachment is suited for cleaning difficult to access points, such as corners, grooves, etc. as well as blinds, central heaters, toilets, stainless steel, mirrors, mirrors, fixtures, coated and enameled surfaces, loosening of stains.

- The power nozzle increases the emission speed of the steam. Therefore, it is well-suited for cleaning very tough dirt, blowing out corners, grooves, etc.

Note

The round brush is not suited for the cleaning of delicate surfaces.

Floor nozzle

- Suited for all washable wall and floor coverings, e.g. stone floors, tiles and PVC floors. Work slowly on very dirty surfaces to allow the steam to act on the dirt for a longer period of time.
- Flip and replace floor cloth regularly to improve the dirt pickup.

Note

Detergent residue or care emulsions that are still present on the surfaces to be cleaned, can lead to smears when steam cleaned. However, these will disappear with repeated cleaning procedures.

➔ Attach the floor cloth to the floor nozzle.

- 1 Fold the floor cloth the long way and place the floor nozzle on top of it.
- 2 Open holding clamps.
- 3 Place the cloth ends into the openings.
- 4 Close the holding clamps.

⚠ Warning

Do not insert fingers between the clamps.

Hand nozzle

Suited for small washable areas, shower stalls, mirrors or furniture cloth material.

➔ Pull the terry cloth cover over the manual nozzle.

Iron (option)

Order no. 6.959-262.0

➔ Connect the steam plug of the iron to the appliance.

Steam ironing

- VAPOHYDRO regulation with rotary knob, turn all the way to "-".
- Set the temperature controller at least to 3 for ironing all types of fabrics. The emitted steam prevents the fabric from becoming overheated.

Once the indicator lamp on the iron has gone out, the system is ready for use.

Note

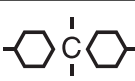


The higher the temperature setting, the dryer and more invisible the steam; however, the steam volume remains the same.

- Push the switch for steam ironing to the front: Steam will escape continuously.
- Push the switch for steam ironing to the rear: Steam push emitted.
- First, direct the steam gun at a separate piece of cloth until no more water is emitted.
- Set the steam quantity controller on the appliance to the desired quantity of steam.

You can hold the iron in an upright position to apply steam to curtains, dresses, etc.

Dry ironing

- Ironing without steam: Switch on the appliance and switch off the the heating switch.
- Set the temperature controller on the iron to the desired fabric.

Man-made fibre	Wool	Linen
		

Window nozzle (option)

Order no. 4.130-145.0

- Apply steam to the glass surface from a distance of approximately 7.9 in (20 cm) until the surface is moistened evenly.
- Switch off the steam supply.

- Strip the glass surface in straight lines from the top to the bottom using the rubber lip.
- Wipe the rubber lip and the bottom edge of the window dry after each strip.

Wallpaper remover (optional)

Order no. 2.863-076.0

You can use the wallpaper remover with the steam cleaner to remove wallpapers.

- Apply wallpaper remover to the edge of a wallpaper length and let the steam settle in until the wallpaper is fully moistened (approx. 10 seconds).
- Reset wallpaper remover without switching off. Lift the soaked piece of wallpaper using a flat trowel, and pull it off the wall.

In case of woodchip wallpaper that has been painted several times, the steam may not be able to soak the wallpaper. If this happens, you need to prepare accordingly with a nail roller.

Transport

Caution

Risk of injury and damage! Observe the weight of the appliance when you transport it.

Transporting the device

When working with extension pipes and the floor nozzle the appliance can be transported easily, e.g. up and down steps.

- Switch off the heating at the switch.
- Place the appliance vertically.
- Hook the extension pipe with the holder to the bottom side of the appliance.

Storage

Caution

Risk of injury and damage! Note the weight of the appliance in case of storage.

This appliance must only be stored in interior rooms.

Storing the Appliance

- Place the manual nozzle, detail nozzles and small parts into the accessories storage box.
- Wrap the cable around the holder on the floor of the appliance. Insert the extension pipes individually into the recesses on the appliance floor.

Note

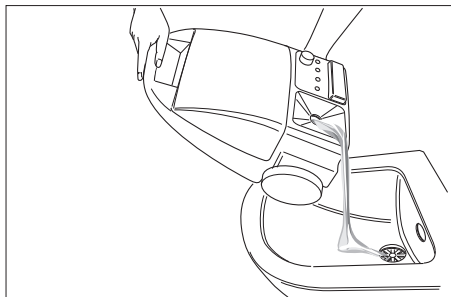
Always allow the brushes to cool down for a sufficient period of time to avoid a deformation of the bristles.

Maintenance and care

⚠ Danger

Always disconnect the mains plug and allow the steam cleaner to cool down before performing any maintenance work.

Rinsing the boiler



Rinse the boiler of the steam cleaner boiler at the latest after 5 boiler fillings.

- Fill the boiler with water and shake it strongly. This dissolves lime scaling residing on the boiler bottom.
- Empty water out.

Descaling the boiler

Note

If you always use usual commercial distilled water it is not necessary to descale the boiler.

⚠ Warning

Only use products approved by Tornado to exclude any damages of the appliance.

- Disconnect the mains plug from the socket.
- Completely empty the steam boiler.
- Completely dissolve two bags of descaler by stirring it in 0.5 gal (2 liters) of warm water.
- Fill the descaling solution into the boiler and allow to react for approximately 8 hours.

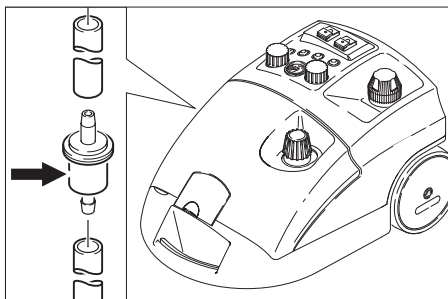
⚠ Danger

Do not screw the steam boiler safety cap on the appliance during the descaling. Do not use the appliance as long as there is descaling agent in the boiler.

- Pour out the descaling solution. Rinse the boiler at least two more times with cold water to ensure that there is no residue left behind in the boiler.
- Turn on the appliance.
- Press the reset key until the indicator lamp "Descaling" goes off.

The appliance is ready for use again. After approx. 50 operating hours, the indicator lamp "Descaling" shows the next necessary descaling process.

Filter replacement



Using soiled water can occlude the filter. This is shown by extraordinarily long run times of the pump or a complete malfunction.

- Replac the filter.

Troubleshooting

⚠ Danger

Always disconnect the mains plug and allow the steam cleaner to cool down before performing any maintenance work.

⚠ Danger

Repair works may only be performed by the authorized customer service.

Indicator lamp "water shortage" glows red

→ Refill water.

Indicator lamp "Descaling" glows white

→ Decalcify appliance.

Warranty

The warranty terms published by our competent sales company are applicable in each country. We will repair potential failures of your accessory within the warranty period free of charge, provided that such failure is caused by faulty material or defects in fabrication. In the event of a warranty claim please contact your dealer or the nearest authorized Customer Service center. Please submit the proof of purchase.

Accessories and Spare Parts

- Only use accessories and spare parts which have been approved by the manufacturer. The exclusive use of original accessories and original spare parts ensures that the appliance can be operated safely and trouble free.
- At the end of the operating instructions you will find a selected list of spare parts that are often required.
- For additional information about spare parts, please go to the Service section at www.tornadovac.com.

Special accessories

Only use special accessories approved by the manufacturer.

Name	Part no.:
Caddy cart	6.962-239.0
Round brush kit with brass bristles	2.863-075.0
Round brush kit	2.863-077.0
Micro fibre cloth	6.905-921.0

Technical specifications

Electrical connection		
Current type	--	1~
Frequency	Hz	60
Voltage	V	120
Voltage in the handle	V	24
Mains cable	Order no.	6.647-791.0
Performance data		
Rated current	A	12
Rated current, Pump	A	0.3
Max. operating pressure	psi (MPa)	47 (0.32)
Permitted operating pressure	psi (MPa)	73 (0.57)
Heating time per litre of water	min	ca. 5.5
Max. steam quantity	oz/min (g/min)	2.6 (75)
Dimensions and weights		
Weight without accessories	lbs (kg)	17.6 (8.0)
Max. water capacity	gal (l)	1.06 (4.0)
Tank content	gal (l)	0.53 (2.0)
Boiler capacity	gal (l)	0.63 (2.4)
Length	in (mm)	19.0 (480)
Width	in (mm)	12.0 (305)
Height	in (mm)	10.5 (265)

CONSIGNES DE SÉCURITÉ IMPORTANTES

OBSERVEZ LES POINTS SUIVANTS AVANT LA MISE EN SERVICE DE L'AP- PAREIL

- En cas de dommages dus au transport, veuillez en informer immédiatement votre revendeur.
- Sortir tous les accessoires du carton.
- Ne brancher le nettoyeur à vapeur qu'à une prise de courant de sécurité conforme. Fusible nécessaire, voir les caractéristiques techniques.
- Brancher uniquement sur une prise correctement reliée à la terre. Voir les instructions de mise à terre.

Lorsque vous utilisez un appareil électrique, vous devez prendre certaines précautions de base, dont la suivante: Cet nettoyeur à vapeur est conçu pour l'usage professionnel.

- 1 DÉBRANCHER LE NETTOYEUR À VAPEUR avant d'enlever le couvercle, d'effectuer tout entretien et lorsqu'il n'est pas utilisé.
- 2 Ne laissez pas l'appareil sans surveillance tant qu'il est branché.
- 3 TOUJOURS VÉRIFIER QUE LE CORDON D'ALIMENTATION n'est ni vieilli, ni abîmé, avant chaque usage.
- 4 NE PAS TRANSPORTER LE NETTOYEUR À VAPEUR OU LE TIRER PAR LE CORDON. Ne pas fermer de portes sur le cordon ou faire passer celui-ci sur des bords tranchants.
- 5 NE PAS METTRE LE CORDON À LA CHALEUR OU DANS DE L'HUILE. Ne pas laisser le cordon traîner par terre après la fin du travail. Il pourrait provoquer une chute.
- 6 NE PAS PASSER LE NETTOYEUR À VAPEUR SUR LE CORDON.
- 7 METTRE L'INTERRUPTEUR SUR avant de débrancher l'appareil.

- 8 NE PASTIRER SUR LE CORDON POUR DÉBRANCHER l'appareil. Tirer sur la prise.
- 9 NE PAS SAISIR LA PRISE AVEC DES MAINS MOUILLÉES.
- 10 SI LE CORDON OU LA PRISE EST ABÎMÉ, le faire remplacer par un agent d'un centre de service agréé uniquement. NE PAS ESSAYER DE RÉPARER SOI-MÊME.
- 11 POUR ÉVITER TOUT CHOC ÉLECTRIQUE, ne pas laisser l'appareil sous la pluie. Le stocker à l'intérieur.
- 12 N'UTILISER L'APPAREIL QUE COMME IL EST CONSEILLÉ DANS CE MODE D'EMPLOI. Utiliser exclusivement les accessoires recommandés.
- 13 ÉLOIGNER LES CHEVEUX, LES VÊTEMENTS, LES BIJOUX FLOTTANTS, LES DOIGTS et toutes les parties du corps des ouvertures et des pièces mobiles.
- 14 NE PAS FERMER OU OBSTRUER LES OUVERTURES. Enlever les peluches, cheveux, poussières et tout ce qui pourrait gêner le passage de l'air.
- 15 NE BRANCHER LE NETTOYEUR À VAPEUR QUE SUR UNE PRISE PROPREMENT RELIÉE À LA TERRE. Voir les consignes de raccordement à la terre.
- 16 INTERDIRE DE JOUER AVEC LE NETTOYEUR À VAPEUR. En tenir les enfants éloignés.
- 17 NE PAS LAISSER LE NETTOYEUR À VAPEUR SANS SURVEILLANCE pendant le fonctionnement.
- 18 NE PAS L'UTILISER SI LE CORDON, LA PRISE, LE FILTRE OU LE NETTOYEUR À VAPEUR EST EN MAUVAIS ÉTAT. Si le nettoyeur à vapeur est tombé, a été abîmé, a été exposé, aux intempéries ou est tombé dans de l'eau, le faire vérifier par un agent de service.
- 19 TOUJOURS PORTER UNE PROTECTION OCULAIRE lors de l'utilisation de le nettoyeur à vapeur.

- 20 REDOUBLER DE PRUDENCE pour l'utilisation dans un escalier.
- 21 RESTER VIGILANT! Ne pas utiliser le nettoyeur à vapeur quand on est fatigué ou après avoir pris de la drogue, de l'alcool ou des médicaments.

CONSERVER CES CONSIGNES

Cet nettoyeur à vapeur est conçu pour l'usage professionnel.

CONSIGNES DE SÉCURITÉ

INSTRUCTIONS DE MISE À LA TERRE

- Cet appareil doit être connecté à la terre. En cas de dysfonctionnement ou de panne, la mise à la terre fournit un chemin de moindre résistance pour le courant électrique pour réduire le risque de choc électrique.
- Cet appareil est équipé d'un câble doté d'un équipement conducteur de terre et d'une prise de terre.
- La fiche doit être branchée dans une prise électrique qui est correctement installée et raccordée à la terre en conformité avec les réglementations et directives locales.

AVERTISSEMENT :

- Une connexion incorrecte du conducteur de terre de l'équipement peut avoir pour résultat un risque de choc électrique.
- Contrôler avec un électricien qualifié ou un technicien de service si vous avez des doutes relatifs à la mise à la terre correcte de la prise.
- Ne pas modifier la fiche fournie avec l'appareil.
- Si la fiche ne rentre pas dans la prise, faites installer une prise appropriée par un électricien qualifié.
- Cet appareil est destiné à une utilisation sur un circuit 120 V nominaux, et est équipé d'une prise de terre qui ressemble à la prise illustrée dans la fig. A.
- Un adaptateur temporaire qui ressemble à l'adaptateur illustré dans la fig. B peut être utilisé pour connecter cette fiche au réceptacle deux pôles comme indiqué dans la fig. B si une prise correctement reliée à la terre n'est pas disponible.
- L'adaptateur temporaire doit être utilisé uniquement jusqu'à ce qu'une prise correctement reliée à la terre (fig. A) soit installée par un électricien qualifié.
- L'oreille rigide de couleur verte, la lame ou l'équivalent étendu depuis l'adaptateur doit être connecté à une terre permanente comme un couvercle de prise relié correctement à la terre.
- Quel que soit l'endroit où l'adaptateur est utilisé, il doit être maintenu en place par une vis métallique.

DANS TOUS LES CAS, S'ASSURER QUE LE RECEPTACLE EN QUESTION EST CORRECTEMENT RELIE A LA TERRE.

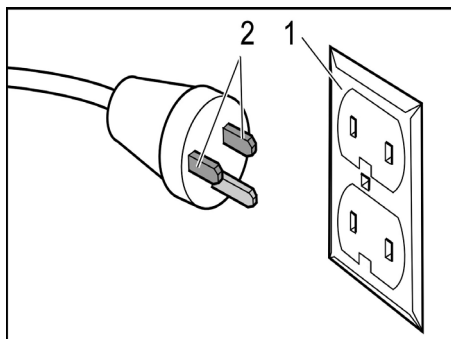
NE JAMAIS RETIRER LA LANGUETTE DE CONTACT DE TERRE DE LA FICHE ELECTRIQUE.

RALLONGES

Utiliser uniquement des câbles de rallonge à trois fils équipés de fiches à mise à la terre à trois languettes et des réceptacles à trois pôles qui acceptent la fiche de l'appareil. Remplacer le câble endommagé ou usé immédiatement.

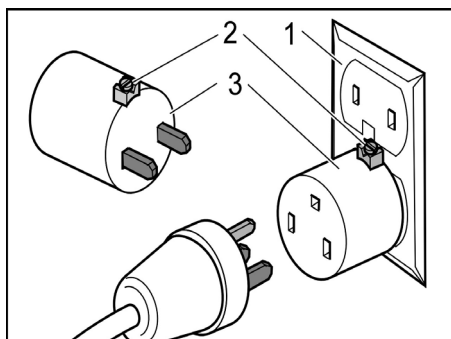
NE PAS TENTER DE REPARER UN CABLE D'ALIMENTATION.

Figure A



- 1 Socle de prise de courant
 - 2 Languettes conduisant le courant
- La languette de terre est la plus longue.

Figure B



- 1 Socle de prise de courant
- 2 Moyens de mise à la terre

3 Adapteur

Note : au Canada, l'utilisation d'un adaptateur temporaire n'est pas autorisée par le Code Electrique Canadien.

Entretien des appareils à double-isolation

Dans un appareil à double isolation, deux isolations distinctes remplacent la mise à la terre. L'appareil à double isolation n'est pourvu d'aucun dispositif de mise à la terre et un tel dispositif ne doit pas être ajouté. L'entretien d'un appareil à double isolation demande beaucoup de soins ainsi qu'une bonne connaissance du système et net devrait être effectué que par un technicien d'entretien qualifié. Les pièces de rechange d'un appareil à double isolation doivent être identiques aux pièces originales.



Lire ces notice originale avant la première utilisation de votre appareil, se comporter selon ce qu'elles requièrent et les conserver pour une utilisation ultérieure ou pour le propriétaire futur.

- Avant la première mise en service, vous devez impérativement avoir lu les consignes de sécurité N° 5.956-345 !
- En cas de non-respect des instructions de service et des consignes de sécurité, l'appareil risque de subir des dommages matériel et l'utilisateur ainsi que toute tierce personne sont exposés à des dangers potentiels.
- Contactez immédiatement le revendeur en cas d'avarie de transport.

Table des matières

Protection de l'environnement	FR ...1
Symboles utilisés dans le mode d'emploi	FR ...1
Utilisation conforme	FR ...1
Dispositifs de sécurité	FR ..2
Instructions pour l'utilisation	FR ..2
Éléments de l'appareil	FR ..3
Mise en service	FR ..4
Utilisation	FR ..4
Utilisation des accessoires.	FR ..6
Transport	FR ..8
Entreposage.	FR ..8
Entretien et maintenance ..	FR ..8
Assistance en cas de panne	FR ..9
Garantie	FR ..9
Accessoires et pièces de rechange	FR ..10
Caractéristiques techniques	FR ..11

Protection de l'environnement



Les matériaux constitutifs de l'emballage sont recyclables. Ne pas jeter les emballages dans les ordures ménagères, mais les remettre à un système de recyclage.



Les appareils usés contiennent des matériaux précieux recyclables lesquels doivent être apportés à un système de recyclage. Il est interdit de jeter les batteries, l'huile et les substances similaires dans l'environnement. Pour cette raison, utiliser des systèmes de collecte adéquats afin d'éliminer les appareils hors d'usage.

Symboles utilisés dans le mode d'emploi

Danger

Pour un danger immédiat qui peut avoir pour conséquence la mort ou des blessures corporelles graves.

Avertissement

Pour une situation potentiellement dangereuse qui peut avoir pour conséquence des blessures corporelles graves ou la mort.

Attention

Pour une situation potentiellement dangereuse qui peut avoir pour conséquence des blessures légères ou des dommages matériels.

Utilisation conforme

- L'appareil est destiné au nettoyage avec de la vapeur et peut être utilisé avec les accessoires appropriés de la manière décrite dans ces instructions de service.
- Cet appareil est approprié pour une utilisation industrielle.

Dispositifs de sécurité

Les dispositifs de sécurité ont pour but de protéger l'utilisateur. Par conséquent, ils ne doivent en aucun cas être désactivés ou transformés.

Régulateur de pression

Le manostat est chargé de conserver la pression de la chaudière à un niveau aussi constant que possible durant le fonctionnement. Lorsque la pression de service maximale admissible est atteinte dans la chaudière, le chauffage est désactivé. Il se remet en marche en cas de chute de pression provoquée par une prise de vapeur.

Thermostat de manque d'eau

La température augmente lorsque la quantité d'eau dans la chaudière diminue. Le thermostat de manque d'eau désactive le chauffage et le témoin de contrôle rouge "Manque d'eau" s'allume. La réactivation du chauffage est bloquée jusqu'à ce que la chaudière soit refroidie ou de nouveau remplie.

Thermostat de sécurité

- Si l'appareil surchauffe suite à une panne du thermostat d'absence d'eau, le thermostat de sécurité met l'appareil hors marche.
- S'adresser au service après-vente Tornado responsable pour réinitialiser le thermostat de sécurité.

Fermeture de sécurité

- La fermeture de sécurité empêche la vapeur de s'échapper de la chaudière. Si le manostat est défectueux et si la pression de la vapeur dans la chaudière est excessive, une soupape de sûreté située dans la fermeture de sécurité s'ouvre permettant ainsi à la vapeur de s'échapper.
- Avant de remettre l'appareil en service, s'adresser au service après-vente Tornado responsable.

Instructions pour l'utilisation

Rafrâichissement des textiles

Avant le traitement avec le nettoyeur à vapeur, toujours contrôler la compatibilité des textiles à un endroit discret : d'abord appliquer de la vapeur, puis laisser sécher et enfin contrôler les modifications de couleur ou de forme.

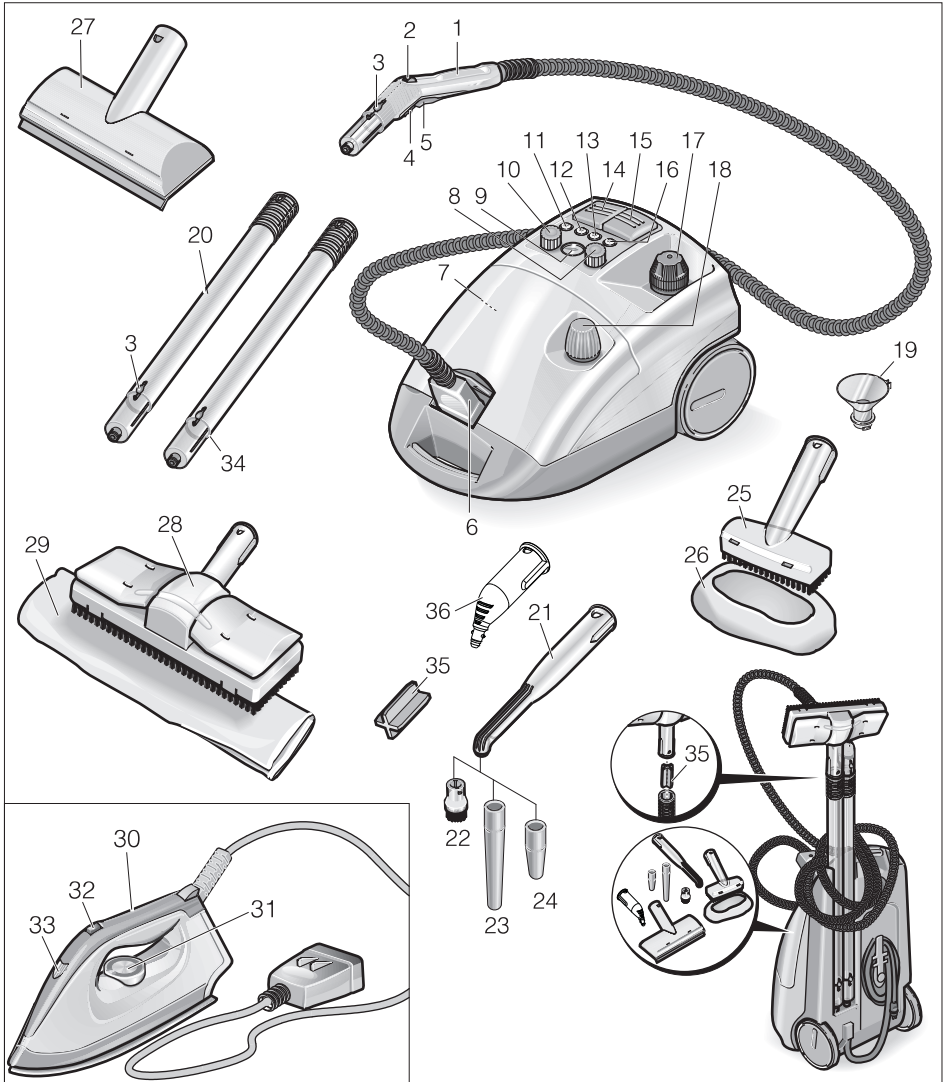
Nettoyage de surfaces enduites ou vernies

Lors du nettoyage des surfaces peintes ou à revêtement plastique, comme par exemple les meubles de cuisine et de salle de séjour, les portes, les parquets, la cire, le poli des meubles, les revêtements plastiques ou la couleur peuvent se détacher ou des tâches peuvent se former. Pour nettoyer ces surfaces, mettre un peu de vapeur sur un chiffon puis nettoyer les surfaces.

Nettoyage de surfaces vitrées

Lorsque les températures sont basses, avant tout en hiver, chauffer les vitres en appliquant légèrement de la vapeur sur la surface de verre totale. Les tensions sur la surface qui pourraient entraîner un bris sont ainsi évitées.

Éléments de l'appareil



- | | |
|---|---|
| <p>1 Pistolet à vapeur
 2 Manivelle pour la régulation de la quantité de vapeur
 3 Touche de déverrouillage
 4 Verrouillage (sécurité-enfants)
 5 Interrupteur de vapeur
 6 Connecteur vapeur
 7 Bouton à rappel - détartrage</p> | <p>8 Bouton rotatif pour la régulation VAPO-HYDRO
 9 Affichage de la température
 10 Bouton rotatif pour la régulation de quantité de vapeur
 11 Lampe témoin - détartrage (blanc)
 12 Lampe témoin - Manque d'eau réservoir supplémentaire (rouge)</p> |
|---|---|

- 13 Lampe témoin – chauffage (jaune)
- 14 Interrupteur - chauffage (Marche/Arrêt)
- 15 Interrupteur - alimentation de vapeur
- 16 Lampe témoin - Manque d'eau ballon de vapeur (rouge)
- 17 Fermeture de sécurité
- 18 Dispositif de verrouillage de la cuve
- 19 Entonnoir de remplissage
- 20 Tubes de rallonge (2 pièces)
- 21 Buse à jet crayon (7.1 in/180 mm)
- 22 Brosse ronde
- 23 Rallonge
- 24 Brosse de puissance (rouge)
- 25 Buse manuelle
- 26 Housse en tissu éponge
- 27 Buse à fenêtre (accessoires spéciaux)
- 28 Buse pour sol
- 29 Chiffon de sol
- 30 Fer à repasser (accessoires spéciaux)
- 31 Thermostat
- 32 Interrupteur - repassage à la vapeur
- 33 Témoin de contrôle - chauffage du fer à repasser
- 34 Support tube de rallonge
- 35 Support pour buse de sol
- 36 Buse à jet crayon (4.7 in/120 mm)

Mise en service

Montage des accessoires

- Enfiler fermement le connecteur de vapeur dans l'appareil. Les crans du connecteur doivent au cours de cette opération s'enclencher dans le couvercle de la prise d'appareil.
- Connecter l'élément accessoire (buse de sol, buse manuel ou buse de jet à point) avec le pistolet de vapeur. Enfoncer les pièces les unes dans les autres jusqu'à ce que le bouton de verrouillage sur le pistolet de vapeur s'enclenche.
- Utiliser les tubes de rallonge en cas de besoin. Enfoncer les pièces les unes dans les autres jusqu'à ce que la tête de verrouillage respective d'enclenche.

- Appuyer sur la tête de verrouillage pour séparer les pièces accessoires.

Remplissage de l'eau

- Dévisser la fermeture de sécurité de l'appareil.
- Remplir la chaudière d'au maximum 0.5 gal (2 litres) d'eau du robinet fraîche au moyen de l'entonnoir de remplissage. Vous pouvez raccourcir la durée de chauffage en remplissant de l'eau chaude.

Remarque

Remplir la chaudière jusqu'à 0.8 in (2 cm) en dessous du bord de la tubulure de remplissage avec l'appareil à l'arrêt et horizontal.

⚠ Avertissement

Ne pas utiliser de détergent.

- Revisser correctement la fermeture de sécurité sur l'appareil.

Réservoir supplémentaire

Il est possible de remplir en supplément le réservoir supplémentaire pour prolonger la durée de travail.

- Dévisser la fermeture du réservoir supplémentaire.
- Remplir le réservoir supplémentaire d'au maximum 0.5 gal (2 litres) d'eau du robinet fraîche au moyen de l'entonnoir de remplissage.
- Visser la fermeture sur le réservoir supplémentaire.

Utilisation

Affichage de la température

L'affichage de la température indique si le travail est effectué dans la plage de température correcte (zone verte).

Mise sous tension de l'appareil

- Brancher la fiche secteur dans une prise de courant.
- Mettre l'appareil en service avec le commutateur pour l'alimentation en vapeur avec le commutateur pour le chauffage. Les lampes témoin sont allumées.

Remarque

Afin de pouvoir profiter de toute la puissance de chauffage le connecteur de vapeur doit être raccordé à l'appareil durant le temps de chauffage.

Le système est opérationnel dès que la lampe témoin "Chauffage" s'éteint.

Remarque

Ne pas mettre l'appareil à la verticale lorsqu'il est en service. Le chauffage se coupe dans le cas contraire automatique après une courte durée et la lampe témoin "Manque d'eau" est allumée en rouge.

- ➔ Couper le chauffage avec l'interrupteur pour transporter l'appareil.
- ➔ Actionner l'interrupteur de vapeur, de la vapeur sort. Diriger toujours le pistolet à vapeur d'abord sur un chiffon jusqu'à ce que la vapeur s'échappe régulièrement.
- Le chauffage se remet régulièrement en service en cours d'utilisation (lampe témoin allumée en jaune) pour maintenir la pression dans la chaudière.
- Si l'appareil est mis en service sans eau, la lampe témoin "Chauffage" est allumée en jaune jusqu'à ce que le thermostat de manque d'eau coupe la chaudière. La lampe témoin "Manque d'eau" est ensuite allumée en rouge.

Régulation de la quantité de vapeur avec un bouton rotatif sur l'appareil.

- ➔ Réguler la quantité de vapeur pour le travail avec les accessoires standards ou le fer à repasser au moyen du bouton rotatif sur l'appareil.

Régulation de la quantité de vapeur avec la manivelle sur le pistolet de vapeur.

- ➔ Réguler la quantité de vapeur pour le travail avec des accessoires spéciaux au moyen de la molette sur le pistolet de vapeur. Le bouton rotatif sur l'appareil est alors inactif.

Remarque

Si la molette est ajustée pour un faible débit de vapeur et que vous relâchez la gâchette à vapeur, de la vapeur peut éventuellement encore s'échapper pour un court instant jusqu'à réduction complète de la pression dans le flexible à vapeur. Dieser Druck kann auch schneller abgebaut werden, indem die Dampfmengenregulierung kurzzeitig auf große Menge gestellt wird.

Régulation VAPOHYDRO avec bouton rotatif

- Dans le domaine Vapeur humide, il est également possible de rincer les saletés au lieu de les absorber avec un chiffon. Réguler pour cela l'humidité de la vapeur avec le bouton rotatif pour la régulation VAPOHYDRO. Une humidité de vapeur plus élevée, donc plus d'eau dans le jet de vapeur, permet d'obtenir un rinçage plus efficace. Si le bouton rotatif est tourné totalement vers "+", il sort un jet d'eau chaud, ce qui représente le summum de l'efficacité de rinçage.
- Il est recommandé d'utiliser le VAPOHYDRO par ex. en liaison avec la buse à jet en point pour le nettoyage du bain.
- Régler la régulation VAPOHYDRO sur "-" avec le bouton rotatif lors du travail avec des chiffons (buse de sol, buse manuelle) pour avoir aussi peu d'humidité que possible dans le jet de vapeur. La force de décollage de l'encrassement de la vapeur est ainsi améliorée.

Remarque

Si le bouton rotatif pour la régulation VAPOHYDRO est tourné sur "+", la chaudière se vide plus rapidement.

Appoint en eau

Remarque

Une fois l'eau dans le réservoir supplémentaire utilisée, un signal retentit et la lampe témoin "Manque d'eau réservoir supplémentaire" est allumée en rouge.

- Remplir le réservoir supplémentaire d'au maximum 0.5 gal (2 litres) d'eau du robinet fraîche au moyen de l'entonnoir de remplissage.

Le système est opérationnel dès que la lampe témoin "Chauffage" s'éteint.

Remarque

Si la pompe ne débite pas d'eau bien que le réservoir supplémentaire soit plein, la chaudière doit être détartrée.

Démontage des accessoires

⚠ Danger

De l'eau très chaude risque de s'égoutter lors du déboîtement des accessoires ! Ne jamais démonter les accessoires tandis que de la vapeur se dégage ! Risque de brûlure !

Mise hors tension de l'appareil

- Couper l'appareil au niveau des interrupteurs.
- Soulever le couvercle de la prise de l'appareil et sortir le connecteur de vapeur de l'appareil.
- Retirer la fiche secteur de la prise de courant.

Remarque

L'eau résiduelle peut rester dans l'appareil.

Utilisation des accessoires

Pistolet à vapeur

Exemples d'application pour le pistolet à vapeur sans accessoires :

- pour éliminer les odeurs et les plis de vêtements accrochés en appliquant de la vapeur à une distance d'environ 3.9 à 7.9 in (10 à 20 cm).
- pour le dépoussiérage de plantes. Maintenir dans ce cas un écart de 7.9 à 15.7 in (20 à 40 cm).
- pour le dépoussiérage humide en imbibant un chiffon de vapeur et en frottant avec sur les meubles.

Buse à jet crayon

- Plus la buse est proche de l'endroit à nettoyer, plus l'action nettoyante est efficace. En effet la température et la pression de la vapeur sont les plus élevées à la sortie.
- La buse à jet en point avec les diverses extensions est appropriée pour le nettoyage d'endroits difficilement accessibles comme par ex. les coins, les joints, etc., des volets, des chauffages centraux, des toilettes, de l'acier inoxydable, des fenêtres, des miroirs, des ferrures, des surfaces émaillées et revêtues et pour le détachage des tâches.
- La buse de puissance permet d'augmenter la vitesse d'émission de la vapeur. Elle est de ce fait bien adaptée au nettoyage de salissures particulièrement récalcitrantes, au soufflage de coins, de joints, etc.

Remarque

La brosse ronde ne convient pas au nettoyage des surfaces délicates.

Buse de base

- Appropriée pour tous les revêtements de sol et de mur lavables, par ex. sols de pierre, carrelages et sols en PVC. Travailler lentement sur des surfaces très sales afin que la vapeur puisse agir plus longtemps.
- Tourner et remplacer régulièrement la serpillière pour améliorer l'absorption des salissures.

Remarque

Les résidus de détergent ou les émulsions d'entretien qui se trouvent encore sur la surface à nettoyer peuvent provoquer la formation de stries lors du lavage à la vapeur qui disparaissent toutefois en cas d'applications multiples.

- Fixer le chiffon de sol sur la buse de sol.
 - 1 Plier le chiffon de sol dans le sens longitudinal et mettre la buse de sol dessus.
 - 2 Ouvrir les pinces de serrage.

- 3 Introduire les extrémités du chiffon dans les ouvertures.
- 4 Fermer les pinces de serrage.

⚠ Avertissement

Ne pas mettre les doigts dans les pinces de serrage.

Buse manuelle

Appropriée pour les petites surfaces lavables, les cabines de douche, les miroirs et les tissus d'ameublement.

- Enfiler la housse en tissu éponge sur la buse manuelle.

Fer à repasser (accessoires spéciaux)

Réf. 6.959-262.0

- Brancher le connecteur de vapeur du fer à repasser sur l'appareil.

Repassage à vapeur

- Mettre la régulation VAPOHYDRO sur "-." avec le bouton rotatif.
- Mettre le régulateur de température au moins sur le niveau 3 pour le repassage de tous les matériaux. La vapeur s'échappant permet alors d'éviter une surchauffe du tissu.

Le fer à repasser est prêt dès que la lampe témoin s'éteint.

Remarque

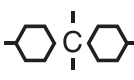


Plus le réglage de la température est élevé, plus la vapeur est sèche et invisible, la quantité de vapeur reste cependant la même.

- Pousser l'interrupteur pour le repassage à vapeur vers l'avant : La vapeur sort en permanence.
- Pousser l'interrupteur pour le repassage à vapeur vers l'arrière : la sortie de vapeur est interrompue.
- Orienter toute d'abord la vapeur vers un chiffon jusqu'à ce qu'il ne sorte plus d'eau.
- Tourner la régulation de quantité de vapeur sur l'appareil sur la quantité de vapeur souhaitée.

Il est aussi possible de tenir le fer à repasser verticalement pour projeter de la vapeur sur les rideaux, les vêtements, etc.

Repassage à sec

- Repasser sans vapeur : Mettre l'interrupteur pour l'alimentation en vapeur en service sur l'appareil et couper l'interrupteur pour le chauffage.
- Tourner le régulateur de température sur le fer à repasser sur le type de tissu désiré.

Fibres synthétiques	Coton	Lin
		

Buse à fenêtre (accessoires spéciaux)

Réf. 4.130-145.0

- Pulvériser uniformément la vapeur sur la surface de verre depuis une distance d'env. 7.9 in (20 cm).
- Couper l'alimentation en vapeur.
- Parcourir la surface de verre par voies du haut vers le bas avec la lèvres en caoutchouc.
- Assécher la lèvres en caoutchouc et le bord inférieur de la fenêtre après chaque voie.

Décolleuse de papier-peint (accessoires spéciaux)

Réf. 2.863-076.0

Avec cet accessoire, le nettoyeur à vapeur peut être utilisé pour décoller du papier peint.

- Appuyer la décolleuse de papier-peints sur une laie de papier sur toute la surface et laisser agir la vapeur jusqu'à ce que le papier-peint soit complètement imprégné (env. 10 secondes).
- Déplacer la décolleuse sans l'arrêter. Soulever le morceau de papier-peint décollé avec une spatule et le tirer du mur.

Sur du papier peint ingrain avec plusieurs couches de peinture, la vapeur risque de ne pas pouvoir pénétrer dans la tapisserie. Il est dans ce cas recommandé de procéder au travail préliminaire avec un rouleau à clous.

Transport

Attention

Risque de blessure et d'endommagement ! Respecter le poids de l'appareil lors du transport.

Transporter l'appareil

Lors du travail avec les tubes de rallonge et la buse de sol, l'appareil peut aussi être transporté facilement, par ex. sur des escaliers.

- Couper la chaudière avec l'interrupteur.
- Mettre l'appareil en position verticale.
- Accrocher le tube de rallonge avec le support sur le côté inférieur de l'appareil.

Entreposage

Attention

Risque de blessure et d'endommagement ! Prendre en compte le poids de l'appareil à l'entreposage.

Cet appareil doit uniquement être entreposé en intérieur.

Ranger l'appareil

- Disposer la buse manuelle, les buses à jet en point et les petites pièces dans le compartiment à accessoires.
- Enrouler le câble autour du support au fond de l'appareil. Enficher les tubes de rallonge individuellement dans les évidements au fond de l'appareil.

Remarque

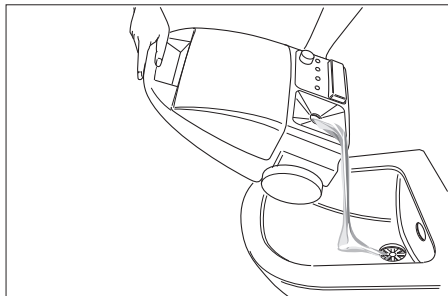
Laisser les brosses toujours refroidir de manière à éviter toute déformation des crins.

Entretien et maintenance

⚠ Danger

Pour effectuer des travaux de maintenance, la fiche de secteur doit obligatoirement être débranchée et le nettoyeur à vapeur doit être refroidi.

Rinçage de la chaudière



Rincer la chaudière du nettoyeur à vapeur après 5 remplissages de chaudière au maximum.

- Remplir la chaudière avec de l'eau et agiter énergiquement. Ceci permet de décoller les résidus de tartre qui se sont déposés au fond de la chaudière.
- Vider l'eau.

Détartrage de la chaudière

Remarque

En cas d'utilisation exclusive d'eau distillée (en vente dans le commerce), il n'est pas nécessaire de détartrer la chaudière.

⚠ Avertissement

Utiliser uniquement des produits agréés par la société Tornado afin d'éviter tout endommagement de l'appareil.

- Retirer la fiche secteur de la prise de courant.
- Vider entièrement l'eau contenue dans la chaudière.
- Laisser se dissoudre en totalité deux achats de détartrant dans 0.5 gal (2 litres) d'eau chaude en remuant en permanence.

- Verser cette solution détartrante dans la chaudière à vapeur et laisser agir pendant environ 8 heures.

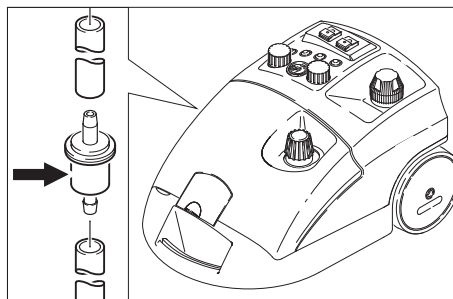
⚠ Danger

Pendant le détartrage, ne pas revisser la fermeture de sécurité sur l'appareil. Ne jamais utiliser l'appareil tant que la chaudière contient encore du détartrant.

- Vider la solution détartrante. Rincer la chaudière encore au moins deux fois avec de l'eau froide pour s'assurer qu'il ne reste plus de résidus dans l'appareil.
- Allumer l'appareil.
- Appuyer sur le bouton de réinitialisation jusqu'à ce que la lampe témoin "Détartre" s'éteint.

L'appareil est maintenant prêt à être utilisé. La lampe témoin "Détartre" indique que le prochain détartrage est nécessaire après environ 50 heures de service.

Changement de filtre



Le filtre peut se boucher si de l'eau impure est utilisée. Cela se manifeste par des durées de fonctionnement de la pompe extrêmement longues ou une défaillance totale.

- Remplacer le filtre.

Assistance en cas de panne

⚠ Danger

Pour effectuer des travaux de maintenance, la fiche de secteur doit obligatoirement être débranchée et le nettoyeur à vapeur doit être refroidi.

⚠ Danger

Seul le service après-vente est autorisé à effectuer des travaux de réparation sur l'appareil.

Lampe témoin "Manque d'eau" s'allume rouge

- Recharge d'eau.

Lampe témoin "Détartre" est allumée en blanc

- Détartre l'appareil.

Garantie

Dans chaque pays, les conditions de garantie en vigueur sont celles publiées par notre société de distribution responsable. Les éventuelles pannes sur les accessoires sont réparées gratuitement dans le délai de validité de la garantie, dans la mesure où celles-ci relèvent d'un défaut matériel ou d'un vice de fabrication. En cas de recours en garantie, adressez-vous à votre revendeur ou au service après-vente agréé le plus proche muni de votre preuve d'achat.

Accessoires et pièces de rechange

- Utiliser uniquement des accessoires et des pièces de rechange autorisés par le fabricant. Des accessoires et des pièces de rechange d'origine garantissent un fonctionnement sûr et parfait de l'appareil.
- Une sélection des pièces de rechange utilisées le plus se trouve à la fin du mode d'emploi.
- Plus information sur les pièces de rechange vous les trouverez sous www.tornadovac.com sous le menu Service.

Accessoires en option

Utiliser exclusivement des accessoires spéciaux qui ont été homologués par le fabricant.

Désignation	Référence
Chariot Caddy	6.962-239.0
Jeu de couronnes de crins avec crins en laiton	2.863-075.0
Jeu de couronnes de crins	2.863-077.0
Chiffon microfibre	6.905-921.0

Caractéristiques techniques

Branchement électrique		
Type de courant	--	1~
Fréquence	Hz	60
Tension	V	120
Tension dans la poignée	V	24
Câble de raccord réseau	N° de commande :	6.647-791.0
Performances		
Courant nominal	A	12
Courant nominal, Pompe	A	0.3
Pression de service max.	psi (MPa)	47 (0.32)
Pression de service admissible	psi (MPa)	73 (0.57)
Temps de chauffage par litre d'eau	min	ca. 5.5
Débit de vapeur max.	oz/min (g/min)	2.6 (75)
Dimensions et poids		
Poids sans accessoires	lbs (kg)	17.6 (8.0)
Quantité de remplissage d'eau	gal (l)	1.06 (4.0)
Contenance du réservoir	gal (l)	0.53 (2.0)
Capacité de la chaudière	gal (l)	0.63 (2.4)
Longueur	in (mm)	19.0 (480)
Largeur	in (mm)	12.0 (305)
Hauteur	in (mm)	10.5 (265)

INSTRUCCIONES IMPORTANTES DE SEGURIDAD

ANTES DE LA PRIMERA PUESTA EN MARCHA DEL APARATO DEBERÁN OBSERVARSE LOS SIGUIENTES PUNTOS

- Si al desembalar el aparato comprobara Vd. algún daño o desperfecto en el mismo atribuible al transporte, rogamos se dirija inmediatamente al distribuidor en donde adquirió el aparato.
- Extraiga la totalidad de las piezas y accesorios del aparato que se encuentran en el recipiente del mismo o en la caja de cartón del embalaje.
- El limpiador a vapor sólo se debe conectar a tomas de corriente instaladas correctamente y provistas de una puesta a tierra reglamentaria. Los datos necesarios para el fusible de la red figuran en el apartado <<Características Técnicas>>.
- Conectar exclusivamente a una toma con puesta a tierra. Consultar las instrucciones de puesta a tierra.

En caso de utilizar herramientas eléctricas acopladas al aparato, deberán observarse estrictamente todas las normas de seguridad básicas, a fin de prevenir cualquier riesgo de incendio, descargas eléctricas o daños o lesiones del personal encargado de manipular los mismos: Esta limpiadora de vapor está diseñada para uso comercial.

- 1 DESCONECTE EL LIMPIADOR A VAPOR DEL CIRCUITO DE ALIMENTACIÓN antes de quitar la tapa, antes de realizar trabajo de mantenimiento y cuando no la esté utilizando.
- 2 NO DEJAR EL APARATO sin vigilancia, mientras esté enchufado.
- 3 SIEMPRE VERIFIQUE QUE EL CABLE ELECTRICO no esté dañado o desperfecto antes de usar el aparato.
- 4 NO TIRE (Jale) O LLEVE LA LIMPIADORA DE VAPOR POR EL CABLE ELECTRICO. Tampoco debe pellizcar-

lo con una puerta o estirarlo por ningún canto (borde) agudo.

- 5 NO EXPONGA EL CABLE A LO CALIENTE NI A ACEITES. Para prevenir un tropiezo, no deje el cable suelto después de usarlo.
- 6 NO PASE EL LIMPIADOR A VAPOR POR ENCIMA DEL CABLE DE ALIMENTACIÓN.
- 7 PONGA EL SELECTOR EN LA POSICION DE <<OFF>> antes de desenchufar el aparato.
- 8 NO DESENCHUFE EL CABLE DE UN TIRON (Jalón). Para desenchufarle agarre la clavija (enchufe) no el cable.
- 9 NO AGARRE LA CLAVIJA (ENCHUFE) CON LAS MANOS MOJADAS.
- 10 EL CABLE ELECTRICO (O LA CLAVIJA) sólo debe ser reemplazado por un representante de un Centro de Servicio Autorizado. SE NINGUNA MANERA DEBE INTENTAR LA REPARACION DEL CABLE ELECTRICO.
- 11 PARA PREVENIR CHOQUES ELECTRICOS, no exponga la herramienta a la lluvia. Guárdela en un lugar seco.
- 12 SOLO USE EL APARATO COMO ESTA RECOMENDADO EN ESTE MANUAL. También use únicamente los accesorios recomendados.
- 13 MANTENGA ALEJADOS EL CABELLO (PELO), ROPA, ALHAJAS SUELTAS, DEDOS o cualquier otra parte del cuerpo, de las aberturas y partes móviles de la máquina.
- 14 NO CUBRA NI OBSTRUYA LAS ABERTURAS. Mantenga las aberturas libres de pelusa, pelo, polvo y cualquier cosa que limite la circulación del aire.
- 15 OLO CONECTE EL LIMPIADOR A VAPOR A TOMAS DE CORRIENTE CON CONEXION A TIERRA. (Vea <<NORMAS DE SEGURIDAD>>).
- 16 NO DEJE QUE LA LIMPIADORA DE VAPOR SEA USADA COMO JUGUETE. No permita que se acerquen niños a el limpiador a vapor.

- 17 NO DEJE EL LIMPIADOR A VAPOR EN MARCHA sin personal para cuidarla.
- 18 NO OPERE LA MAQUINA SI EL CABLE, EL ENCHUFE (La Clavija), EL FILTRO O LA PROPIA LIMPIADORA DE VAPOR ESTA EN MALA CONDICION. Si la limpiadora de vapor se ha caído o ha sido dañada o expuesta a la intemperie o si se ha caído en el agua, mándela o llévela a un representante de servicio autorizado para que el mismo verifique su funcionamiento.
- 19 SIEMPRE USE PROTECCION PARA LOS OJOS cuando opere con la limpiadora de vapor.
- 20 USE EXTREMA PRECAUCION al limpiar escaleras.
- 21 MANTENGASE ALERTA! No use el limpiador a vapor cuando esté cansado o bajo la influencia de medicación, alcohol o drogas.

CONSERVE ESTAS INSTRUCCIONES

Esta limpiadora de vapor está diseñada para uso comercial.

INSTRUCCIONES DE SEGURIDAD

INSTRUCCIONES DE PUESTA A TIERRA

- Este aparato debe ser puesto a tierra. Si funciona mal o se estropea, la toma a tierra ofrece una ruta de menor resistencia para la corriente eléctrica para reducir el riesgo de una descarga eléctrica.
- Este aparato está equipado con un cable que tiene un conductor con toma a tierra para el equipo y un enchufe con toma a tierra.
- El enchufe se debe insertar en una clavija apropiada que esté instalada correctamente y puesta a tierra de acuerdo con los códigos y normativas locales.

ADVERTENCIA:

- Una conexión incorrecta del conductor del equipo de toma a tierra puede provocar una descarga eléctrica.
- Consulte a un electricista cualificado o a un técnico si tiene dudas acerca de si el enchufe tiene la toma a tierra correcta.
- No modifique el enchufe suministrado del aparato.
- Si no encaja en el enchufe, solicite a un electricista cualificado que instale un enchufe correcto.
- El aparato se usa con un circuito de 120 voltios y tiene un enchufe con toma a tierra que tiene el mismo aspecto que la ilustración A.
- Se puede usar un adaptador temporal como el de la ilustración B para conectar este enchufe a un receptáculo bipolar como se indica en la ilustración B si no hay un enchufe con toma a tierra correcto.
- El adaptador temporal sólo se debe usar hasta que el electricista cualificado haya instalado el enchufe con toma a tierra (fig. A).
- La orejeta verde rígida o similares que se extiende desde el adaptador se debe conectar a una toma permanente a tierra como una cubierta de caja con toma a tierra correcta.
- Siempre que se use el adaptador se debe mantener sujeto con un tornillo metálico.

EN TODOS LOS CASOS, ASEGÚRESE DE QUE EL RECEPTÁCULO EN CUESTIÓN TIENE UNA TOMA A TIERRA CORRECTA.

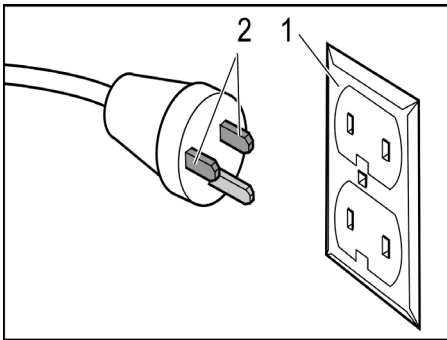
NO RETIRE LA TOMA A TIERRA DEL ENCHUFE DE ALIMENTACIÓN.

CABLES ALARGADORES

Usar sólo cables alargadores de tres alambres que tengan enchufes triples y el receptáculo tripolar que acepta el enchufe del aparato. Sustituir inmediatamente el cable dañado o usado.

NO INTENTE REPARAR EL CABLE DE ALIMENTACIÓN.

Figura A

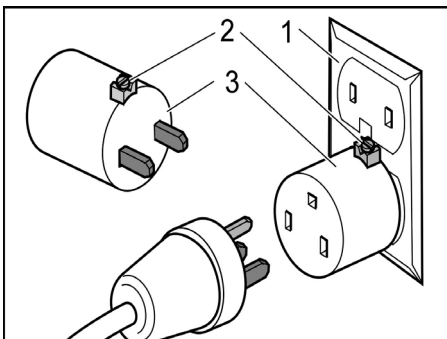


1 Caja de toma de corriente con puesta a tierra

2 Horquillas conductoras de corriente

La horquilla de toma a tierra es la más larga de las 3

Figura B



1 Caja de toma de corriente con puesta a tierra

2 Medios de toma a tierra

3 Adaptador

Nota: en Canadá, el uso de un adaptador temporal no está permitido por el código canadiense de electricidad.

Mantenimiento del aparato dotados de doble aislamiento

Un aparato dotado de doble aislamiento incorpora dos sistemas de aislamiento en lugar de la puesta a tierra. Es decir, el aparato dotado de doble aislamiento no incorporan ningún conductor ni dispositivo de puesta a tierra ni hay que acoplar a adicionalmente a los mismos una puesta a tierra. Los trabajos de mantenimiento de un aparato dotado de un sistema de doble aislamiento requieren unos conocimientos particularmente amplios y completos de dicho dispositivo y del aparato en cuestión, debiendo ser ejecutados exclusivamente por personal especializado del Servicio Técnico Postventa Oficial. En caso de tener que sustituir piezas o componentes defectuosos del aparato de doble aislamiento, las piezas de repuesto deberán ser idénticas a las piezas defectuosas.



Antes del primer uso de su aparato, lea este manual original, actúe de acuerdo a sus indicaciones y guárdelo para un uso posterior o para otro propietario posterior.

- ¡Antes de la primera puesta en marcha lea sin falta las instrucciones de uso y las instrucciones de seguridad n.º 5.956-345!
- El incumplimiento de las instrucciones de uso y de las indicaciones de seguridad puede provocar daños en el aparato y poner en peligro al usuario y a otras personas.
- En caso de daños de transporte informe inmediatamente al fabricante.

Índice de contenidos

Protección del medio ambiente	ES	... 1
Símbolos del manual de instrucciones	ES	... 1
Uso previsto	ES	... 1
Dispositivos de seguridad	ES	... 2
Indicaciones de aplicación	ES	... 2
Elementos del aparato	ES	... 3
Puesta en marcha	ES	... 4
Manejo	ES	... 4
Empleo de los accesorios	ES	... 6
Transporte	ES	... 8
Almacenamiento	ES	... 8
Cuidados y mantenimiento	ES	... 8
Ayuda en caso de avería	ES	... 9
Garantía	ES	... 9
Accesorios y piezas de repuesto	ES	... 9
Datos técnicos	ES	... 10

Protección del medio ambiente



Los materiales empleados para el embalaje son reciclables y recuperables. No tire el embalaje a la basura doméstica y entréguelo en los puntos oficiales de recogida para su reciclaje o recuperación.



Los aparatos viejos contienen materiales valiosos reciclables que deberían ser entregados para su aprovechamiento posterior. Evite el contacto de baterías, aceites y materias semejantes con el medioambiente. Por este motivo, entregue los aparatos usados en los puntos de recogida previstos para su reciclaje.

Símbolos del manual de instrucciones

Peligro

Para un peligro inminente que acarrea lesiones de gravedad o la muerte.

Advertencia

Para una situación que puede ser peligrosa, que puede acarrear lesiones de gravedad o la muerte.

Precaución

Para una situación que puede ser peligrosa, que puede acarrear lesiones leves o daños materiales.

Uso previsto

- El aparato está destinado a la limpieza con vapor y se puede utilizar con accesorios apropiados como los que se indican en este manual de instrucciones.
- Este es apto para el uso en aplicaciones industriales.

Dispositivos de seguridad

La función de los dispositivos de seguridad es proteger al usuario y está prohibido ponerlos fuera de servicio y modificar o ignorar su funcionamiento.

Regulador de Presión.

El regulador de presión permite mantener la presión de la caldera constante durante el funcionamiento. La calefacción se desconecta cuando en la caldera se alcanza la presión máxima de servicio y se vuelve a conectar cuando la presión de la caldera cae a causa del consumo de vapor que se produce.

termostato indicador de falta de agua

La falta de agua en la caldera hace aumentar la temperatura de la calefacción. El termostato indicador de falta de agua desconecta la calefacción y el piloto rojo de aviso de falta de agua se ilumina. La calefacción permanecerá apagada hasta que la caldera se haya enfriado o haya vuelto a ser llenada.

Termostato de seguridad

- Si el termostato indicador de falta de agua está averiado y el aparato se sobrecalienta, será el termostato de seguridad el que se ocupe de desconectar el aparato.
- Para el rearme del termostato de seguridad, póngase en contacto con el Servicio Técnico de Tornado.

Cierre de seguridad

- El cierre de seguridad cierra la caldera, oponiéndose a la presión existente del vapor. En caso de que el regulador de presión estuviera averiado y se produjera sobrepresión en la caldera se abriría en el cierre de seguridad una válvula de sobrepresión y el vapor saldría por el cierre.

- Antes de volver a poner el aparato en funcionamiento, póngase en contacto con el Servicio Técnico de Tornado.

Indicaciones de aplicación

Refrescar materiales textiles

Antes del tratamiento con el limpiador a vapor, comprobar la tolerancia de los tejidos en una zona oculta: Primero aplicar una gran cantidad de vapor, después dejar secar y a continuación comprobar si hay modificación en el color o la forma.

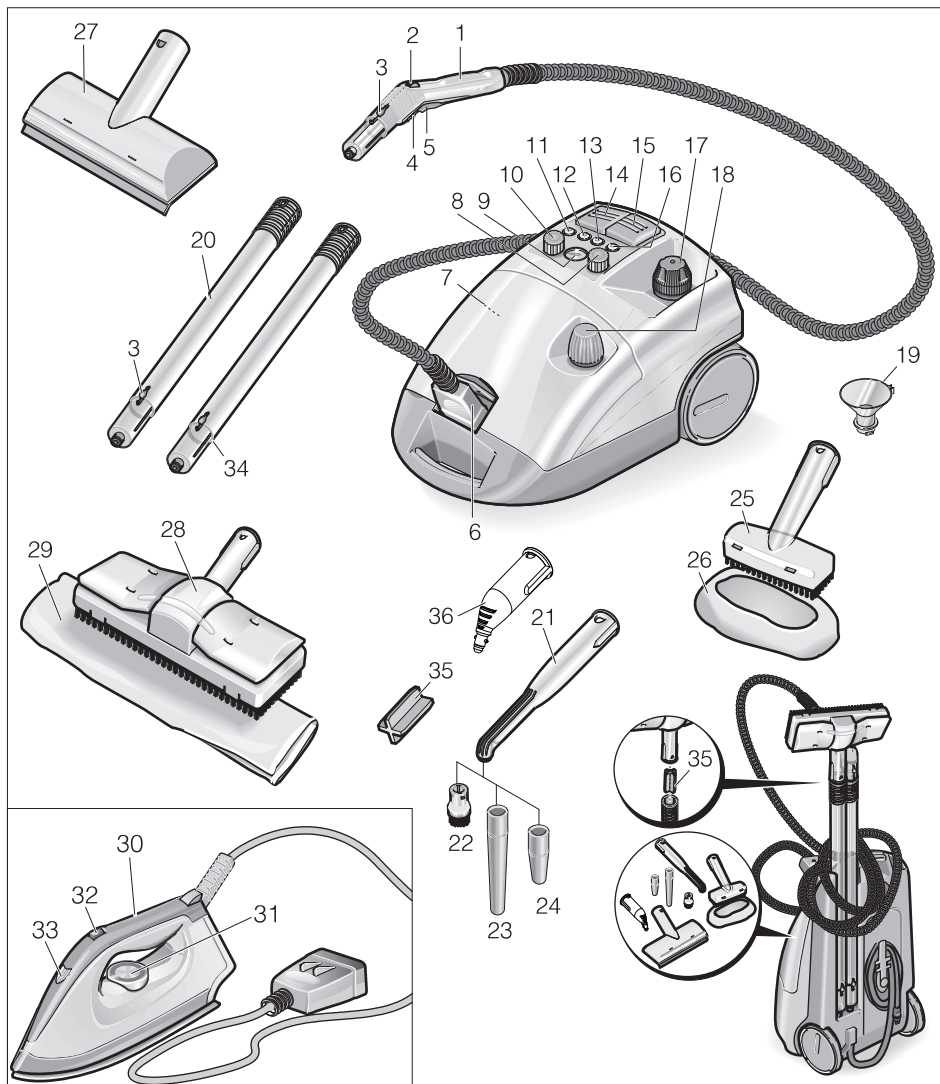
Limpieza de superficies recubiertas con una capa protectora o barnizadas

Al limpiar superficies lacadas o con revestimiento sintético, como muebles de cocina o salón, puertas, parqué se puede soltar la cera, el producto tratante para muebles, los revestimientos de plástico o el color o bien dejar manchas. Para limpiar estas superficies, aplicar vapor con un paño sobre la superficie.

Limpieza de ventanas y superficies acristaladas

Caliente las ventanas previamente en caso de bajas temperaturas exteriores, sobre todo en invierno. Para ello aplique algo de vapor en toda la superficie de cristal. De este modo se evitarán tensiones en la superficie que puedan provocar roturas de cristal.

Elementos del aparato



- 1 Pistola aplicadora de vapor
- 2 Rosca para la regulación del vapor
- 3 Tecla de desbloqueo
- 4 Seguro (para niños)
- 5 Selector de vapor
- 6 Conector de vapor
- 7 Botón de reestablecimiento - Descalcificar

- 8 Rosca para la regulación del VAPO-HYDRO
- 9 Piloto luminoso temperatura
- 10 Rosca para la regulación del vapor
- 11 Piloto de control- Descalcificación (blanco)
- 12 Piloto de control "falta de agua" depósito adicional (rojo)

- 13 Piloto de aviso - calefacción (amarillo)
- 14 Interruptor - Calefacción (ON/OFF)
- 15 Interruptor de aplicación de vapor
- 16 Piloto de control "falta de agua" depósito de vapor (rojo)
- 17 Cierre de seguridad
- 18 Cierre del recipiente
- 19 Embudo de relleno
- 20 Tubos de prolongación (2 unidades)
- 21 Boquilla de chorro concentrado (7.1 in/ 180 mm)
- 22 cepillo circular
- 23 elemento de prolongación
- 24 Boquilla para aumentar la velocidad de salida del vapor (roja)
- 25 boquilla de limpieza manual
- 26 Funda de rizo
- 27 Boquilla para despegar papel pintado (optativo)
- 28 Boquilla barredora de suelos
- 29 Paño del suelo
- 30 Plancha (accesorio especial)
- 31 regulador de temperatura
- 32 Interruptor para el planchado con vapor
- 33 Piloto de aviso: calefacción de la plancha en funcionamiento
- 34 Soporte tubería de prolongación
- 35 Soporte para boquilla para suelos
- 36 Boquilla de chorro concentrado (4.7 in/ 120 mm)

Puesta en marcha

Montaje de los accesorios

- El enchufe de vapor está enganchado en el aparato. Las lengüetas del enchufe tienen que encajar en la tapa del enchufe del aparato.
- Conectar la pieza accesorio (boquilla de suelos, boquilla manual o boquilla de chorro puntual) con la pistola de vapor. Introducir unas piezas en otras hasta que encaje el botón de bloqueo en la pistola de vapor.

- Utilizar las tuberías de prolongación si es necesario. Introducir unas piezas en otras hasta que encaje el botón de bloqueo correspondiente.
- Pulsar el botón de bloqueo para separar las piezas accesorias.

Llenado de agua

- Desatornille el cierre de seguridad del aparato.
- Llene la caldera con un máximo de 0.5 gal (2 litros) de agua fresca potable con el embudo. El empleo de agua caliente reduce el tiempo que tarda el agua en calentarse.

Nota

La caldera puede llenarse hasta 0.8 in (2 cm) por debajo del borde de la boca de llenado con el aparato en horizontal.

⚠ Advertencia

No utilizar detergente.

- Vuelva a atornillar el cierre de seguridad en el aparato.

Depósito adicional

Para un período de trabajo más largo también se puede llenar el depósito adicional.

- Desatornillar el cierre del recipiente del depósito adicional.
- Llene el depósito adicional con un máximo de 0.5 gal (2 litros) de agua fresca potable con el embudo.
- Atornillar el cierre del recipiente al depósito adicional.

Manejo

Piloto luminoso temperatura

El indicador de temperatura muestra si se trabaja a la temperatura adecuada (zona verde).

Conexión del aparato

- Enchufar la clavija de red a una toma de corriente.
- Conectar el aparato con el interruptor de la alimentación de vapor y el interruptor de la calefacción. Los pilotos de control están iluminados.

Nota

Sólo se dispone de la plena potencia calefactora si el acoplamiento de vapor está conectado al aparato durante el calentamiento.

Si se apaga el piloto "Calefacción", el sistema estará listo para funcionar.

Nota

No colocar el aparato en vertical mientras esté encendido. La calefacción se desconectaría tras un breve período de tiempo y el piloto "Falta de agua" se iluminaría en rojo.

- Desconectar la calefacción con el interruptor para transportar el aparato.
- Pulsar el interruptor de vapor para que salga vapor. Orientar primero la pistola siempre hacia un paño hasta que el vapor salga de forma uniforme.
- La calefacción se conecta siempre durante el uso (el piloto se ilumina en amarillo), para mantener la presión en la caldera.
- Si se conecta el aparato sin agua, primero se ilumina en amarillo el piloto "Calefacción", hasta que el termostato de falta de agua desconecte la calefacción. Después se ilumina el piloto "Falta de agua" en rojo.

Regulación de vapor con la rosca del aparato

- Regular la cantidad de vapor al trabajar con accesorios estándar o plancha con rosca en el aparato.

Regulación de vapor con rosca en la pistola de vapor

- Regular la cantidad de vapor al trabajar con el accesorio estándar con la rosca de la pistola de vapor. La rosca del aparato estará inactivo.

Nota

En caso de haber ajustado la ruedecilla a un escaso caudal de vapor, es posible que, al soltar el interruptor de aplicación de vapor, continúe saliendo brevemente vapor hasta que la presión residual de la manguera de vapor haya sido eliminada. Esta presión también se puede bajar más rápido si se ajusta la regulación de vapor brevemente a gran cantidad.

Regulación VAPOHYDRO con rosca

- En caso de limpieza en mojado, podrá retirar la suciedad con agua en lugar de con un paño. Para ello ajustar la humedad del vapor con la rosca para regular VAPOHYDRO. Cuanto mayor sea el grado de humedad del vapor, mayor será la cantidad de agua contenida en el chorro de vapor y mejor será el efecto limpiador. Si se gira la rosca totalmente hacia "+", sale un chorro de agua caliente, después el efecto limpiador es mucho mejor.
- Se recomienda utilizar VAPOHYDRO, p.ej. con la boquilla de chorro puntual, para limpiar el baño.
- Ajustar la regulación de VAPOHYDRO a "-" para trabajar con paños (boquilla para suelos, boquilla manual), para obtener la menor humedad posible en el chorro de vapor. La fuerza disolvente de suciedad del vapor mejorará.

Nota

Si se gira la rosca de la regulación de VAPOHYDRO a "+", se vaciará la caldera más rápido.

Rellenado del depósito con agua

Nota

Si se ha consumido el agua del depósito, suena una señal y el piloto se "Falta de agua depósito adicional" se ilumina en rojo.

➔ Llene el depósito adicional con un máximo de 0.5 gal (2 litros) de agua fresca potable con el embudo.

Si se apaga el piloto "Calefacción", el sistema estará listo para funcionar.

Nota

Si la bomba no transporta agua a pesar de que el depósito adicional está lleno, se debe descalcificar la caldera.

Desacoplamiento de los accesorios

⚠ Peligro

Tenga cuidado al desacoplar los accesorios, ya que puede gotear agua caliente de ellos. No desacople nunca los accesorios mientras salga vapor - ¡Peligro de escaldamiento!

Desconexión del aparato

- ➔ Desconectar el aparato con los interruptores.
- ➔ Levantar la tapa del enchufe del aparato y tirar el enchufe de vapor del aparato.
- ➔ Saque el enchufe de la toma de corriente.

Nota

El agua residual puede quedarse en el aparato.

Empleo de los accesorios

Pistola aplicadora de vapor

Ejemplos de utilización de la pistola de vapor sin accesorios:

- para eliminar olores y arrugas de ropa que cuelgue, aplicar vapor desde una distancia de 3.9-7.9 in (10-20 cm).
- para eliminar el polvo de plantas Mantenga una distancia de 7.9-15.7 in (20-40 cm).

- para quitar el polvo en húmedo, para ello se aplica algo de vapor en un paño y se frota los muebles con él.

Boquilla de chorro concentrado

- Cuanto más cerca esté la boquilla del objeto a limpiar, mayor será el efecto limpiador del vapor, dado que la temperatura y la presión del vapor alcanzan sus valores máximos directamente al salir.
- La boquilla de chorro puntual con los diferentes módulos es apta para la limpieza de zonas de difícil acceso, como esquinas, juntas etc. persianas, calefacciones centrales, baños, acero inoxidable, ventanas, espejos, griferías, superficies revestidas y esmaltadas, disolución de manchas.
- Esta boquilla permite aumentar la velocidad a la que fluye el vapor. Por eso es apta para la limpieza de suciedad muy incrustada, soplar en esquinas, juntas etc.

Nota

No emplee el cepillo circular para la limpieza de superficies delicadas.

Boquilla barredora de suelos

- Apto para pavimentos y paredes lavables, como suelos de piedra, azulejos y PVC. Al limpiar superficies muy sucias, pase la boquilla lentamente para que el vapor pueda actuar durante más tiempo.
- Dar vueltas y cambiar el paño para suelos regularmente para mejorar la absorción de suciedad.

Nota

Los restos de detergente que aún se encuentren en las superficies a limpiar, podrían provocar estrías al limpiar con el vapor, pero desaparecen tras varios usos.

- ➔ Fijar el paño para suelos a la boquilla para suelos.
- 1 Doblar el paño para suelos a lo largo y colocar la boquilla para suelos encima de él.

- 2 Abrir las pinzas de sujeción.
- 3 Colocar los extremos de los paños en los orificios y tensar.
- 4 Cierre las pinzas de sujeción.

⚠ **Advertencia**

No colocar los dedos entre las pinzas.

Boquilla de limpieza manual

Apto para superficies pequeñas lavables, cabinas de ducha, espejos o tejidos de muebles.

- ➔ Vestir la boquilla manual con la funda de franela.

Plancha (accesorio especial)

Ref. 6.959-262.0

- ➔ Conectar el conector de vapor de la plancha con el aparato.

Planchado con vapor

- ➔ Ajustar la regulación VAPOHYDRO a " " con la rosca.
- ➔ Girar el regulador de temperatura al menos al nivel 3 para planchar todos los tejidos. El vapor proyectado por la plancha impide el sobrecalentamiento del tejido.

Cuando se apague el piloto de la plancha estará lista para el funcionamiento.

Nota

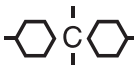


Cuanto más alta se ajuste la temperatura, más seco e invisible es el vapor. La cantidad de vapor se mantiene igual.

- Presionar hacia delante el interruptor para planchar con vapor: el vapor sale continuamente.
- Presionar hacia atrás el interruptor para planchar con vapor: Sale un golpe de vapor.
- ➔ Dirigir el vapor primero a un paño hasta que no salga más agua.
- ➔ Girar la regulación de cantidad de vapor del aparato hasta que salga la cantidad de vapor deseada.

Para aplicar vapor a cortinas, ropa etc. se puede poner la plancha en vertical.

Planchado en seco

- ➔ Planchas sin vapor: conectar el interruptor del aparato para la alimentación de vapor y desconectar la calefacción.
- ➔ Girar el regulador de temperatura de la plancha para el tipo de tejido deseado.

Fibra sintética	Lana	Lino
		

Boquilla para despegar papel pintado (optativo)

Ref. 4.130-145.0

- ➔ Aplicar vapor de forma uniforme a la superficie de cristal desde una distancia de aprox. 7.9 in (20 cm).
- ➔ Desconectar la alimentación de vapor.
- ➔ Pasar sobre la superficie de cristal de arriba a abajo con el labio de goma.
- ➔ Secar el labio de goma y el borde inferior de la ventana después de cada pasada.

Boquilla para despegar papel pintado (accesorio especial)

Ref. 2.863-076.0

Acoplado esta boquilla, puede utilizar el dispositivo limpiador de vapor para retirar el papel pintado de las paredes.

- ➔ Colocar el levantador de papel de empapelar en el borde de la tira de papel y dejar actuar el vapor hasta que esté blando (aprox 10 segundos).
- ➔ Cambiar de sitio el levantador de papel sin desconectarlo. Quitar de la pared la pieza de papel levantada con una espátula.

Si el papel pintado de fibra gruesa tiene varias capas de pintura, es posible que el vapor no llegue a humedecerlo. En este caso se recomienda trabajar primero con un rodillo de clavos.

Transporte

Precaución

¡Peligro de lesiones y daños! Respetar el peso del aparato para el transporte.

Transportar el aparato

Si se trabaja con tuberías de prolongación y la boquilla para suelos, se puede transportar el aparato fácilmente, p.ej. por escaleras.

- Desconectar la calefacción con el interruptor.
- Poner el aparato verticalmente.
- Colgar la tubería de prolongación con el soporte de la parte inferior del aparato.

Almacenamiento

Precaución

¡Peligro de lesiones y daños! Respetar el peso del aparato en el almacenamiento.
Este aparato sólo se puede almacenar en interiores.

Almacenamiento del aparato

- Colocar la boquilla manual, las boquillas de chorro concentrado y las piezas pequeñas en el compartimento para accesorios.
- Enrollar el cable en el soporte de la base del aparato. Introducir las tuberías de prolongación una a una en las ranuras de la base del aparato.

Nota

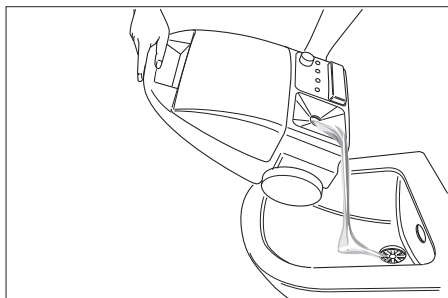
Dejar enfriar siempre los cepillos para evitar que se deformen las cerdas.

Cuidados y mantenimiento

⚠ Peligro

Antes de efectuar los trabajos de mantenimiento, desenchufe el dispositivo limpiador de vapor de la red y espere a que se enfríe.

Enjuague de la caldera



Enjuagar la caldera de la limpiadora de vapor como mínimo cada 5 rellenos.

- Llenar la caldera de agua y sacudirla fuertemente. Con ello se desprenden los restos de cal que se han quedado depositados en el fondo de la caldera.
- Vaciar el agua.

Desincrustación de la cal de la caldera

Nota

Si se emplea continuamente un agua destilada de las habituales en el mercado, no es necesario descalcificar la caldera.

⚠ Advertencia

A fin de evitar posibles daños en la caldera, emplee para la desincrustación únicamente productos autorizados por Tornado.

- Saque el enchufe de la toma de corriente.
- Descargue toda el agua de la caldera.
- Disolver totalmente dos bolsas de descalcificador removiendo continuamente en 0.5 gal (2 litros) de agua caliente.
- Vierta esta solución en la caldera y déjela actuar durante aprox. 8 horas.

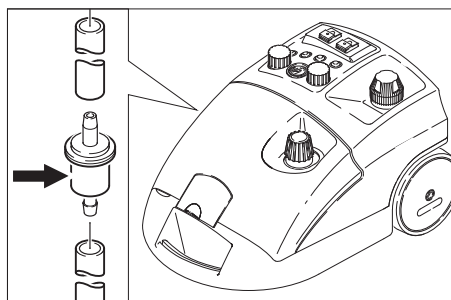
⚠ Peligro

Durante la descalcificación no atornille el cierre de seguridad en el aparato. No emplee bajo ningún concepto el dispositivo mientras la caldera contenga producto desincrustante.

- Verter la solución descalcificadora. Enjuagar la caldera al menos otras dos veces con agua fría para asegurarse de que no quedan restos en el aparato.
- Conexión del aparato
- Pulsar el botón de reestablecimiento hasta que se apague el piloto "Descalcificar".

El aparato queda listo para su uso. Tras aprox. 50 horas de servicio, el piloto "Descalcificar" indica la siguiente descalcificación necesaria.

Cambio de filtro



Si se utiliza agua sucia se puede atascar el filtro. Esto se nota porque la bomba está en marcha durante mucho tiempo o deja de funcionar totalmente.

- Cambiar el filtro.

Ayuda en caso de avería

⚠ Peligro

Antes de efectuar los trabajos de mantenimiento, desenchufe el dispositivo limpiador de vapor de la red y espere a que se enfríe.

⚠ Peligro

Los trabajos de reparación en el aparato sólo los puede realizar el Servicio técnico autorizado.

Piloto de control "falta de agua" se ilumina en rojo

- Rellenar el depósito con agua.

Piloto de control- Descalcificación iluminado en blanco

- Descalcifique el aparato.

Garantía

En todos los países rigen las condiciones de garantía establecidas por nuestra empresa distribuidora. Las averías del accesorio serán subsanadas gratuitamente dentro del periodo de garantía, siempre que se deban a defectos de material o de fabricación. En un caso de garantía, le rogamos que se dirija con el comprobante de compra al distribuidor donde adquirió el aparato o al servicio al cliente autorizado más próximo a su domicilio.

Accesorios y piezas de repuesto

- Sólo deben emplearse accesorios y piezas de repuesto originales o autorizados por el fabricante. Los accesorios y piezas de repuesto originales garantizan el funcionamiento seguro y sin averías del aparato.
- Podrá encontrar una selección de las piezas de repuesto usadas con más frecuencia al final de las instrucciones de uso.
- En el área de servicios de www.tornadovac.com encontrará más información sobre piezas de repuesto.

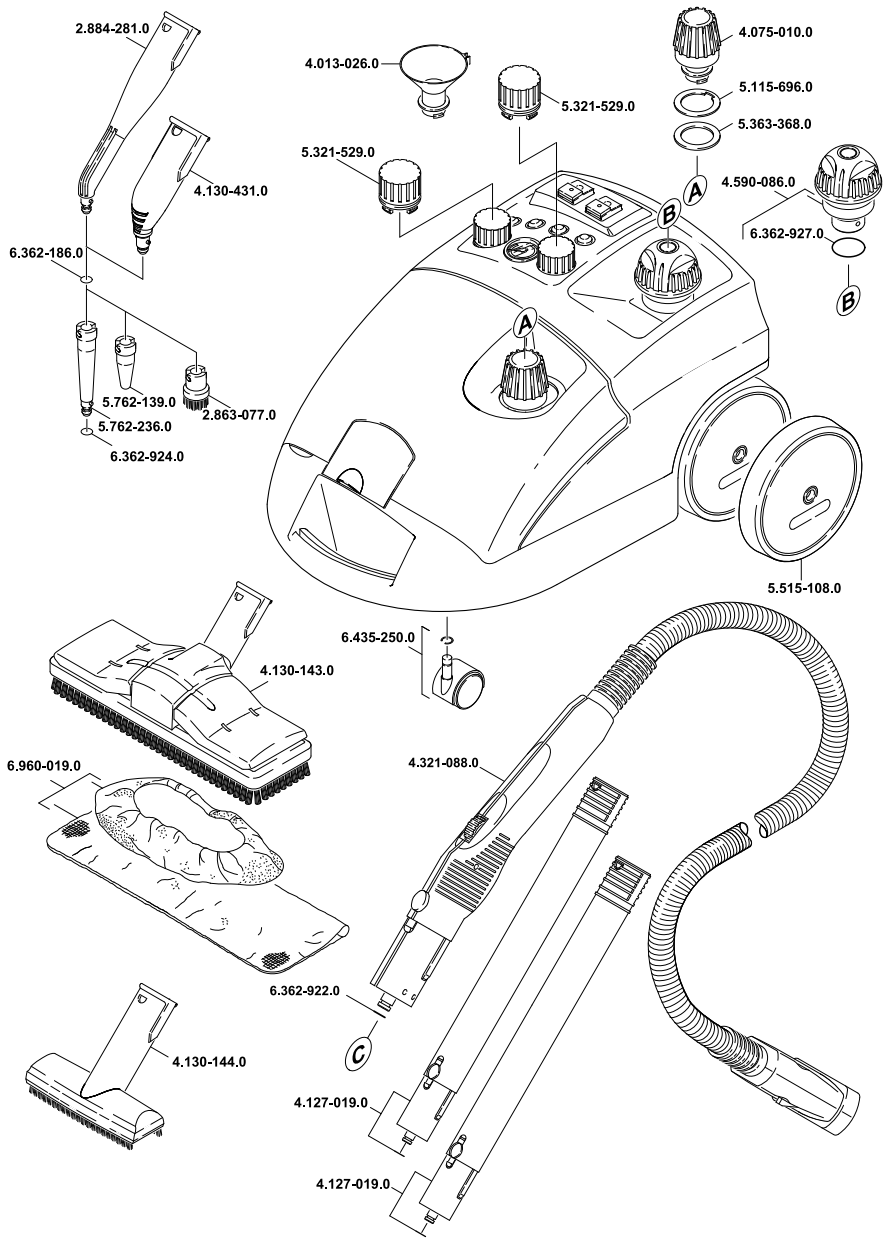
Accesorios especiales

Sólo se puede utilizar accesorios especiales autorizados por fabricante.

Denominación	No. de pieza
Vehículo Caddy	6.962-239.0
Set de corona de cerdas con cerdas de latón	2.863-075.0
Set de corona de cerdas	2.863-077.0
Paño de microfibras	6.905-921.0

Datos técnicos

Conexión eléctrica		
Tipo de corriente	--	1~
Frecuencia	Hz	60
Tensión	V	120
Tensión en la empuñadura	V	24
Cable conexión red	N.º de pedido	6.647-791.0
Potencia y rendimiento		
Corriente nominal	A	12
Corriente nominal, Bomba	A	0.3
Máx. presión de servicio	psi (MPa)	47 (0.32)
Presión de servicio permitida	psi (MPa)	73 (0.57)
Tiempo de calefacción por litro de agua	min	ca. 5.5
Máx. caudal de vapor	oz/min (g/min)	2.6 (75)
Medidas y pesos		
Peso sin accesorios	lbs (kg)	17.6 (8.0)
Capacidad útil de la caldera	gal (l)	1.06 (4.0)
Contenido del depósito	gal (l)	0.53 (2.0)
Máx. capacidad de la caldera	gal (l)	0.63 (2.4)
Longitud	in (mm)	19.0 (480)
Anchura	in (mm)	12.0 (305)
Altura	in (mm)	10.5 (265)



5.959-409.0 13.02.2012

