

HOOVER®

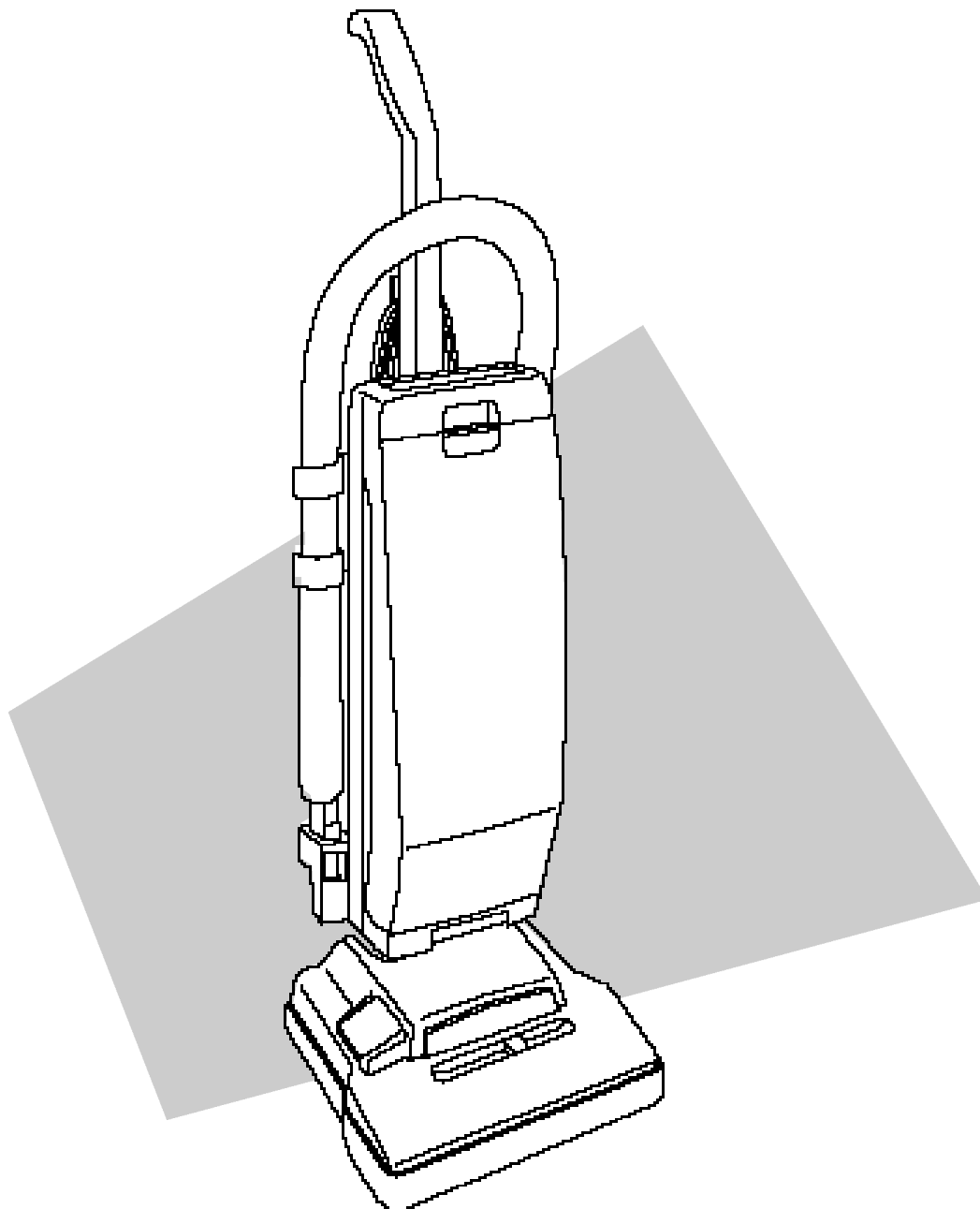
Upright Vacuum
Cleaner

Owner's Manual

English → pp. 1-14

Spanish → pág. 15-22

French → p. 23-30



Review this manual before
operating cleaner.



Thank you for selecting a HOOVER product.

This cleaner was inspected and packaged carefully before being shipped from the factory. If you should happen to need assistance during assembly or operation,

Visit us online at www.hoover.com to find the service outlet nearest you (click on the "Service" button) or

Call **1-800-944-9200** for an automated referral of authorized service outlet locations (U.S. only) or

Call 1-330-499-9499 to speak with a representative in our Consumer Response Center.

DO NOT RETURN THIS PRODUCT TO THE STORE.

Fill in and retain

This vacuum cleaner is a combination cleaner. It is designed for carpet and rug cleaning and may be used with cleaning tools for other tasks.

The model and serial number are located on the bottom of the cleaner. For your personal records, please enter the COMPLETE model and serial number in the spaces provided and retain this information.

Your cleaner is model _____

and has serial number _____

It is suggested that you attach your sales receipt to this owner's manual. Verification of date of purchase may be required for warranty service of your HOOVER product.

Save!

Index

Assembling Cleaner	3-7
Cleaner Descriptions	7

How To Use

Cleaning Tools.....	9-10
Upright Cleaner	7-9

If You Have a Problem	13
-----------------------------	----

Important Safeguards.....	2
---------------------------	---

Lubrication	13
-------------------	----

Maintenance

Authorized Service	14
Replacing Agitator.....	12-13

Replacing Belt	11-12
----------------------	-------

Replacing Headlight	11
---------------------------	----

Replacing Filter Bag	11
----------------------------	----

Unpacking Cleaner.....	3
------------------------	---

Warranty	14
----------------	----

©2001 The Hoover Company

www.hoover.com



Important Safeguards!

When using an electrical appliance, always follow basic precautions, including the following:

READ ALL INSTRUCTIONS BEFORE USING THIS APPLIANCE

Warning: To reduce the risk of fire, electric shock, or injury:

- Do not use outdoors or on wet surfaces.
- Close supervision is necessary when any appliance is used by or near children. Do not allow vacuum cleaner to be used as a toy or to run unattended at any time.
- Keep hair, loose clothing, fingers, feet and all parts of body away from openings, rotating agitator and other moving parts. Do not operate cleaner in bare feet or when wearing open toe shoes or sandals.
- Do not pick up anything that is burning or smoking, such as cigarettes, matches, or hot ashes.
- Do not use to pick up flammable or combustible materials such as gasoline, or fine wood sandings or use in areas where they may be present.
- Avoid picking up hard, sharp objects with the cleaner. They may damage the cleaner and the bag.
- Always turn off this appliance before connecting or disconnecting hose.
- Do not use without dust bag or filters in place. Change bag frequently when picking up very fine materials such as powder.
- Use extra care when cleaning on stairs.
- Do not put any object into openings. Do not use with any opening blocked; keep free of dust, lint, hair, or anything that may reduce air flow.
- Do not pull or carry by cord, use cord as a handle, close door on cord or pull cord around sharp edges or corners. Do not run appliance over cord. Keep cord away from heated surfaces.
- Always disconnect cord from electrical outlet before servicing the cleaner.
- Unplug cleaner when not in use. Turn off all controls before unplugging.
- Do not unplug by pulling on cord. To unplug, grasp the plug, not the cord. Never handle plug or appliance with wet hands.
- The use of an extension cord is not recommended.
- Do not use with damaged cord or plug. If appliance is not working as it should, has been dropped, damaged, left outdoors, or dropped into water, take it to a Hoover Factory Service Center or Authorized Hoover Warranty Service Dealer (Depot).
- Use vacuum cleaner only for its intended use as described in the instructions. Use only attachments recommended by The Hoover Company; others may cause hazards.

Save these instructions

1. Assembling cleaner

It is extremely important to read and follow all the instruction steps in order.

The assembled cleaner will look like this drawing.

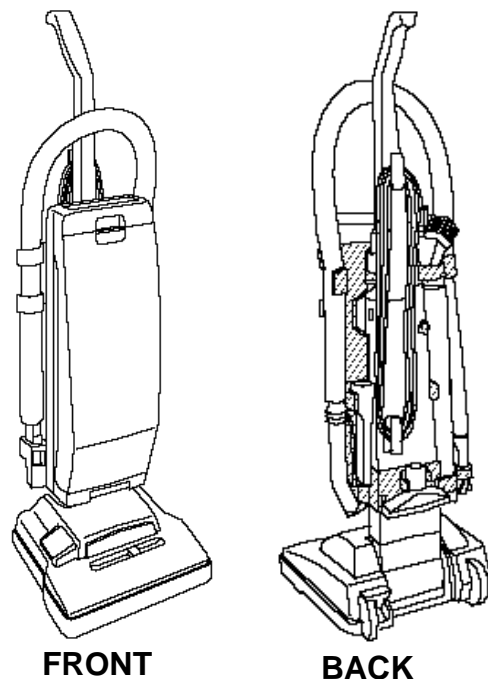
If you need assistance with any step of the assembly,

Visit us on-line at www.hoover.com to find the service outlet nearest you (click on the "Service" button) or

Call **1-800-944-9200** for an automated referral of authorized service outlet locations (U.S. only) or

Call **1-330-499-9499** to speak with a representative in our Consumer Response Center.

This cleaner is intended for household use.

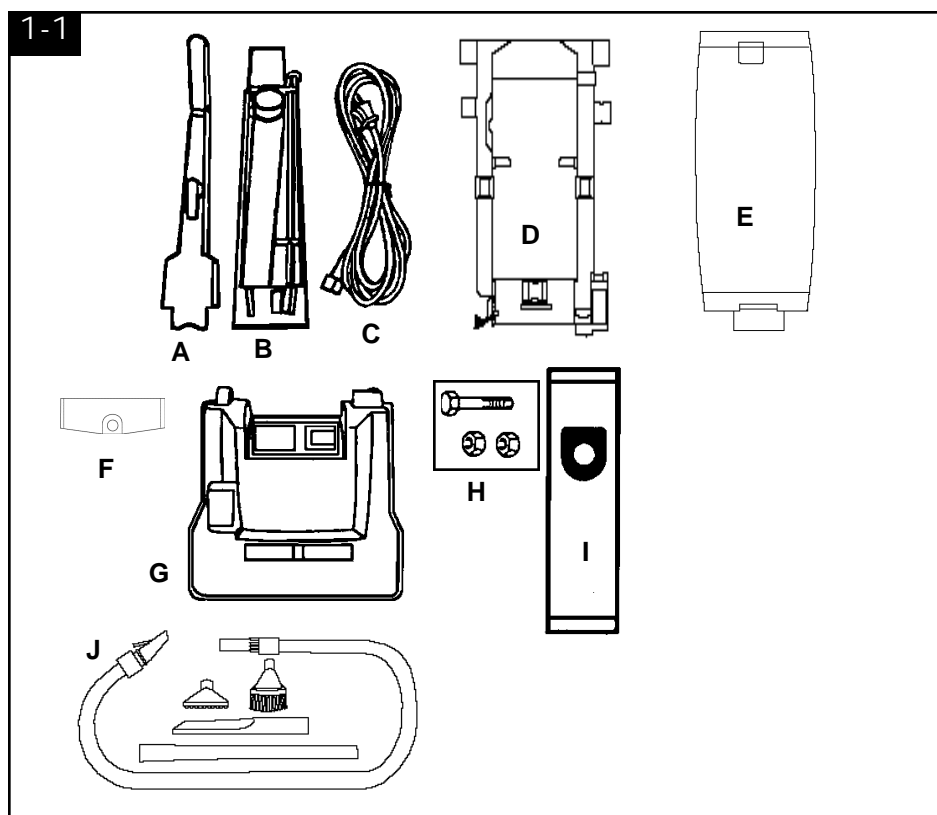


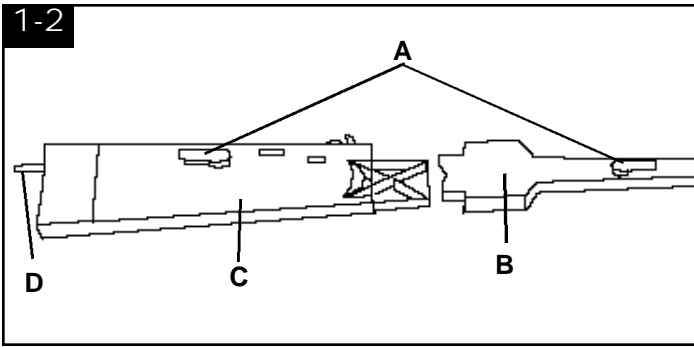
Carton contents

Remove all parts from carton and identify each item shown.

Make sure all parts, especially small items such as F and H, are located before disposing of cardboard packing.

- A. Upper handle**
- B. Lower handle**
- C. Cord**
- D. Tool rack**
- E. Bag compartment**
- F. Bracket**
- G. Cleaner body**
- H. Handle bolt and nut packet (one extra nut included)**
- I. Filter bag**
- J. Hose and cleaning tools** (some models come with one wand, others come with two)

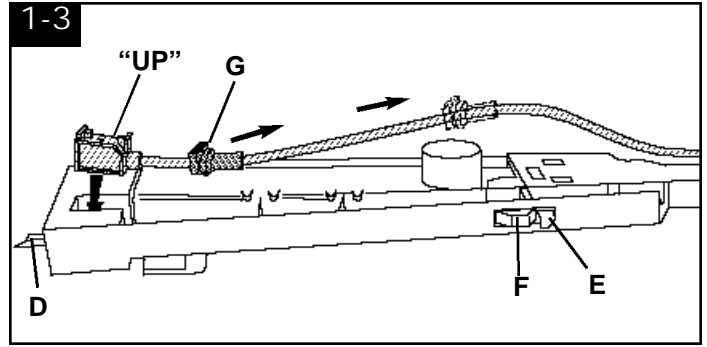




Handle assembly

Place upper (B) and lower (C) handle sections on a flat surface with cord hooks (A) on top. With hands on sides of handle sections, push sections together firmly until they “click” into place.

*Do not press against the rod (D) extending from the lower handle. If the rod breaks or bends, the cleaner will not work properly. Do not push handle together with your hands on the ends of the sections.



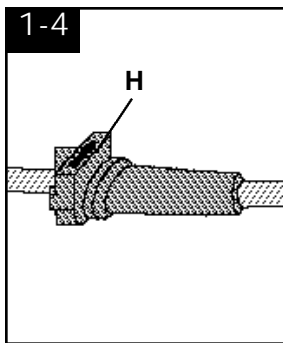
Attach cord

Note: The small red tab (E) above the ON/OFF switch (F) is for **shipping purposes only** and may fall off during assembly. If it does not fall off, the tab will be removed during the final steps of assembly.

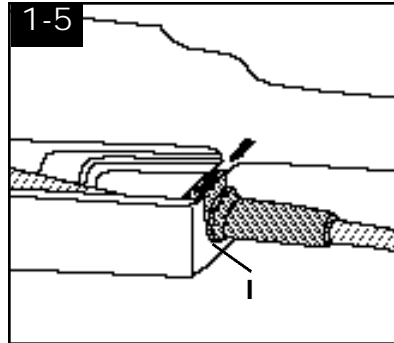
Turn handle over. Insert **large** rectangular end of cord into pocket in bottom of handle, with side marked “UP” visible.

Make sure rectangular end is pushed into the handle as far as possible.

Slide cord protector (G) toward upper handle.

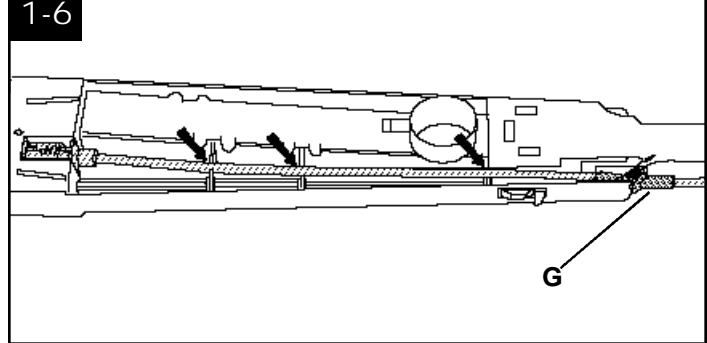


Rotate cord protector on cord until you see its arrow (H).



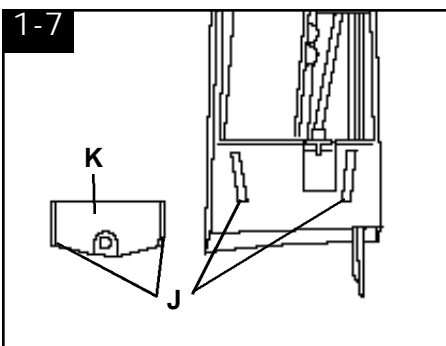
With arrow on cord protector pointing toward arrow on upper handle, press groove (I) in cord protector into slot in upper handle.

Pull cord tight.

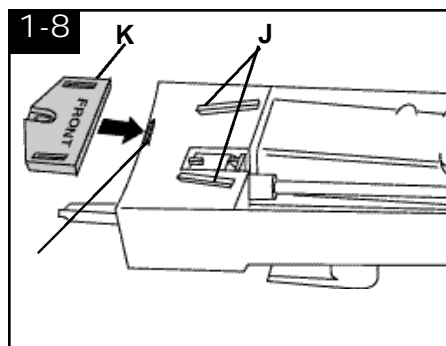


Press cord into place at each of the three notches indicated and note correct positioning of (G).

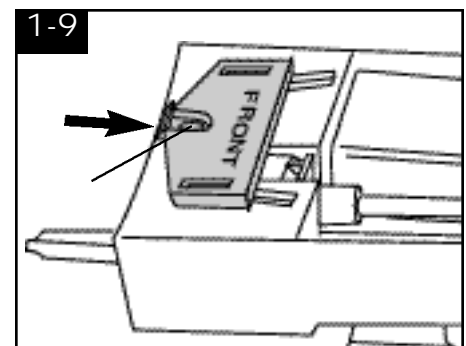
Do not plug cleaner in until assembly is totally complete.



Note location of tapered rails (J) on bracket (K) and on lower handle.

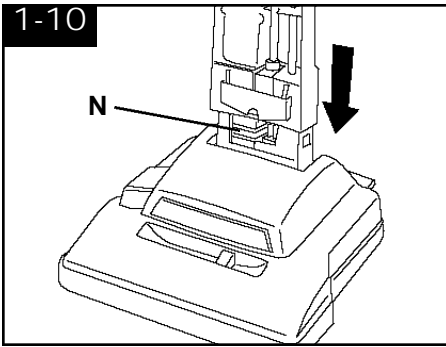


With **printed** side of bracket (K) facing up, slide rails on bracket onto rails (J) on lower handle until bracket snaps past the lock tab (L).



Pull bracket toward bottom of handle slightly to make sure bracket is locked in place.

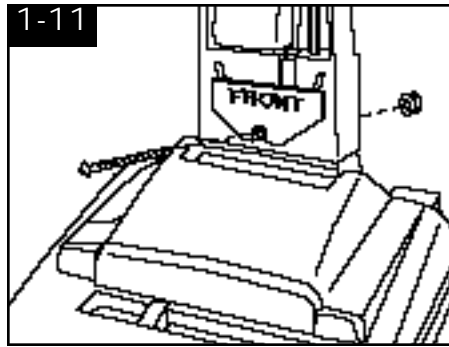
Make sure hole in bracket aligns with hole in handle (M).



Attach handle

With cord hooks to the back, place assembled handle onto handle base of cleaner body (N).

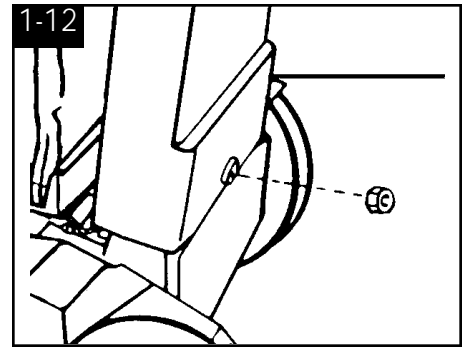
Rock handle side to side while pushing down firmly. Extra pushing effort may be required.



Push bolt into hole on lower front of handle.

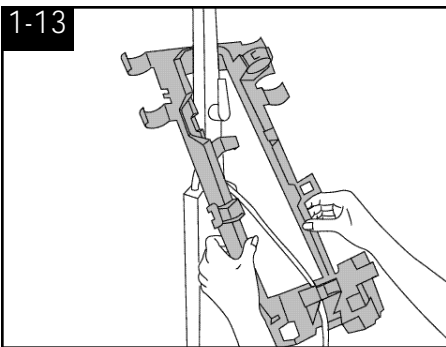
If bolt will not go through hole easily, check the following:

- the bracket is properly positioned (Fig. 1-9)
- the handle is pushed completely down (Fig. 1-10)



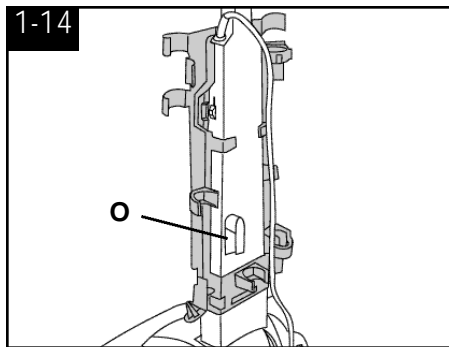
Place **nut** in recessed area at **back of handle**. Hold nut in place while tightening bolt securely with a screwdriver.

Note: Only one nut is needed on this model. The extra nut is not required but has been provided for your convenience.

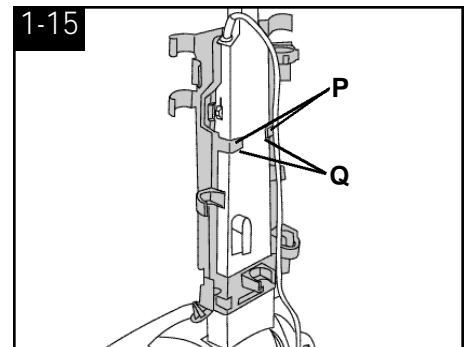


Attach tool rack

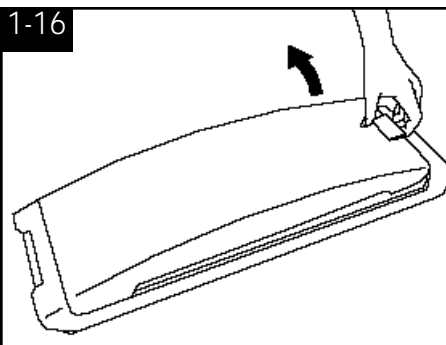
With side of rack marked **TOPFRONT** facing away from cleaner handle, pull cord through rack and lower rack over handle as shown. Slide rack down handle.



Continue to slide rack down until bottom of rack is below lower cord hook (O). Snap one side of rack then the other onto lower handle.

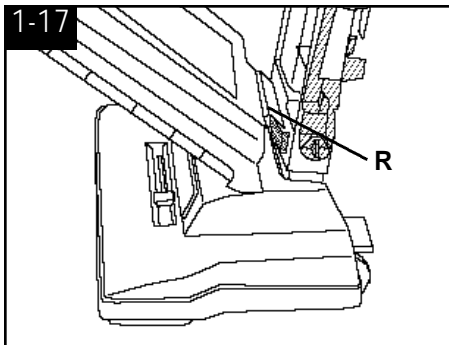


Slide rack down handle until upper hooks (P) snap into slots (Q) on handle.

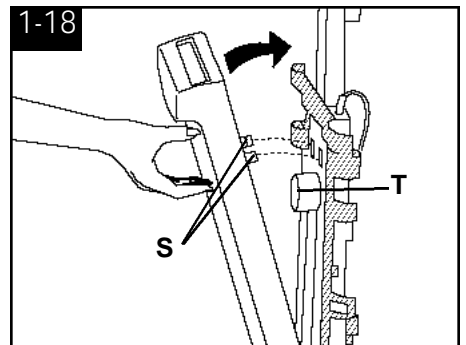


Attach bag compartment

Pull door latch forward and remove door. Set bag door aside.



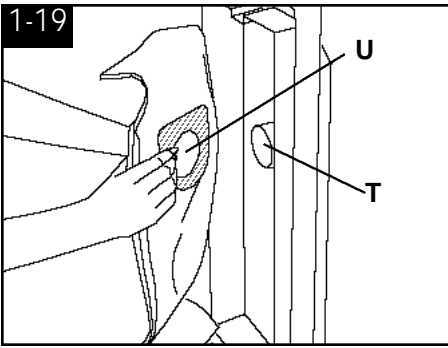
Slide large tab (R) on bottom back of bag compartment into slot between the bracket and the lower handle.



Note round opening and hooks (S) on back of bag compartment. Place opening over dirt tube (T) and align hooks with slots in handle.

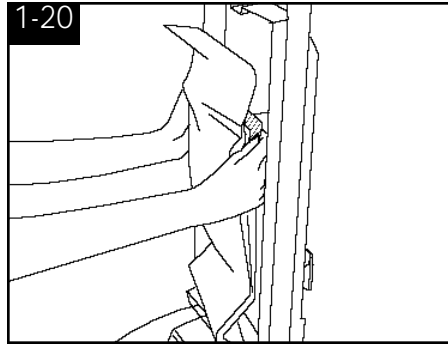
Push very firmly to snap both hooks into handle.

Pull on bag compartment to make sure it is completely snapped to handle.

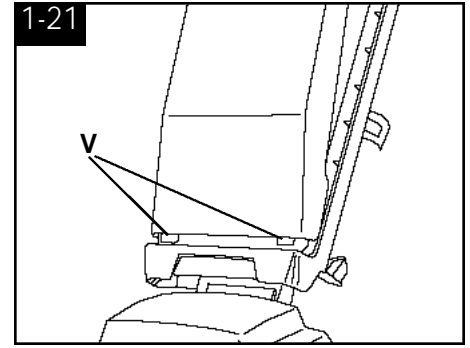


Attach filter bag

Align opening (U) in filter bag with dirt tube (T) inside bag compartment.

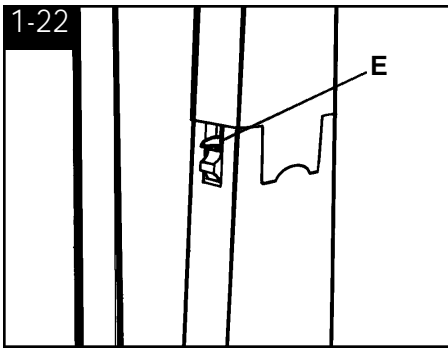


Push bag collar firmly onto dirt tube. Tuck top and bottom of bag into bag compartment.



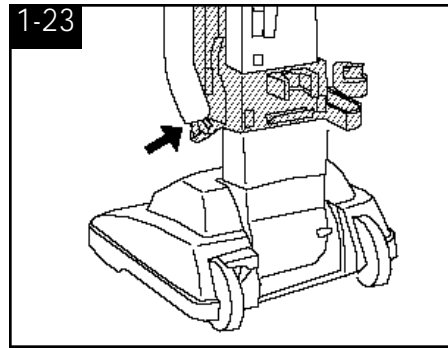
To replace bag door, insert the tabs (V) on bottom of bag door into the slots on bag compartment.

Make sure all edges of paper bag are completely inside the bag compartment. Close door.



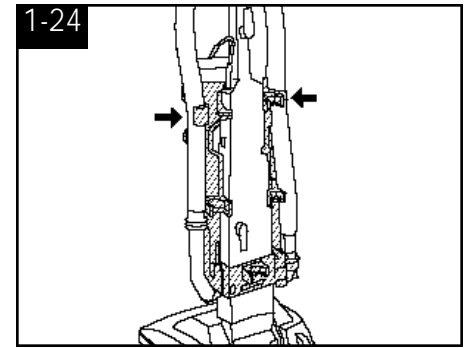
Break off red tab (E) above ON-OFF switch by pushing down on tab.

Note: If tab has come off during assembly make sure switch is in the OFF position (down) before plugging cord into an electrical outlet.

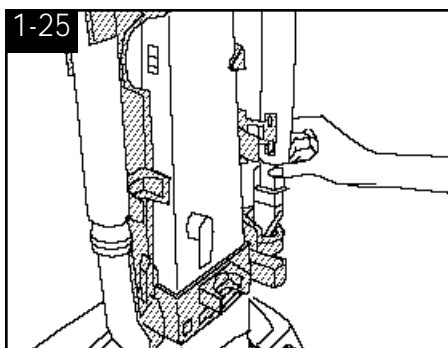


Attach hose and tools

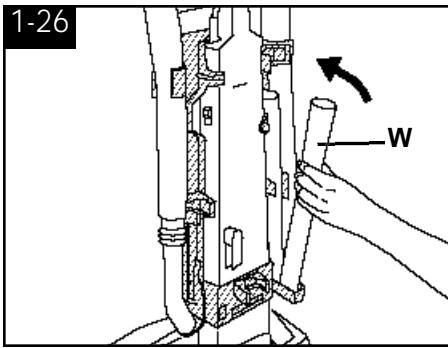
Place round end of hose over round extension on bottom of rack.



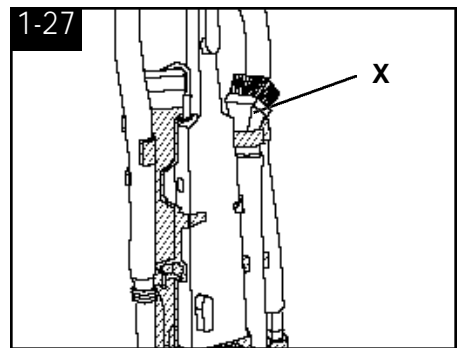
Press hose firmly into rack at upper extensions.



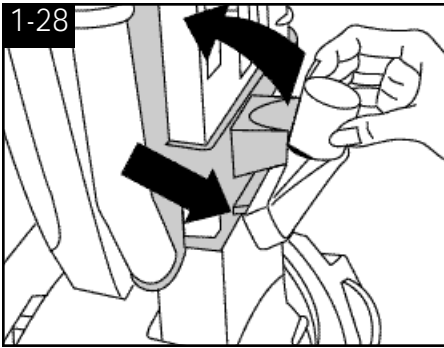
Insert hose connector, with latch toward front of cleaner, into opposite side of rack.



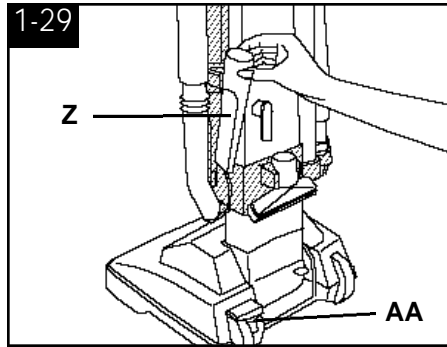
With smaller end toward bottom, snap wand (W) into clips on rack. Second wand (some models only) fits in front of first wand and snaps into outer clips.



Position dusting brush (X) into rack as shown.



Place furniture nozzle (Y) on lip on lower part of rack and snap into place.



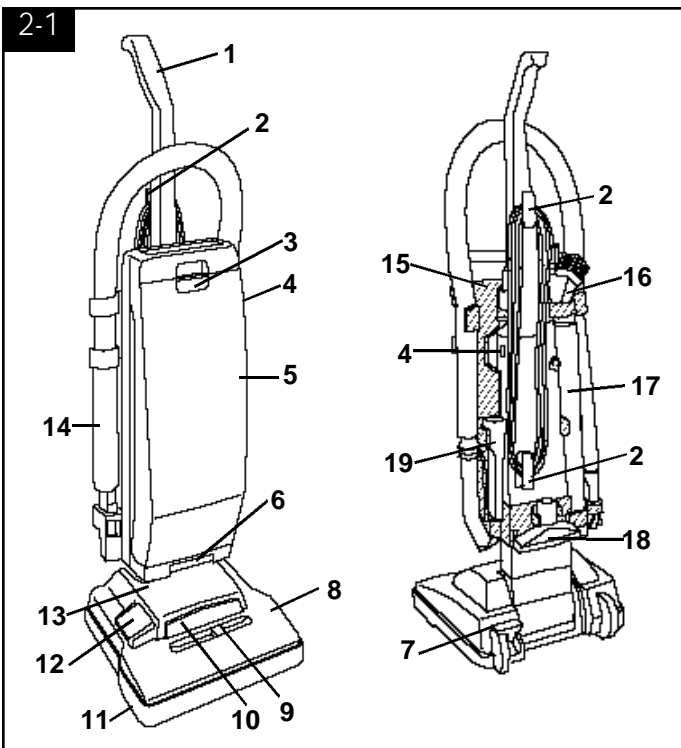
Slide crevice tool (Z) onto projection. Snap into place.

Remove rectangular foam retainer (AA), if present, (part of protective packing material) located under the handle release lever. Discard foam retainer.

CAUTION: When cleaner is turned on, the agitator brush roll will continue to rotate while cleaner handle is in upright position. Avoid tipping cleaner or setting it on furniture, fringed area rugs or carpeted stairs during tool use.

2. How to use

Cleaner description

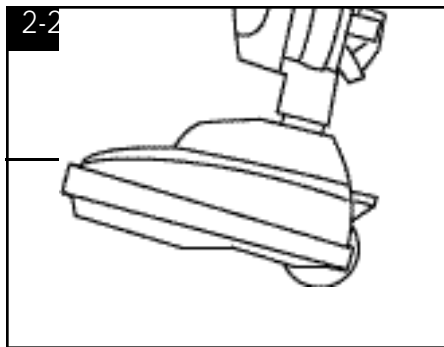


The assembled cleaner will look like the drawing.

- 1. Handle**
- 2. Cord hooks:** wrap cord around hooks for storage. The top hook can be rotated right or left for easy cord release.
- 3. Bag door latch**
- 4. ON/OFF switch:** located on side of handle.
- 5. Bag door**
- 6. Stair cleaning handle:** located on lower edge of bag.
- 7. Handle release lever:** step on lever to lower handle to operating or low position.
- 8. Cleaner body**
- 9. Nozzle control knob:** slide knob to correct setting for height of carpet being cleaned.
- 10. Headlight** (some models only)
- 11. Furniture guard:** helps prevent cleaner from marking furniture.
- 12. Hose door:** open door to connect hose to cleaner.
- 13. Hood**
- 14. Hose**
- 15. Tool rack**
- 16. Dusting brush**
- 17. Wand(s)**
- 18. Furniture nozzle**
- 19. Crevice tool**

Operate cleaner only at voltage specified on bottom plate on bottom of cleaner.

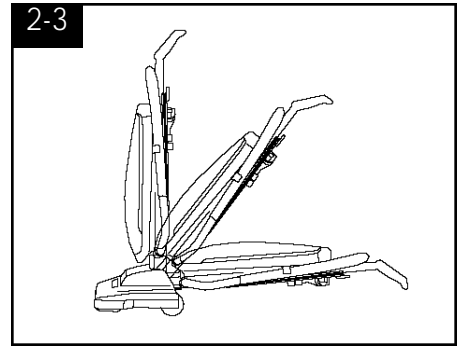
To reduce the risk of electric shock, this appliance has a polarized plug (one blade is wider than the other). This plug will fit in a polarized outlet only one way. If the plug does not fit fully in the outlet, reverse the plug. If it still does not fit, contact a qualified electrician to install the proper outlet. Do not change the plug in any way.



To turn cleaner on, push switch up.
To turn cleaner off, push switch down.

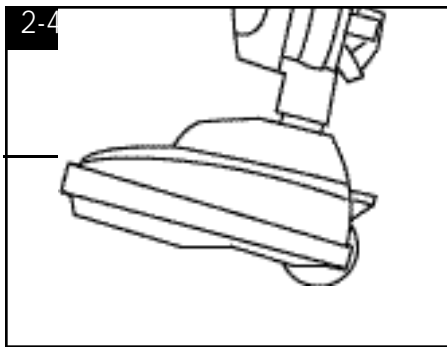
Plug cord into electrical outlet.

Turn cleaner on and, with handle in upright position, pull back on handle until front of cleaner is lifted off the carpet. This insures that the filter bag is inflated.



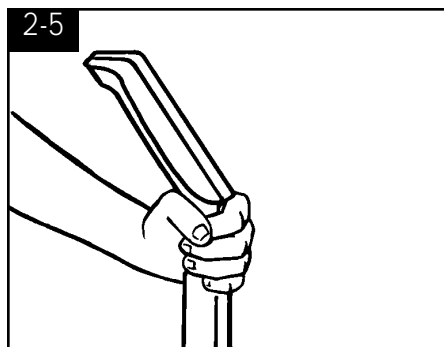
Handle positions

The handle of your cleaner has three positions; **upright** for storage and when using cleaning tools; **operating** for general operation on carpet and floors; **low** for reaching under low furniture. Step on handle release lever to lower handle.

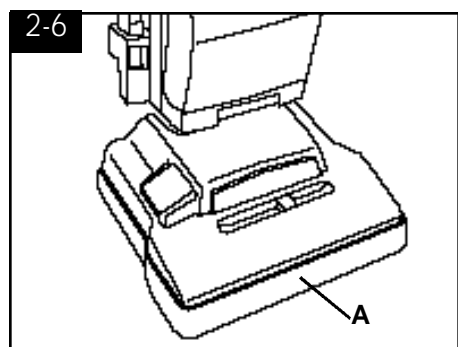


Transporting cleaner

To move your cleaner from room to room, put handle in upright position, tilt cleaner back on rear wheels and push forward.

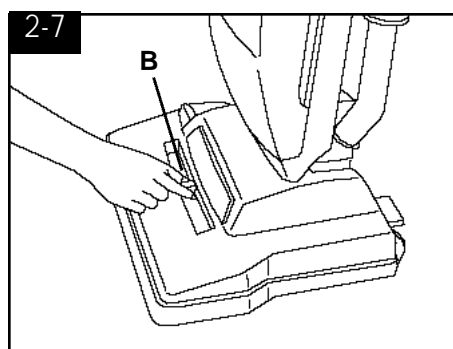


The cleaner can also be moved by lifting it as shown.

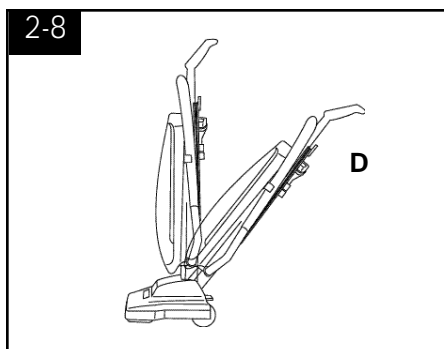


Carpet height adjustment

The cleaning of carpet and rugs takes place at the nozzle (A).



When it is necessary to raise and lower the front of the cleaner for various carpet pile heights, slide the nozzle control (B) knob to the correct setting.



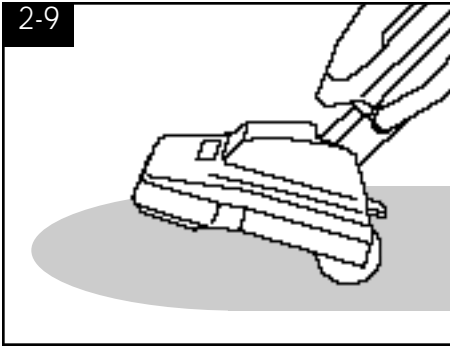
For ease in sliding the control, the handle should be in the upright position (C).

The front of the cleaner will not move into the adjusted position until the cleaner handle is lowered to the operating position (D).

For maximum cleaning performance the following carpet height settings are recommended.

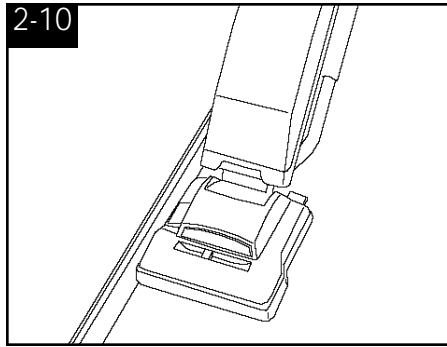
- **Low Setting 1:** for bare floors
- **Setting 2*:** for low pile, level loop, kitchen type, and other similar types of carpet
- **Setting 3*:** for very deep pile carpet

***Note:** If the cleaner is difficult to push, slide the control to the next higher setting.



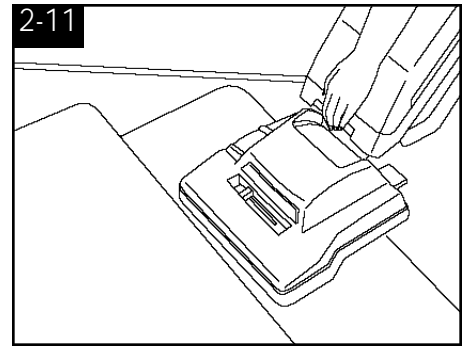
Cleaning lightweight rugs

To clean lightweight flexible rugs, stand on one end of rug and move cleaner toward other end or edge. Before reaching edge, push down on handle. This will lift up the nozzle (front of cleaner) and will prevent rug from clinging to cleaner. Continue to lift up nozzle so that when you have reached the edge, it is completely off the rug. Move cleaner back to start again, lower nozzle, and use only forward strokes.



Edge cleaning

Edge cleaning is provided on both sides of nozzle to remove dirt in carpet near baseboards and furniture. Guide either side of nozzle parallel to edge of carpet or furniture.



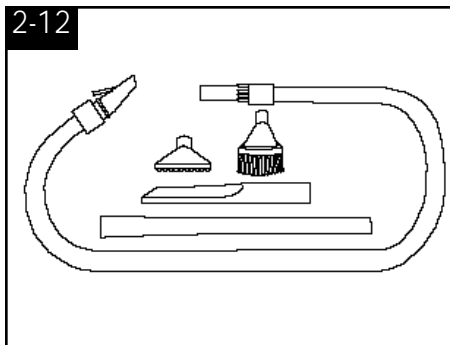
Stair cleaning

A stair cleaning handle has been designed for ease in using your cleaner on stairs. With handle in operating position, place fingers under edge of stair cleaning handle and guide cleaner with other hand on upper handle.

As an alternative, you may use the hose and furniture nozzle for stair cleaning. Clean stairs from bottom to top.

When using cleaning tools, the agitator will continue to rotate.

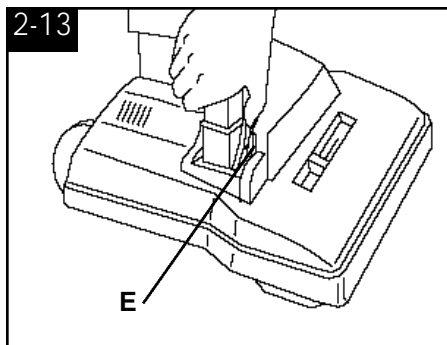
CAUTION: To avoid personal injury or unnecessary wear to carpet, and to prevent the cleaner from falling, use extra care if cleaner is placed on stairs.



Cleaning tools

The tool set includes a hose, wand(s)*, crevice tool, furniture nozzle and dusting brush.

*some models include two wands



Attach hose to cleaner

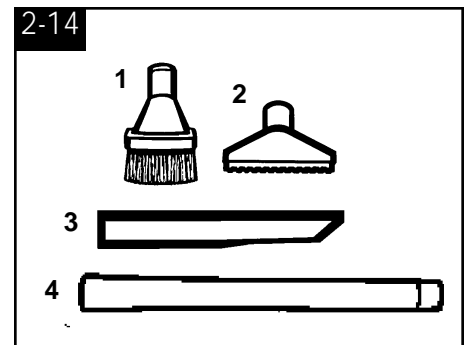
Turn cleaner OFF before attaching or removing hose.

With cleaner handle in **upright position**, open hose door and insert hose connector until locked in position. Suction will automatically be diverted to the hose when cleaner is turned on.

To remove hose, press latch (E) on hose connector and pull up.

Note: Hose must be removed from hose door when cleaning carpet and rugs to insure proper cleaning performance.

CAUTION: Agitator continues to rotate while cleaner handle is in upright position. Avoid tipping cleaner or setting it on furniture, fringed area rugs, or carpeted stairs during tool use.



Select proper tool

1. Dusting brush may be used for carved furniture, table tops, books, lamps, lighting fixtures, venetian blinds, baseboards, shutters, and registers.

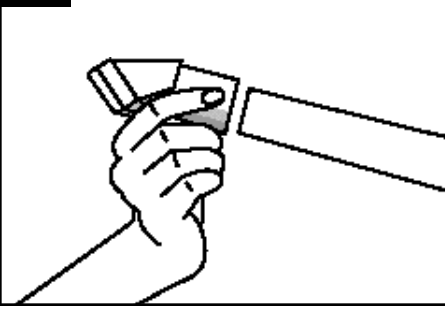
2. Furniture nozzle may be used for upholstered furniture, draperies, tapes-tries, mattresses, clothing, automobile interiors, and carpeted stairs.

3. Crevice tool may be used in tight spaces, corners and along edges in such places as dresser drawers, upholstered furniture, stairs, and baseboards.

4. Wand(s)* used to give extra length to your hose. Use it with any of the above tools.

*some models include two wands

2-15



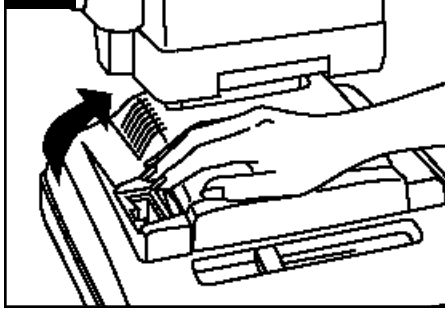
Attach wand and tools

The tools are attached to the hose or the wand in the same manner.

Push tool firmly onto hose; twist tool slightly to tighten or loosen connection.

Use cleaning tools with cleaner handle in upright position.

2-16



Clearing obstructions

To check for obstructions, **first turn cleaner off and disconnect from electrical outlet; then disconnect hose from cleaner.** Open hose door and carefully remove any visible obstruction. If no obstruction is found, check hose and tools.

Remove obstruction. To continue using tools, re-attach hose to cleaner. If no obstruction is found and a problem persists, contact your Hoover Factory Service Center or an Authorized Warranty Service Dealer (Depot).

To clean tools

To clean the hose, wipe off dirt with a cloth dampened in a liquid detergent. Rinse with a damp cloth. Cleaning tools may be washed in warm water with a detergent. Rinse and air dry before using.

3. Maintenance

The following sections are concerned with proper maintenance of the cleaner. Familiarize yourself with these home maintenance tasks and keep this owner's manual in a convenient place where you can refer to it when needed. Proper use and care of your cleaner will ensure continued cleaning effectiveness.

The bag

When to replace

Check bag from time to time. It is recommended that you change the filter bag when dirt reaches the dotted line. If more dirt than this accumulates, your cleaner may not operate effectively.

CAUTION: Very fine materials, such as face powder, cornstarch, fireplace ashes or fireplace soot, may seal the paper bag and may cause it to burst even though it is only partially full of dirt. When cleaner is used to remove material of this nature, change bag often.

Where to buy

Filter bags may be purchased from your local Authorized Hoover Dealer (Depot), Leading Retailers, from Hoover Factory Service Centers, using the order form packed with your cleaner, or through The Hoover Company online at www.hoover.com.

When ordering bags, be sure to give the model number of your cleaner.

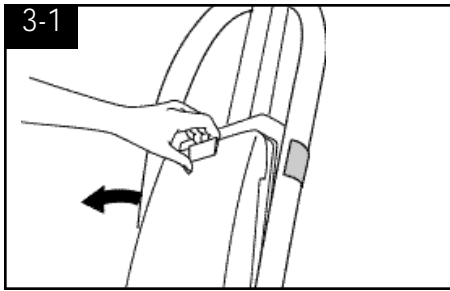
What to buy

For improved cleaning effectiveness, use only **Genuine HOOVER Allergen Filtration Type A** disposable bags with your cleaner.

Regular **HOOVER® Type A** disposable bags also fit your cleaner.

To assure that your cleaner operates at peak performance, it is imperative that you use only genuine HOOVER filter bags distributed by The Hoover Company. HOOVER bags can be identified by these trademarks -





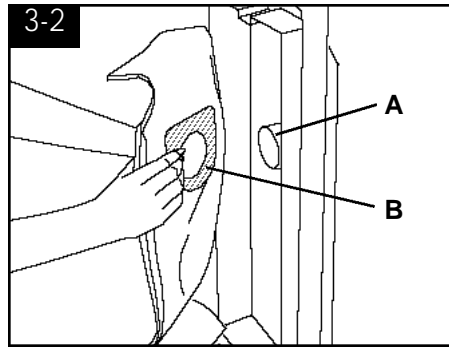
Changing filter bag

Disconnect cleaner from electrical outlet.

Removing bag door

Pull bag door latch forward and remove door from cleaner. Grasp sides of bag collar and pull collar from tube.

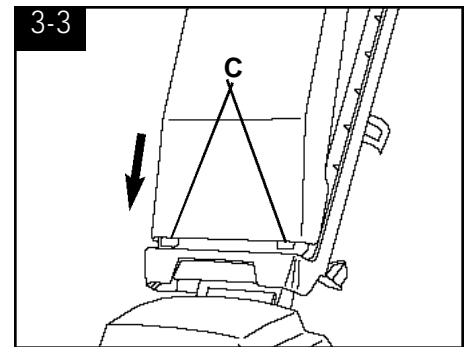
Note: Do not clean out old bag and reuse. Discard used bag.



Installing filter bag

Align opening in new filter bag with dirt tube (A) inside bag compartment. Push bag collar (B) firmly onto dirt tube.

Tuck top and bottom of bag into bag compartment.



Replacing bag door

To replace bag door, insert the tabs (C) on bottom of bag door into the slots on bag compartment.

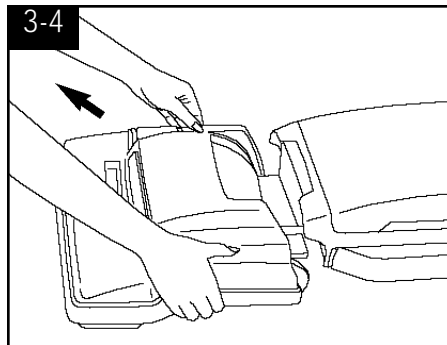
Make sure all edges of paper bag are completely inside the bag compartment.

Close door.

The headlight

(some models only)

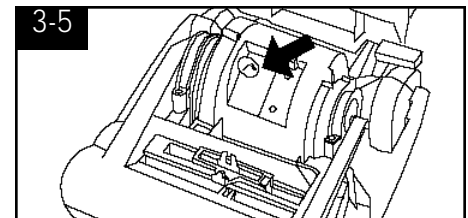
What to buy This cleaner uses a 12 volt, wedge base type 912 bulb, Hoover **Part No. 27313-101.**



How to replace

Disconnect cleaner from electrical outlet.

To remove hood, refer to Figs. 3-10 to 3-12.



Remove bulb by pulling straight out of socket; push new bulb into socket until it locks in place.

Place hood on cleaner body and press firmly to snap all four latches.

Pull up on hood slightly to make sure all four latches are secured.

Push nozzle control knob back onto front of cleaner.

The belt

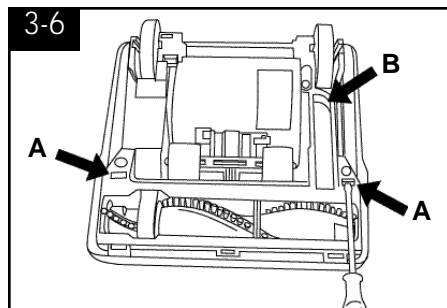
The belt on your HOOVER cleaner causes the agitator to rotate and is important for the effective operation of the cleaner. The belt is located under the bottom plate of the cleaner and should be checked from time to time to be sure it is in good condition.

When to replace

To check belt, remove bottom plate as shown in "How to replace belt. Replace belt if it is stretched, cut or broken.

What to buy

To assure effective operation, use only genuine HOOVER belts with your cleaner. When purchasing a new belt, ask for Hoover part **No. 40201190.**



How to replace

Removing bottom plate

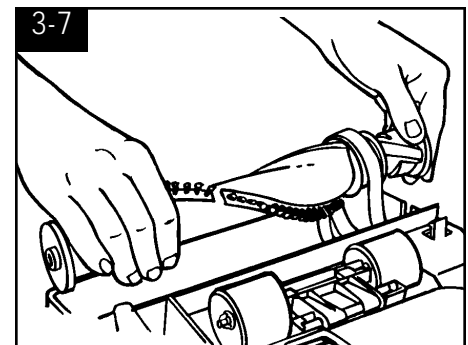
Disconnect cleaner from electrical outlet.

Place handle in operating position and turn cleaner over so bottom side is up.

To remove bottom plate, insert end of flat screwdriver into wide area of right-hand slot (A) and push handle of screwdriver to the rear.

Repeat in left-hand slot (A).

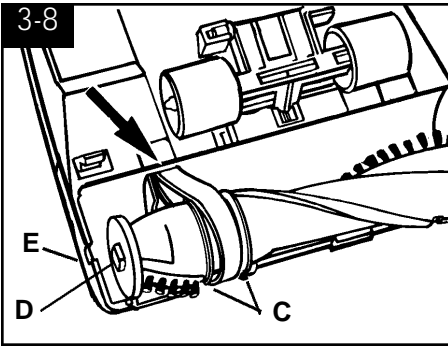
Lift extension of bottom plate (B), rotate plate and remove from cleaner body.



Removing used belt

Remove agitator and broken agitator belt.

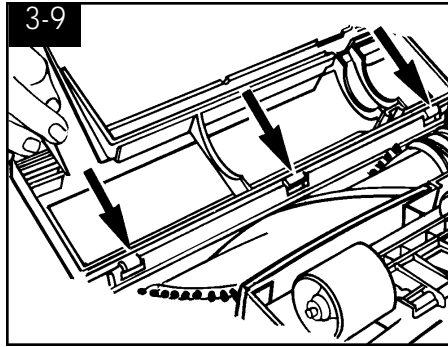
(If belt is not broken but is stretched or cut, proceed with Fig. 3-10 and pull belt off motor pulley. Then continue with Fig. 3-8.)



Positioning belt and agitator

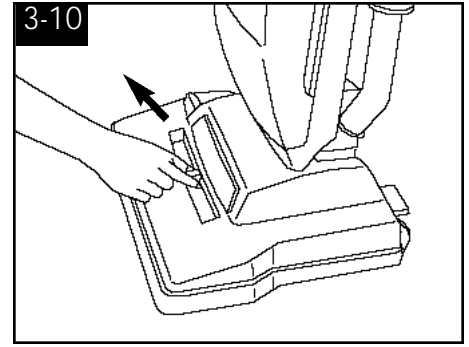
Slip agitator through new belt (**with lettering toward outside of cleaner**) and position belt in belt guide (C). Push end of belt into opening in cleaner body.

Reposition agitator making sure to align flat sides of projection (D) on belt end of agitator with flat sides of slot (E) in cleaner body.



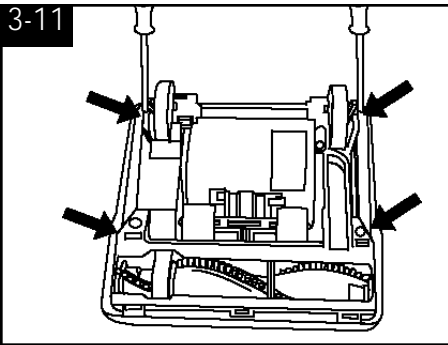
Replacing bottom plate

Place the three tabs on bottom plate into slots in front of cleaner body. Snap bottom plate into place over agitator.



Removing hood

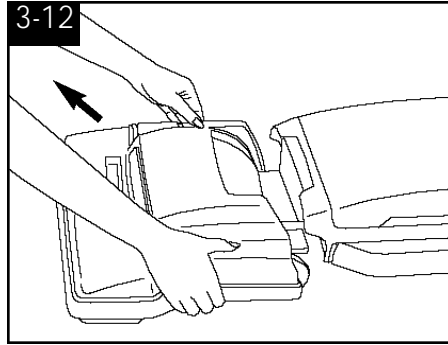
Remove hood by turning cleaner over and removing nozzle control knob on front of hood, grasp knob and pull up.



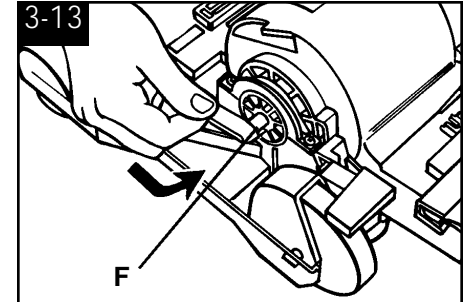
Place handle in operating position and turn cleaner over.

Insert end of flat screwdriver into one of the four slots beside an arrow on bottom of cleaner.

For slots nearest the rear wheels, push handle of screwdriver toward cleaner handle; for remaining two slots, pry outward to release latches.



Turn cleaner over and lift off hood.



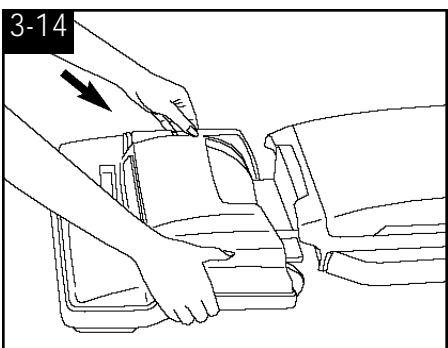
Positioning belt onto pulley

Stretch new belt onto motor pulley (F).

Extra effort may be required to stretch new belt onto pulley.

Turn agitator, making sure the belt is not pinched between agitator and cleaner body. The belt must rotate freely inside the belt guide.

If agitator does not turn, remove bottom plate and reposition belt in belt guide.



Reposition hood

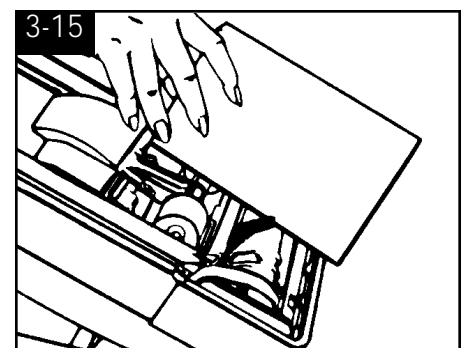
Replace hood and nozzle control knob.

The agitator

When to replace

Disconnect cleaner from electrical outlet.

When agitator brushes are worn, the agitator should be replaced.



To check condition of brushes, move edge of card across bottom plate while turning agitator.

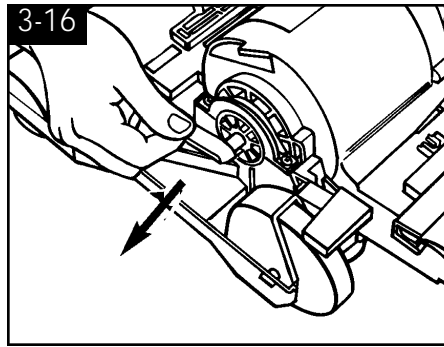
To maintain cleaning effectiveness, replace agitator if brushes do not touch card.

What to buy

The agitator may be replaced with either a single or double row of brushes.

Single row of brushes -
Hoover part **No. 48414-051**,

Double row of brushes -
Hoover part **No. 48414-049**.



How to replace

Disconnect cleaner from electrical outlet.

Remove hood as shown in Figs. 3-10 - 3-12 of "How to replace belt".

Pull belt off motor pulley as shown above.

Remove bottom plate as shown in Fig. 3-6 of "How to replace belt".

Remove agitator from cleaner and discard.

Reposition belt and new agitator beginning with Fig. 3-8.

4. If you have a problem

This appliance was inspected thoroughly and was in good operating condition when it was shipped from the factory. If a minor problem occurs, it usually can be solved quite easily when the cause is found. Therefore, this check list is provided for your convenience.

Problem: Cleaner won't run

Possible cause

Possible solution

- **Not firmly plugged in.**
- Plug in firmly.
- **No voltage in wall plug.**
- Check fuse or breaker.
- **Blown fuse/tripped breaker.**
- Replace fuse/reset breaker.

Problem: Cleaner won't pick up

Possible cause

Possible solution

- **Broken or worn belt.**
- Replace belt.
- **Agitator brush roll worn.**
- Replace brush roll.
- **Bag full.**
- Change paper bag.
- **Incorrect carpet height settings.**
- Move nozzle control knob to type of carpet being cleaned.

Problem: Cleaning tools won't pick up

Possible cause

Possible solution

- **Hose clogged.**
- Remove hose and tools; remove obstruction.
- **Hose connector inserted incorrectly.**
- Re-insert hose connector properly (see page 9.)

Problem: Cleaner hard to push

Possible cause

Possible solution

- **Incorrect carpet height settings.**
- Move nozzle control knob to type of carpet being cleaned.

Lubrication

The motor is equipped with bearings which contain sufficient lubrication for the life of the motor. The addition of lubricant could cause damage. **Do not add lubricant to motor bearings.**

The agitator is equipped with two ball bearings that should be lubricated periodically by a Hoover Factory Service Center or an Authorized Hoover Warranty Service Dealer (Depot).

Service

To obtain approved HOOVER service and genuine HOOVER parts, locate the nearest

Hoover Factory Service Center or Authorized Hoover Warranty Service Dealer(Depot) by:

- checking the Yellow Pages under "Vacuum Cleaners -Household" OR-
- checking the list of Factory Service Centers provided with this cleaner OR-
- visiting our web site at www.hoover.com OR -
- calling **1-800-944-9200** for an automated referral of authorized service outlet locations (U.S. only).

Do not send your cleaner to The Hoover Company in North Canton for service, this will only result in delay.

If further assistance is needed, contact The Hoover Company Consumer Response Center, North Canton, Ohio 44720
Phone: 330-499-9499.

In Canada, contact Hoover Canada, Burlington, Ontario L7R 4A8,
Phone: 1-800-263-6376.

Always identify your cleaner by the **complete** model number when requesting information or ordering parts. (The model number appears on the bottom of the cleaner.)

Hoover Cleaning Performance

This Hoover Cleaning Performance System is for comparing the relative progressive performance of **Hoover uprights only** and not for comparison with any other brands. The majority of this rating is based upon the American Society for Testing and Materials (ASTM) Carpet Cleaning Effectiveness Test (ASTM Test F608). Other performance factors include Hose Power (ASTM Test F558), Surface Litter Cleaning, Hard Floor Cleaning, Edge Cleaning, Cleaning Width, and Air Filtration.

Full One Year Warranty (Domestic Use)

Your HOOVER® appliance is warranted in normal household use, in accordance with the Owner's Manual against original defects in material and workmanship for a period of one full year from date of purchase. This warranty provides, at no cost to you, all labor and parts to place this appliance in correct operating condition during the warranted period. This warranty applies when the appliance is purchased in the United States including its territories and possessions, or in Canada or from a U. S. Military Exchange. Appliances purchased elsewhere are covered by a limited one year warranty which covers the cost of parts only. This warranty does not apply if the appliance is used in a commercial or rental application.

Warranty service can only be obtained by presenting the appliance to one of the following authorized warranty service outlets. Proof of purchase will be required before service is rendered.

1. Hoover Factory Service Centers.

2. Hoover Authorized Warranty Service Dealers (Depots)

For an automated referral of authorized service outlets in the U.S.A., phone 1-800-944-9200 OR visit The Hoover Company online at www.hoover.com.

This warranty does not cover pick up delivery, or house calls; however, if you mail your appliance to a Hoover Factory Service Center for warranty service, transportation will be paid one way.

While this warranty gives you specific legal rights, you may also have other rights which vary from state to state.

If further assistance is needed, or if there are questions concerning this warranty or the availability of warranty service outlets, write or phone the Consumer Response Center, The Hoover Company, 101 East Maple St., North Canton, Ohio 44720. Phone 1-330-499-9499.

In Canada, contact Hoover Canada, Burlington, Ontario L7R 4A8, 1-800-263-6376.

HOOVER and  are registered trademarks