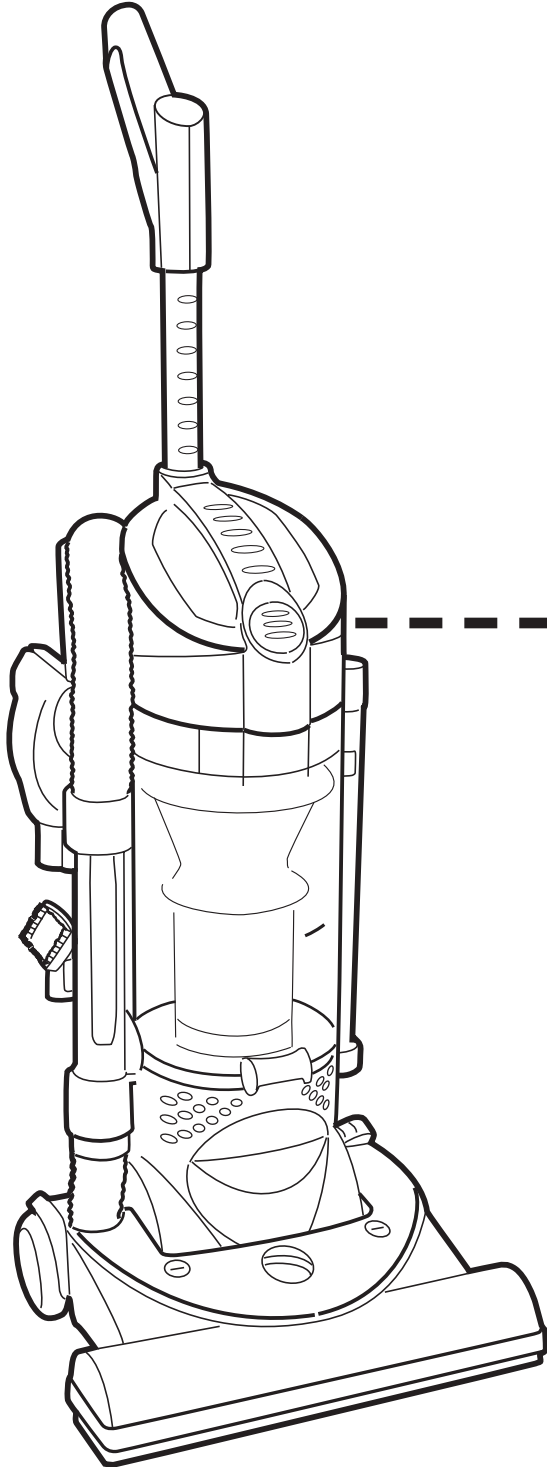


HOOVER[®]



FUSION[™]

Cyclonic Filtration System



Owner's Manual

ENGLISH → pp. 1-12

ESPAÑOL → pág 13-19

FRANÇAIS → p. 20-26

**This product was designed for
easy assembly (see page 3)**

**Review this manual before
operating the cleaner.**

Review this manual before operating cleaner

Thank you for choosing a HOOVER® product

Please enter the COMPLETE model and serial numbers in the spaces provided.

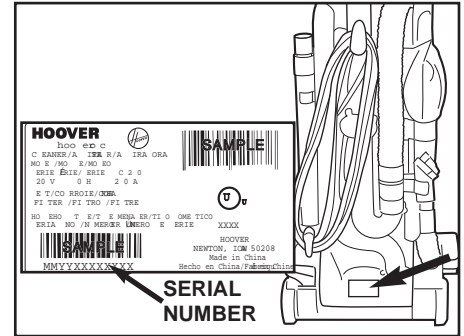
Model _____

Serial number _____

Hint: Attach your sales receipt to this owner's manual.

Verification of date of purchase may be required for warranty service of your HOOVER product.

Be sure to fill out and return the product registration card included with your cleaner (see back cover).



Contents

Assembling Cleaner	3
Carton Contents	3
Cleaner Descriptions	4
How To Use	4-6
Cleaning Tools	6
If You Have a Problem	10
Important Safeguards	2
Lubrication	9
Maintenance	6-10
Authorized Service	10
Cleaning Filters	7-8
Clearing Blockages	11
Emptying Dirt Cup	6-7
Replacing Agitator Brush Roll	9
Replacing Belt	8-9
Replacing Headlight	8
Thermal Protector	10
Warranty	12

Important Safeguards!

When using an electrical appliance, always follow basic precautions, including the following:
READ ALL INSTRUCTIONS BEFORE USING THIS APPLIANCE

WARNING: To reduce the risk of fire, electric shock, or injury:

- Do not use outdoors or on wet surfaces.
- Close supervision is necessary when any appliance is used by or near children. Do not allow vacuum cleaner to be used as a toy or to run unattended at any time.
- Keep hair, loose clothing, fingers, feet and all parts of body away from openings, rotating agitator and other moving parts. Do not operate cleaner in bare feet or when wearing open toe shoes or sandals.
- Do not pick up anything that is burning or smoking, such as cigarettes, matches, or hot ashes.
- Do not use to pick up flammable or combustible materials such as gasoline or fine wood sandings or use in areas where they may be present.
- Avoid picking up hard, sharp objects with the cleaner. They may damage the cleaner.
- Always turn off this appliance before connecting or disconnecting hose.
- Do not use without dirt cup or filters in place. Empty cup and clean filter frequently when picking up very fine materials such as powder.
- Use extra care when cleaning on stairs.
- Do not put any object into openings. Do not use with any opening blocked; keep free of dust, lint, hair, or anything that may reduce air flow.
- Do not pull or carry by cord, use cord as a handle, close door on cord or pull cord around sharp edges or corners. Do not run appliance over cord. Keep cord away from heated surfaces.
- Always disconnect cord from electrical outlet before servicing the cleaner.
- Unplug cleaner when not in use. Turn off all controls before unplugging.
- Do not unplug by pulling on cord. To unplug, grasp the plug, not the cord. Never handle plug or appliance with wet hands.
- The use of an extension cord is not recommended.
- Do not use with damaged cord or plug. If appliance is not working as it should, has been dropped, damaged, left outdoors, or dropped into water, take it to a Hoover Sales and Service Center or Authorized Hoover Warranty Service Dealer (Depot).
- Use vacuum cleaner only for its intended use as described in the instructions. Use only attachments recommended by The Hoover Company; others may cause hazards.

WARNING: This product contains chemicals known to the State of California to cause cancer. *Wash hands after handling.*



© 2005 The Hoover Company
www.hoover.com

Save these instructions!

If you need any assistance:

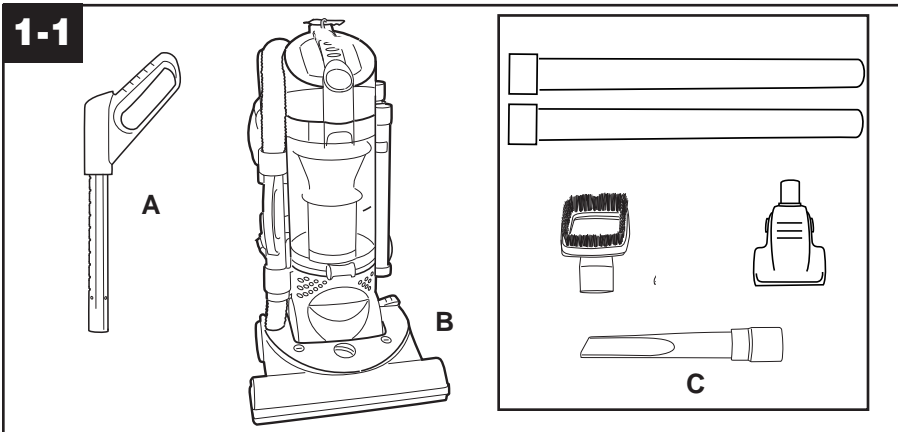
Visit our website at www.hoover.com. Click on the "Service" button to find the service outlet nearest you OR

Call **1-800-944-9200** for an automated referral of authorized service outlet locations (U.S. only) OR Call 1-330-499-9499 to speak with a representative in our Consumer Response Center.

Please do not return this product to the store.

1. Cleaner assembly

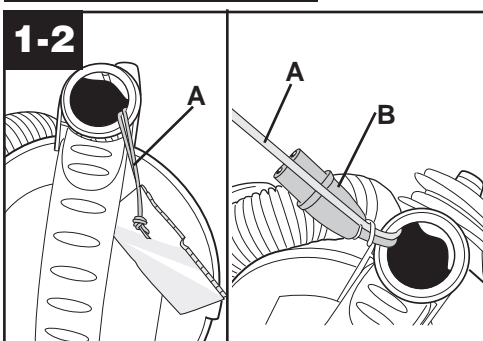
Carton contents



- A. Handle section
- B. Cleaner body
- C. Cleaning tools and wands

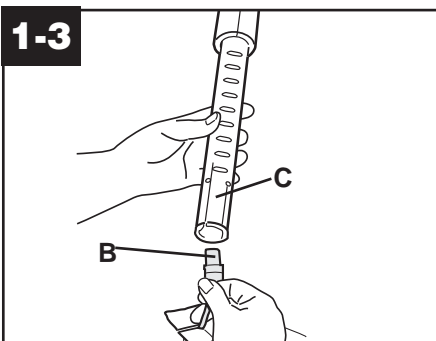
Remove all parts from carton and identify each item shown. Make sure all parts are located before disposing of packing materials.

Attach handle



Grasp orange tie wrap (A) and pull until the black plug (B) comes out of the handle cavity.

DO NOT remove orange tie wrap until step 1-3 is complete.

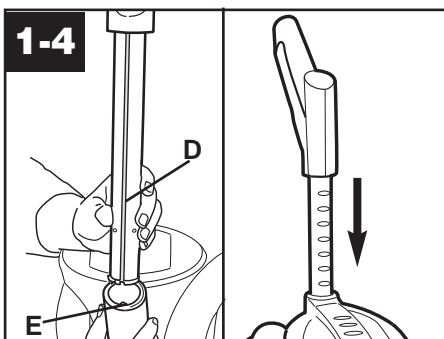


Hold plug (B) with one hand; upper handle (C) with other hand. Push plug into upper handle, aligning with opposite end of plug and push firmly **until you hear a snap**. After ends are connected, lightly pull on plug to make sure it is securely attached.

Note: The plug will only fit together one way. If plug is not fitting together, check alignment of ends.

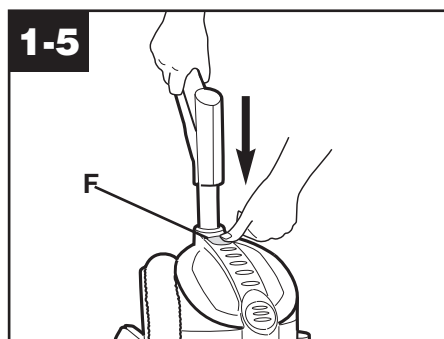
After the plug ends are fully connected, the orange tie wrap (A) must be removed.

Use caution so as NOT TO CUT the black power cord. Discard the orange tie wrap.

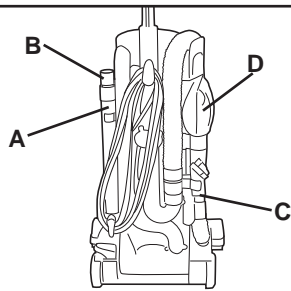


Align the groove (D) on the back of the **upper** handle with the small projection (E) on the back of the handle housing.

Push upper handle down until you hear a click.



Press button (F) at handle base and push handle all the way down.

1-6

Position tools

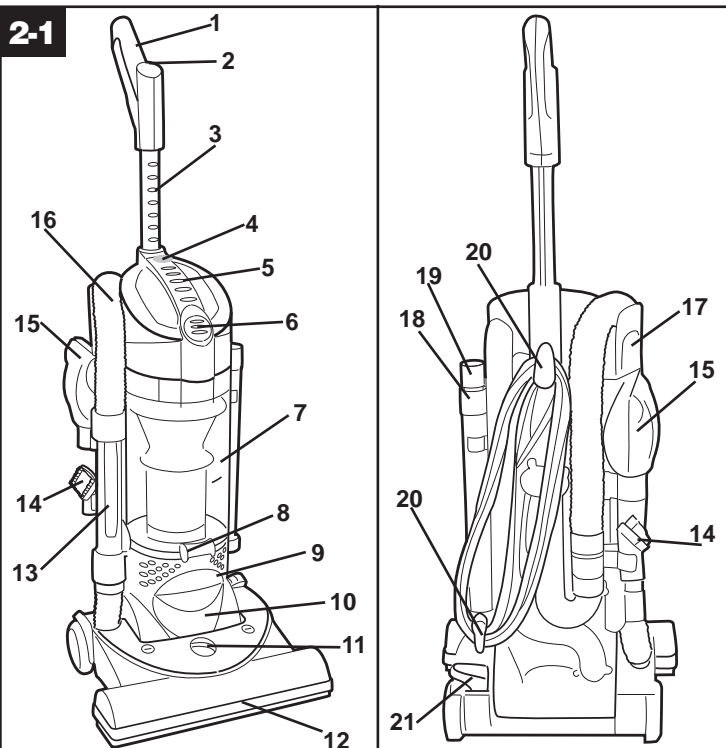
Place smaller diameter end of wand (A) into bottom of rack. Snap wand into clip at top. Repeat with other wand.

Crevice tool (B) fits into one of the extension wands.

Snap combination tool (C) and powered hand tool (D) into storage areas on back of cleaner as shown.

2. How to use

Cleaner description

2-1

1. Handle grip
2. ON/OFF switch
3. Telescoping handle
4. Handle release button
5. Carrying handle
6. Dirt cup release button
7. Dirt cup assembly
8. Dirt cup door hinge
9. Stair cleaning handle: located below lower edge of dirt cup.
10. Headlight
11. Nozzle control knob: turn knob to correct setting for height of carpet being cleaned.
12. Furniture guard: helps prevent cleaner from marking furniture.
13. Hose handle
14. Combination tool
15. Powered hand tool
16. Hose
17. Hose/tool holder

18. Wands
19. Crevice tool
20. Cord hooks: wrap cord around hooks for storage. Top hook can be rotated right or left for easy cord release.
21. Handle release pedal: step on lever to lower handle to operating or low positions.

Operate cleaner only at voltage specified on data plate on back of cleaner.

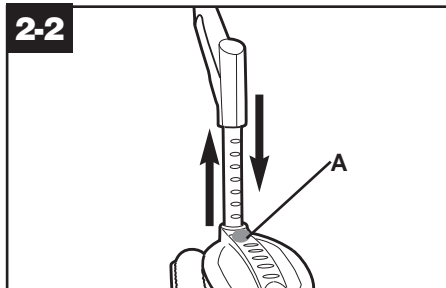
This cleaner is intended for household use.

Polarized plug

To reduce the risk of electric shock, this appliance has a polarized plug (one blade is wider than the other). This plug will fit in a polarized outlet only one way. If the plug does not fit fully in the outlet, reverse the plug. If it still does not fit, contact a qualified electrician to install the proper outlet. Do not change the plug in any way.

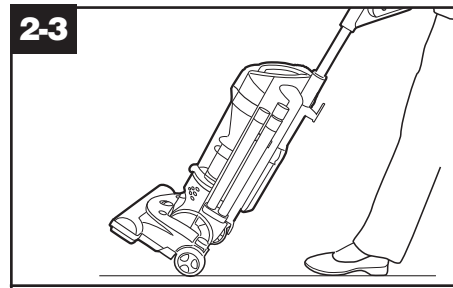
ON-OFF switch

Plug cord into electrical outlet. To turn cleaner ON, push ON/OFF switch once. To turn cleaner OFF, push switch again.

2-2

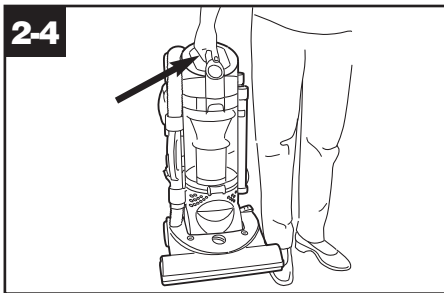
Telescoping handle

For convenience in storing or carrying your cleaner, the handle is designed to retract into the body of the cleaner. Lower the handle by depressing the button (A) located at the handle base and pushing the handle down. Raise the handle by depressing the button and pulling the handle upward, locking it into the desired position.

2-3

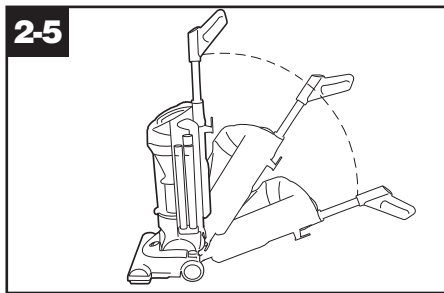
Transporting cleaner

To move your cleaner from room to room, put handle in upright position, tilt cleaner back on rear wheels and push forward.



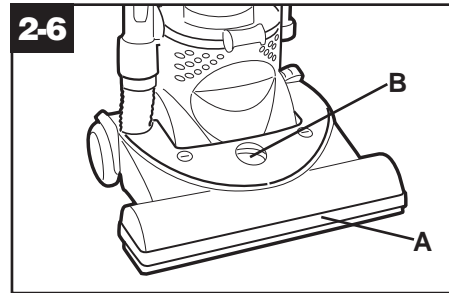
2-4 Carrying cleaner

The cleaner can also be moved by using the carrying handle.



2-5 Handle positions

The handle of your cleaner has three positions; **upright** for storage and when using cleaning tools; **operating position** for general operation on carpet and floors; **low** for reaching under low furniture. Step on handle release lever to lower handle.

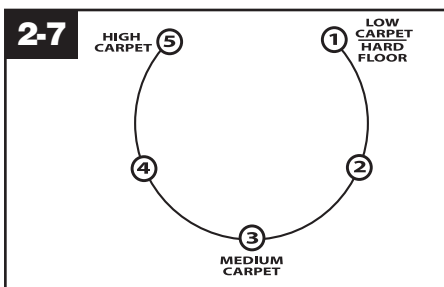


2-6 Carpet height adjustment

The cleaning of carpet and rugs takes place at the nozzle (A).

When it is necessary to raise and lower the nozzle for various carpet pile heights, place handle in upright position and turn the nozzle control knob (B) to the desired setting.

The nozzle will not move into the adjusted position until the cleaner handle is lowered to the operating position.



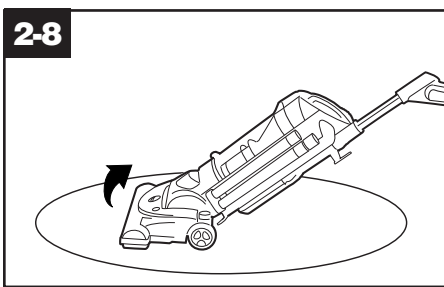
2-7 Settings

For maximum cleaning performance, the following carpet height settings are recommended:

- **Lowest setting:** for all types of carpet.

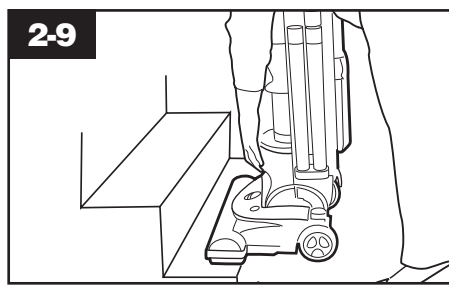
Note: If the cleaner is difficult to push, turn knob to the next higher setting.

- **Higher settings:** for very deep pile carpet, where easier pushing effort is desired, while maintaining good cleaning performance.



2-8 Cleaning lightweight flexible rugs

Stand on one end of rug and move cleaner toward other end or edge. Before reaching edge, push down on handle. This will lift up the nozzle (front of cleaner) as shown and will prevent rug from clinging to cleaner. Continue to lift up nozzle so that when you have reached the edge, it is completely off the rug. Move cleaner back to start again, lower nozzle, and use only forward strokes.



2-9 Stair cleaning

A stair cleaning handle has been designed for ease in using your cleaner on stairs. With handle in operating position, place fingers under edge of stair cleaning handle (A) and guide cleaner with other hand on upper handle.

As an alternative, you may use the hose and power hand tool for stair cleaning. Clean from bottom to top.

When using cleaning tools, the agitator will continue to rotate.

CAUTION: To avoid personal injury or unnecessary wear to carpet, and to prevent the cleaner from falling, always place it at bottom of stairs.

Cleaning tools

Tools allow for cleaning surfaces above the floor and for reaching hard to clean areas.

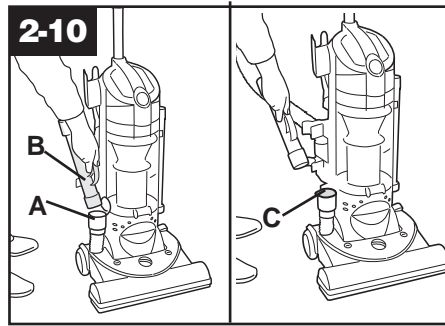
The cleaner is ready for tool use when **handle is in upright position**.

CAUTION: The agitator continues to rotate while cleaner handle is in upright position. Avoid tipping cleaner or setting it on furniture, fringed area rugs or carpeted stairs during tool use.

How to clean tools

To clean the hose, wipe off dirt with a cloth dampened in a mild detergent. Rinse with a damp cloth.

Cleaning tools may be washed in warm water with a detergent. Rinse and air dry before using.

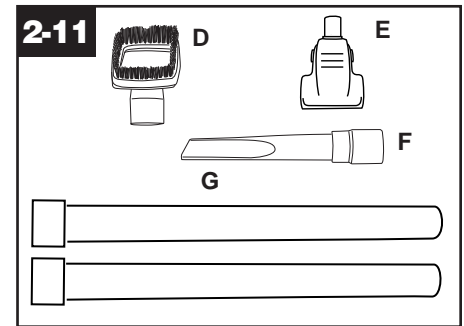


Removing hose

When using cleaning tools, **cleaner handle should be in the upright position**. Also, **turn cleaner OFF before disconnecting and connecting hose to hose tube (A)**.

To use hose, lift hose end (B) as shown. Check to be sure the hose tube cover (C) is closed over the hose tube.

When you are finished cleaning with the tools, lift cover from hose tube and reposition hose end into tube.



Select proper tool

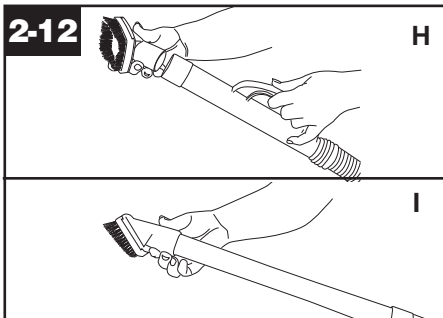
D. Combination tool use with brush for carved furniture, table tops, books, lamps, lighting fixtures, venetian blinds, baseboards, shutters, and registers.

Remove brush to clean upholstered furniture, draperies, mattresses, clothing, and carpeted stairs.

E. Powered hand tool may be used for upholstered furniture, draperies, mattresses, clothing, automobile interiors, and carpeted stairs.

F. Crevice tool may be used in tight spaces, corners and along edges in such places as dresser drawers, upholstered furniture, stairs and baseboards.

G. Wands are used to give extra length to your hose. Use them with any of the above tools.

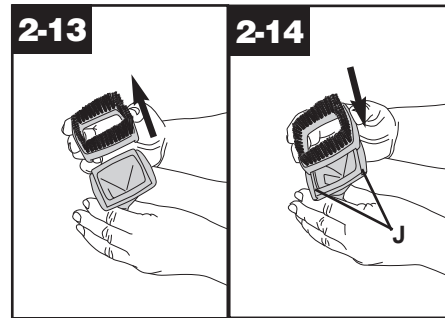


Attach wand and tools

Attach tool or wand to the hose (H).

Attach tool to wand (I) by pushing it firmly onto the wand.

Twist wand or tool slightly to tighten or loosen the connection.



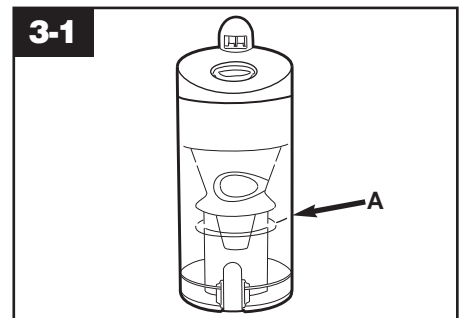
Combination tool

Slide brush to remove.

To replace brushes, align bottom of brush with grooves (J) on tool. Slide brush into place.

3. Maintenance

Familiarize yourself with these home maintenance tasks as proper use and care of your cleaner will ensure continued cleaning effectiveness.

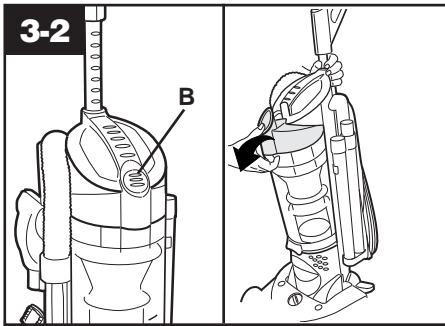


Dirt cup

When to empty

It is recommended that the dirt cup be emptied before the dirt reaches the fill line (A), or after every use if preferred.

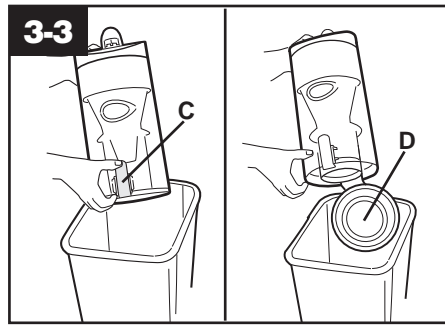
CAUTION: Very fine materials, such as face powder or cornstarch, may seal the filter and cause loss of suction. When using the cleaner for this type of dust, empty the cup and clean the filters often.



How to empty

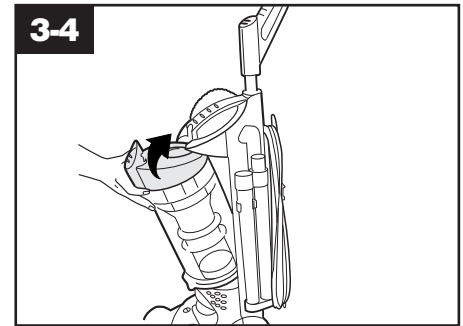
Disconnect cleaner from electrical outlet. Do not use the cleaner without dirt cup or filters in place.

Press dirt cup release button (B) and pivot cup out.

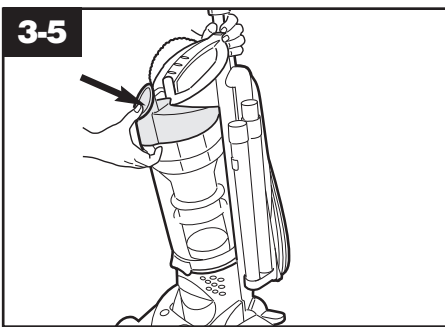


Holding dirt cup over trash receptacle, press dirt cup door release button (C) to open dirt cup door (D).

Press dirt cup door release button to latch dirt cup door closed.



Place bottom of dirt cup in first. Pivot cup into cleaner body.



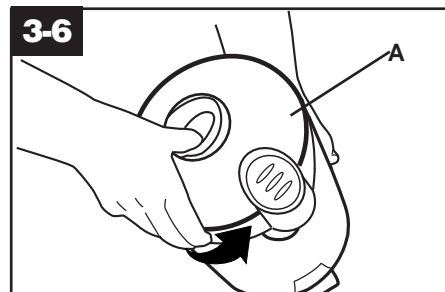
Press on dirt cup release button while firmly pressing on dirt cup. Release button in order for it to return to proper position and lock the dirt cup into place.

Cleaning filters

Cyclonic filter assembly

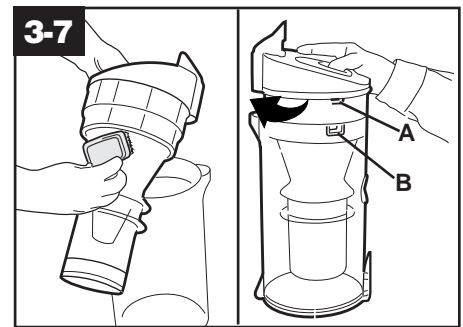
How to clean

Disconnect cleaner from electrical outlet. Do not use cleaner without dirt cup or filters in place.



Remove dirt cup as described in Fig. 3-2.

Twist filter assembly (A) counter-clockwise. Remove assembly from dirt cup.



Dirt and debris can be cleaned from the filter assembly by brushing with the cleaner's combination tool.

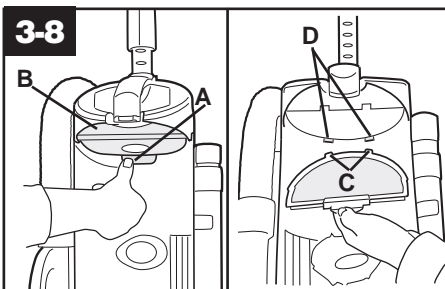
Place the filter assembly on the dirt cup, aligning tabs (A) on either side of filter with slots on dirt cup (B) and twist it clockwise to secure into position.

Replace dirt cup as described in Figs. 3-4 & 3-5.

Secondary filter

How to clean

Disconnect cleaner from electrical outlet. Do not operate cleaner without dirt cup or filters in place.



Remove dirt cup as described in Fig. 3-2.

Pull down on latch (A) located at the top of the dirt cup cavity to remove gray filter frame. Remove black foam filter (B) from frame. Hand wash in cold water with a mild detergent.

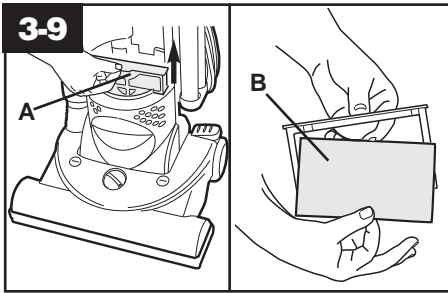
Let filter air dry and replace it into filter frame.

Reposition filter frame by inserting tabs (C) into slots (D) on back of dirt cup cavity. Rotate filter frame up toward top of dirt cup cavity and snap closed.

Final filter

How to clean

Disconnect cleaner from electrical outlet. Do not operate cleaner without dirt cup or filters in place.



Remove dirt cup as described in Fig. 3-2.

Pull filter frame (A) straight out from bottom of dirt cup cavity. Remove filter (B) from frame.

Hand wash in cold water with a mild detergent.

Let filter air dry and replace it on filter frame.

Reposition filter frame in bottom of dirt cup cavity.

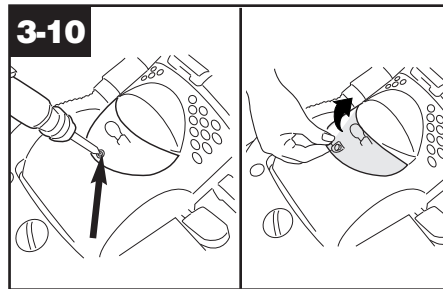
What to buy

When purchasing new filters, ask for **HOOVER part No. 93001633 Filter pack**, which includes (1) primary filter, part No. 93001723 and (1) final filter, part No. 93001726.

Headlight replacement

What to buy

This cleaner uses a 13 volt, T-3 114 wedge base bulb, **Hoover part No. 27313107**.

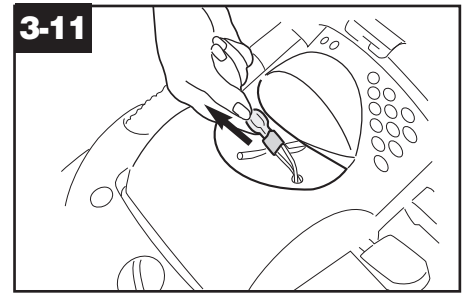


Removing lens

Disconnect cleaner from electrical outlet.

Press handle release pedal and place handle in low position.

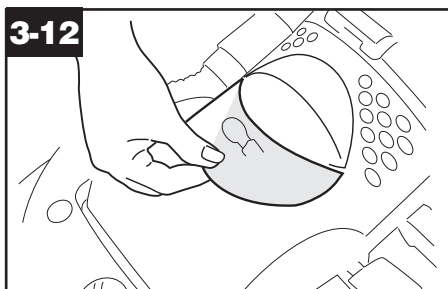
Using a Phillips screwdriver, remove the the screw as shown and lift off lens.



Installing bulb

Pull old bulb straight out of socket. Push new bulb straight into socket until locked in place.

Excessive force is not required.



Replacing lens

Reposition lens and secure with the screw.

Belt replacement

The belt on your Hoover cleaner causes the agitator to rotate and is important for the effective operation of the cleaner. The belt is located under the hood of the cleaner and should be checked from time to time to be sure it is in good condition.

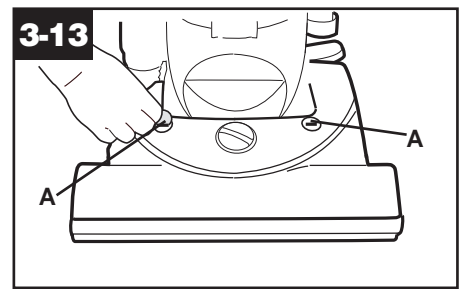
When to replace

Disconnect cleaner from electrical outlet.

To check belt, remove hood as shown in Fig. 3-13. Replace belt if it is stretched, cut or broken.

What to buy

To assure effective operation, use only genuine HOOVER belts with your cleaner. When purchasing a new belt, ask for **HOOVER part No. 38528040** (belt package part No. 40201190).



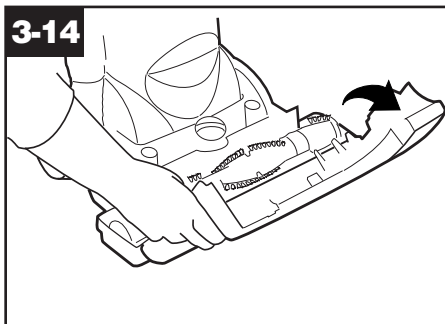
How to replace

Disconnect cleaner from electrical outlet.

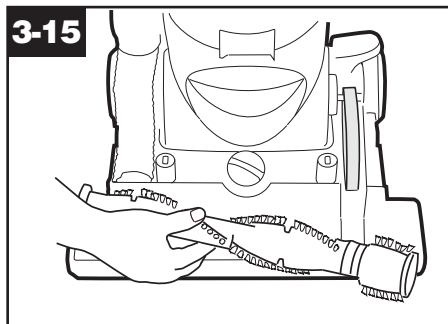
Removing hood

Press handle release pedal and place handle in low position.

Using a coin, turn the two slots (A) on either side of the hood as shown.



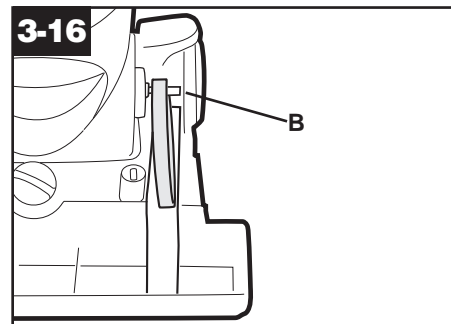
Rotate hood toward front of cleaner and remove the hood.



Removing agitator brush roll

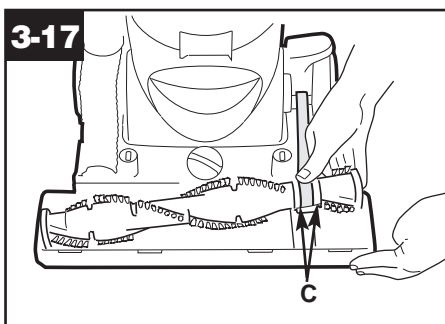
Remove agitator brush roll and used belt.

Discard used belt.



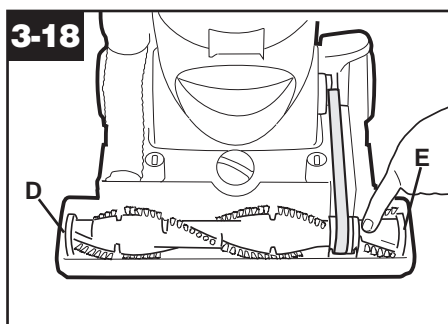
Installing new belt

With lettering on outside of belt, slide new belt over motor pulley (B).



Replacing agitator brush roll

Insert agitator through belt and place belt in belt guide (C) on agitator.

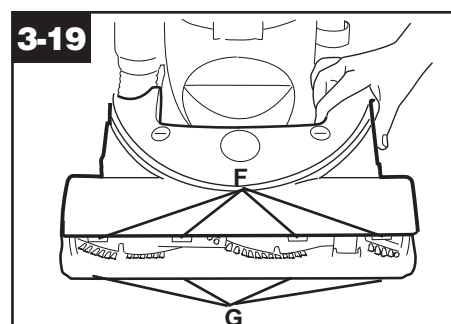


Securing agitator

Grasp agitator firmly and fit it into position by first sliding end opposite the belt into the rectangular slot (D) on side of cleaner.

Pull other side of agitator (E) into place.

Turn agitator making sure belt turns freely and is not pinched between agitator and bottom of cleaner.



Replacing hood

Align tabs (F) on hood with slots (G) on base of cleaner. Pivot hood into position.

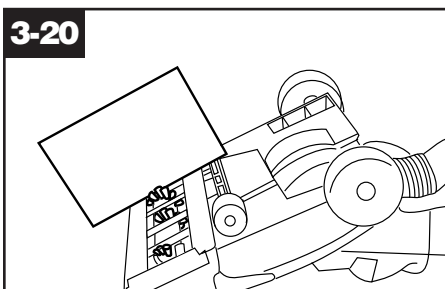
Secure hood into position by turning the coin slots (Fig. 3-13).

The agitator brush roll

When to replace

When agitator brushes are worn, the agitator should be replaced.

To check condition of brushes, **disconnect cleaner from electrical outlet.**



Move edge of a card across bottom plate while turning agitator. To maintain cleaning effectiveness, replace agitator if brushes do not touch card.

What to buy

When purchasing a new agitator, ask for **HOOVER part No. 48414113.**

How to replace

Disconnect cleaner from electrical outlet.

Remove hood, belt and agitator following directions in "The belt" section beginning with Fig. 3-13.

Discard old agitator.

Continue following the directions in "The belt" section to reposition belt, new agitator and hood.

Lubrication

The motor is equipped with bearings that contain sufficient lubrication for the life of the motor. The addition of lubricant could cause damage. **Therefore, do not add lubricant to motor bearings.**

Thermal protector

An internal thermal protector has been designed into your cleaner to protect it from overheating.

When the thermal protector activates, the cleaner will stop running. If this happens, proceed as follows:

1. Turn the cleaner OFF and disconnect it from the electrical outlet.

2. Check secondary and final filters for dirt accumulation.

3. Refer to "Clearing blockages" section.

4. When cleaner is unplugged and the motor cools for 30 minutes, the thermal protector automatically resets and cleaning may continue.

If the thermal protector continues to activate after following the above steps, your cleaner may need servicing (see "Service" section).

Service

To obtain approved HOOVER service and genuine HOOVER parts, locate the nearest **Hoover Sales and Service Center or Authorized Hoover Warranty Service Dealer (Depot)** by:

- checking the Yellow Pages under "Vacuum Cleaners - Household" OR -
- checking the list of Sales and Service Centers provided with this cleaner OR -
- checking the Service section of The Hoover Company on-line at **www.hoover.com** OR -
- calling 1-800-944-9200 for an automated referral of authorized service outlet locations (U.S. only).

Do not send your cleaner to The Hoover Company in North Canton for service, this will only result in delay.

If further assistance is needed, contact The Hoover Consumer Response Center, Phone: 1-330-499-9499.

In Canada, contact Hoover Canada, Burlington, Ontario L7R 4A8, Phone: 1-800-263-6376.

Always identify your cleaner by the **complete** model number when requesting information or ordering parts. (The model number appears on the back of the cleaner.)

4. If you have a problem

If a minor problem occurs, it usually can be solved quite easily when the cause is found by using the checklist below.

Problem: Cleaner won't run

Possible Cause

Possible Solution

- **Not firmly plugged in**
- *Plug unit in firmly*
- **No voltage in wall receptacle**
- *Check fuse or breaker*
- **Blown fuse or tripped breaker**
- *Replace fuse or reset breaker*
- **Thermal protector activated**
- *Unplug cleaner and allow cleaner to cool for 30 minutes (this will reset the thermal protector)*

Problem: Cleaner/tools won't pick up

Possible Cause

Possible Solution

- **Broken or worn belt**
- *Replace belt*
- **Agitator brush roll worn**
- *Replace brush roll*
- **Dirt cup full**
- *Empty dirt cup*
- **Incorrect carpet height setting**
- *Move nozzle control knob to lower setting*
- **Blockage in air flow passages**
- *Clear blockage*

Problem: Cleaner hard to push

Possible Cause

Possible Solution

- **Incorrect carpet height setting**
- *Move carpet height control to a higher setting*

Problem: Smoky/burning smell detected

Possible Cause

Possible Solution

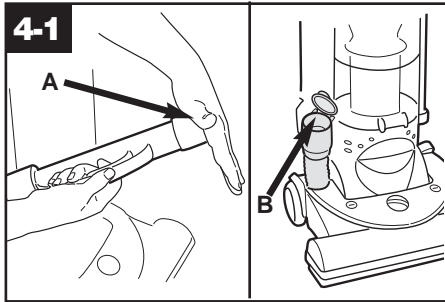
- **Belt broken or stretched**
- *Replace agitator brush roll belt as described in Figs. 3-13 through 3-19 in the Maintenance section*

Clearing blockages

Disconnect cleaner from electrical outlet.

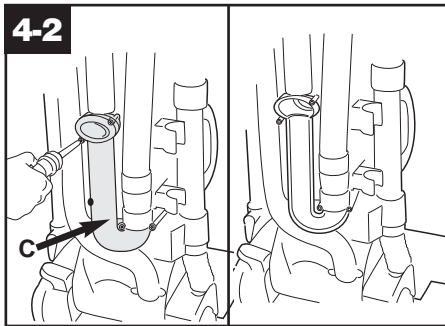
Low suction or pick up may be due to a blockage in the system. Refer to the following steps to check for blockages **continuing with each step until the blockage is found:**

1. Check fullness of dirt cup; empty if needed.



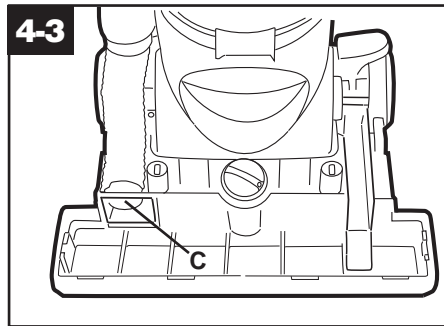
Checking airflow path

2. Plug cleaner in and turn ON. Check for suction at end of hose (A). If there is suction, continue with step 3.
3. **Turn cleaner OFF and unplug.** Check connection at hose tube (B); remove any blockage.



Checking airflow path through hose inlet tube on back of cleaner

4. **Turn cleaner OFF and unplug.**
5. If blockage can be seen in tube (C), remove 5 screws using a Phillips screwdriver.
6. Pull tube from cleaner, remove blockage.
7. Reposition tube on back of cleaner, replace 5 screws.



Checking under hood

8. **Turn cleaner OFF and unplug.**
9. Remove hood, belt and agitator (Figs. 3-13 through 3-15).
Look into opening (C) for blockages and remove.
10. Replace belt, agitator and hood.

Full One Year Warranty (Domestic Use)

Your HOOVER® appliance is warranted in normal household use, in accordance with the Owner's Manual against original defects in material and workmanship for a period of one full year from date of purchase. This warranty provides, at no cost to you, all labor and parts to place this appliance in correct operating condition during the warranted period. This warranty applies when the appliance is purchased in the United States including its territories and possessions, or in Canada or from a U. S. Military Exchange. Appliances purchased elsewhere are covered by a limited one year warranty which covers the cost of parts only. This warranty does not apply if the appliance is used in a commercial or rental application.

This warranty only applies when the product is in use in the country or territory in which it is purchased.

Warranty service can only be obtained by presenting the appliance to one of the following authorized warranty service outlets. Proof of purchase will be required before service is rendered.

1. Hoover Sales and Service Centers.
2. Hoover Authorized Warranty Service Dealers (Depots).

For an automated referral of authorized service outlets in the U.S.A., phone 1-800-944-9200 OR visit The Hoover Company on-line at www.hoover.com

This warranty does not cover pick up, delivery, or house calls; however, if you mail your appliance to a Hoover Sales and Service Center for warranty service, transportation will be paid one way.

While this warranty gives you specific legal rights, you may also have other rights which vary from state to state.

If further assistance is needed, or if there are questions concerning this warranty or the availability of warranty service outlets, phone the Hoover Consumer Response Center, 1-330-499-9499.

In Canada, contact Hoover Canada, Burlington, Ontario L7R 4A8, 1-800-263-6376.