

# HOOVER®



## Cyclonic Upright Vacuum Cleaner

## Aspirateur vertical cyclonique

### Owner's Manual

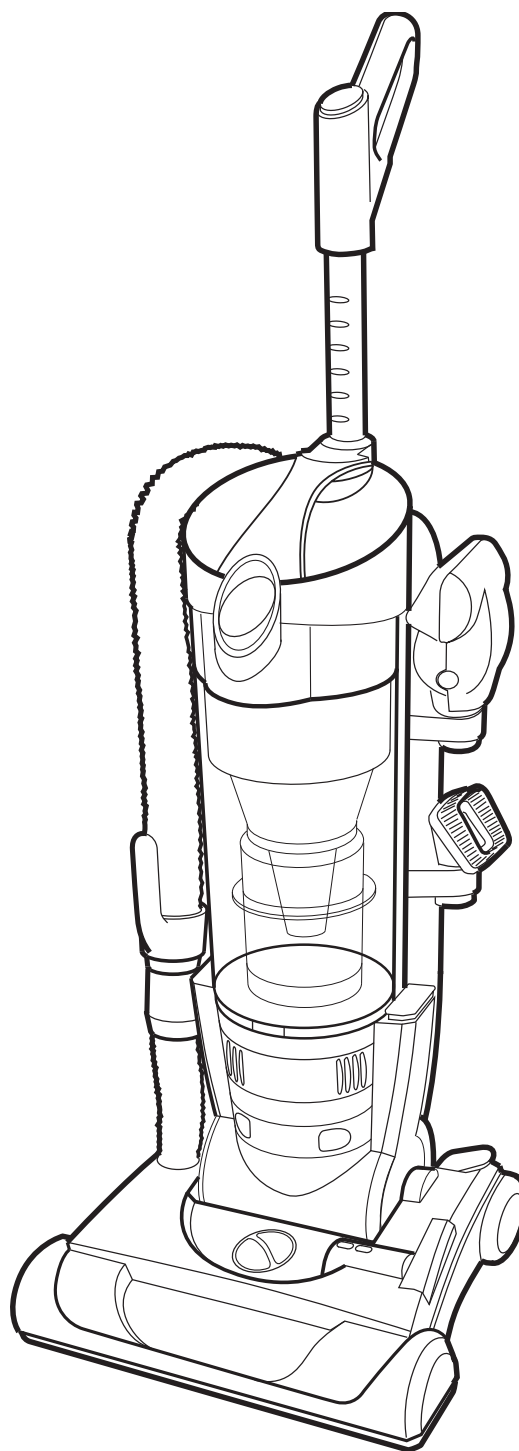
ENGLISH → pp. 1-15

ESPAÑOL → pág 16-24

FRANÇAIS → p. 25-32

### Contents

Assembling Cleaner .....	3-4
Carton Contents .....	3
How To Use .....	5-8
Cleaner Descriptions .....	5
Cleaning Tools.....	7-8
If You Have a Problem .....	14
Important Safeguards .....	2
Lubrication .....	14
Maintenance .....	8-13
Authorized Service.....	14
Cleaning Filters .....	9-10
Clearing Blockages .....	15
Emptying Dirt Cup.....	8-9
Replacing Agitator Brush Roll ..	11-12
Replacing Belt .....	10-11
Replacing Powered Hand Tool	
Agitator Brush Roll .....	12
Replacing Power Hand Tool Belt ..	13
Replacing Headlight.....	10
Thermal Protector .....	14
Warranty .....	15
Parts & accessories mail reorder	
form .....	33



Review this manual before operating the cleaner.  
Lire attentivement ces instructions avant d'utiliser l'appareil.

Review this manual before  
operating cleaner

Thank you for choosing  
a HOOVER® product

Please enter the COMPLETE model and serial numbers in the spaces provided.

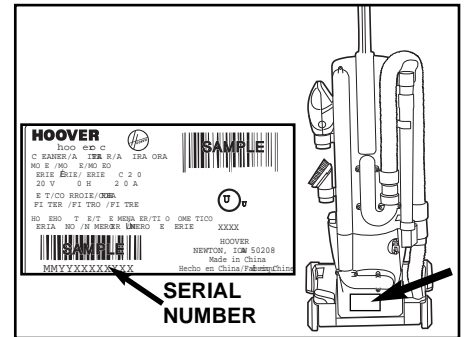
Model \_\_\_\_\_

Serial number \_\_\_\_\_

Hint: Attach your sales receipt to this owner's manual.

Verification of date of purchase may be required for warranty service of your HOOVER product.

Be sure to fill out and return the product registration card included with your cleaner (see back cover).



## Important Safeguards!

When using an electrical appliance, always follow basic precautions, including the following:  
**READ ALL INSTRUCTIONS BEFORE USING THIS APPLIANCE**

**WARNING:** To reduce the risk of fire, electric shock, or injury:

- Do not use outdoors or on wet surfaces.
- Close supervision is necessary when any appliance is used by or near children. Do not allow vacuum cleaner to be used as a toy or to run unattended at any time.
- Keep hair, loose clothing, fingers, feet and all parts of body away from openings, rotating agitator and other moving parts.
- Do not pick up anything that is burning or smoking, such as cigarettes, matches, or hot ashes.
- Do not use to pick up flammable or combustible materials such as gasoline or fine wood sandings or use in areas where they may be present.
- Always turn off this appliance before connecting or disconnecting hose.
- Unplug cleaner before connecting the powered hand tool.
- Do not use without dirt cup or filters in place. Empty cup and clean filter frequently when picking up very fine materials such as powder.
- Use extra care when cleaning on stairs.
- Do not put any object into openings. Do not use with any opening blocked; keep free of dust, lint, hair, or anything that may reduce air flow.
- Always disconnect cord from electrical outlet before servicing the cleaner.
- Unplug cleaner when not in use. Turn off all controls before unplugging.
- Do not unplug by pulling on cord. To unplug, grasp the plug, not the cord. Never handle plug or appliance with wet hands.
- The use of an extension cord is not recommended.
- Do not use with damaged cord or plug. If appliance is not working as it should, has been dropped, damaged, left outdoors, or dropped into water, take it to a Hoover Sales and Service Center or Authorized Hoover Warranty Service Dealer (Depot).
- Do not pull or carry by cord, use cord as a handle, close door on cord or pull cord around sharp edges or corners. Do not run appliance over cord. Keep cord away from heated surfaces.
- Use vacuum cleaner only for its intended use as described in the instructions. Use only attachments recommended by Hoover; others may cause hazards.
- Hold plug when rewinding cord onto cord reel. Do not allow plug to whip when rewinding.

**WARNING:**

- This product contains chemicals known to the State of California to cause cancer and reproductive toxicity. *Wash hands after handling.*
- Do not operate cleaner in bare feet or when wearing open toe shoes or sandals.
- Avoid picking up hard, sharp objects with the cleaner. They may damage the cleaner.

Save these instructions!



© 2006 The Hoover Company  
hoover.com

## If you need any assistance:

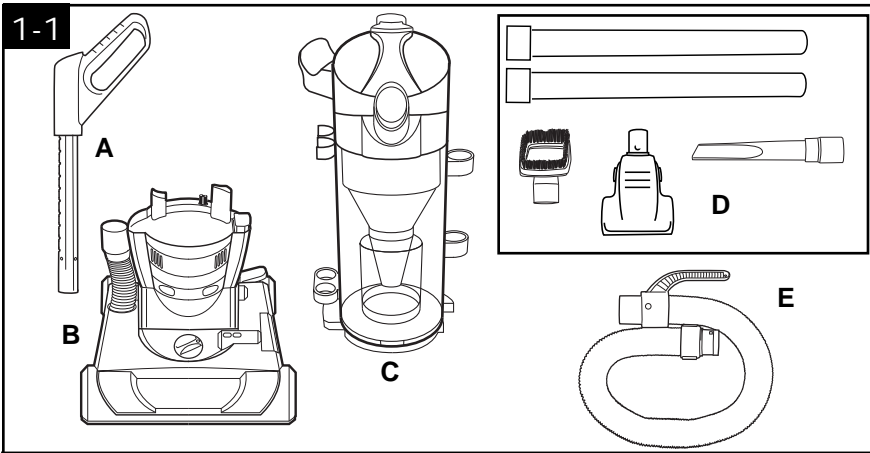
Visit our website at [hoover.com](http://hoover.com). Click on the "Service" button to find the service outlet nearest you OR

Call **1-800-944-9200** for an automated referral of authorized service outlet locations (U.S. only) OR Call 1-330-499-9499 to speak with a representative in our Consumer Response Center.

**Please do not return this product to the store.**

## 1. Cleaner assembly

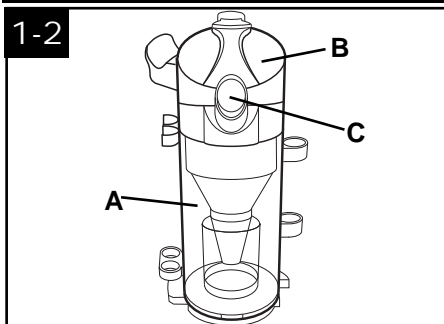
### Carton contents



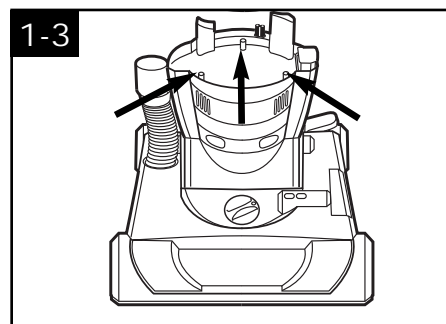
- A. Handle section
- B. Cleaner base assembly
- C. Cleaner upper housing assembly
- D. Cleaning tools and wands
- E. Hose

Remove all parts from carton and identify each item shown. Make sure all parts are located before disposing of packing materials.

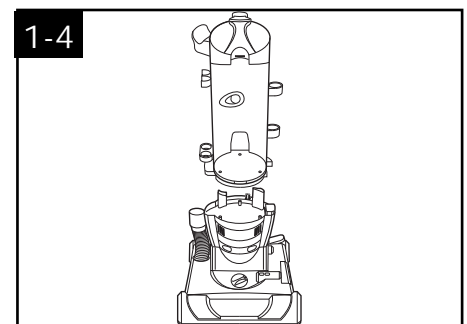
### Attach upper housing



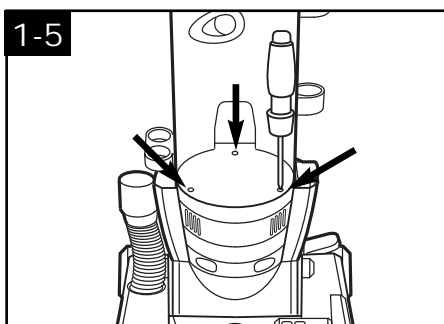
Remove dirt cup (A) from upper housing (B) by pressing dirt cup release button (C) and pivoting cup out. Set dirt cup aside.



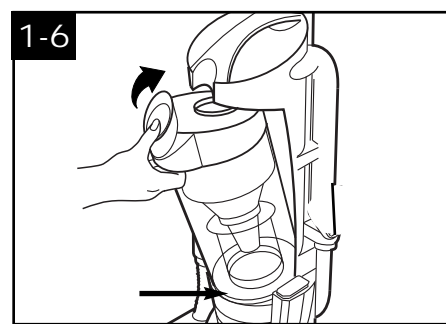
Using a Phillips screwdriver, remove (3) screws from cleaner base. **DO NOT DISPOSE OF SCREWS.** Remove cardboard and discard.



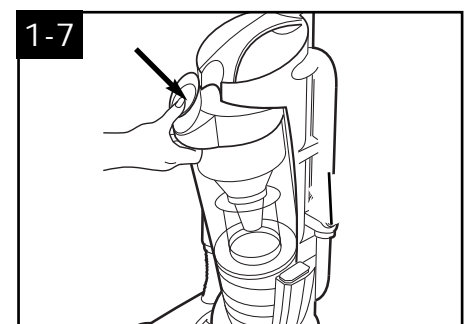
Align upper housing (D) over cleaner base (E) and slide down until upper housing sits securely over base.



Using a Phillips screwdriver, fasten (3) screws located at the bottom of the upper housing.



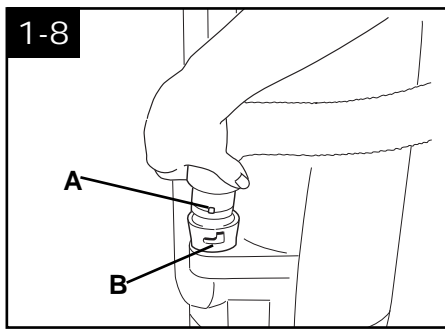
Place bottom of dirt cup into cleaner body first. Pivot cup into cleaner body.



Press on dirt cup release button while firmly pressing on dirt cup. Release button in order for it to return to proper position and lock the dirt cup into place.

Continued → 3

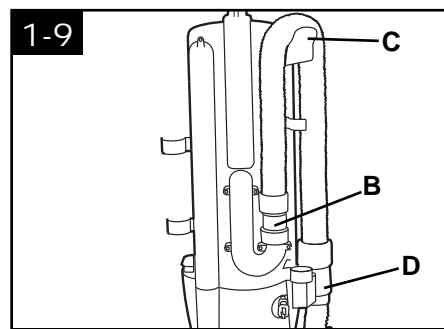
## Attach hose



Align end of hose with projections (A) over slots on dirt duct (B).

Slide hose into slots and twist hose to lock it into place (To detach hose, reverse procedure).

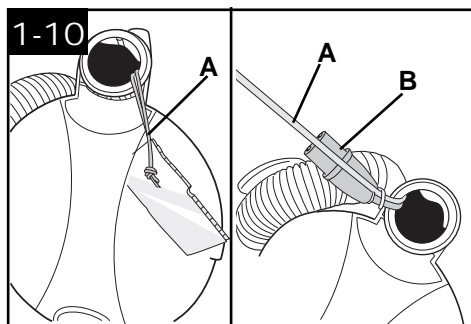
## Position hose



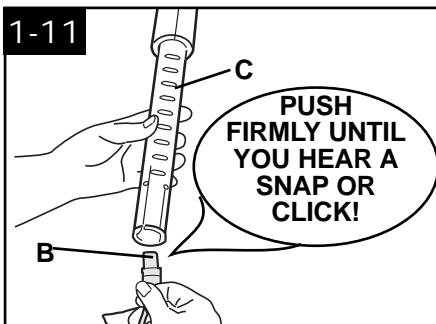
Position hose over rack (C) and into hose tube (D).

**NOTE: Hose must be connected at the hose tube (D) and at the dirt duct (B) on the back of the cleaner for carpet or floor cleaning.** For tool use, refer to Fig. 2-11.

## Attach handle



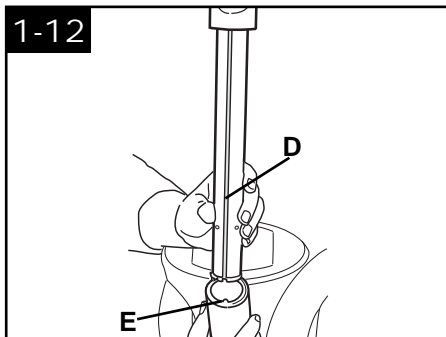
**DO NOT** remove orange tie wrap until step 1-11 is complete. Grasp orange tie wrap (A) and pull until the black plug (B) comes out of the handle cavity.



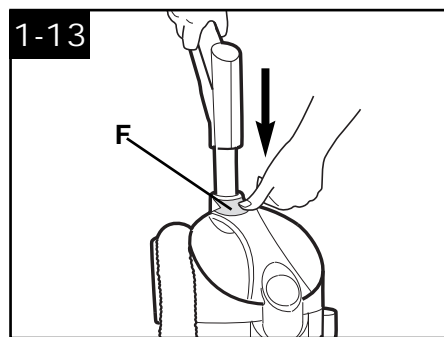
Hold plug (B) with one hand; upper handle (C) with other hand. Push plug into upper handle, aligning with opposite end of plug and push firmly **UNTIL YOU HEAR A SNAP OR A CLICK.**

After ends are connected, **pull on plug** to make sure it is securely attached.

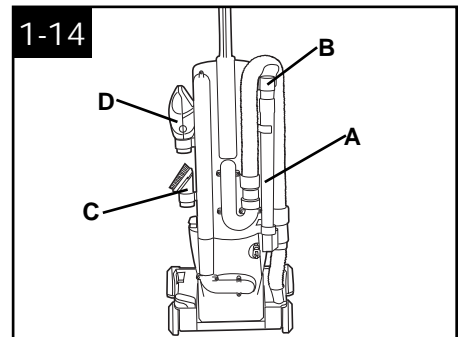
**Note:** The plug will only fit together one way. If plug is not fitting together, check alignment of ends. **After the plug ends are fully connected**, the orange tie wrap (A) must be removed. **Use caution so as NOT TO CUT the black power cord.** Discard the orange tie wrap.



Align the groove (D) on the back of the **upper** handle with the small projection (E) on the back of the handle housing.



Press button (F) at handle base and push handle all the way down.



## Position tools

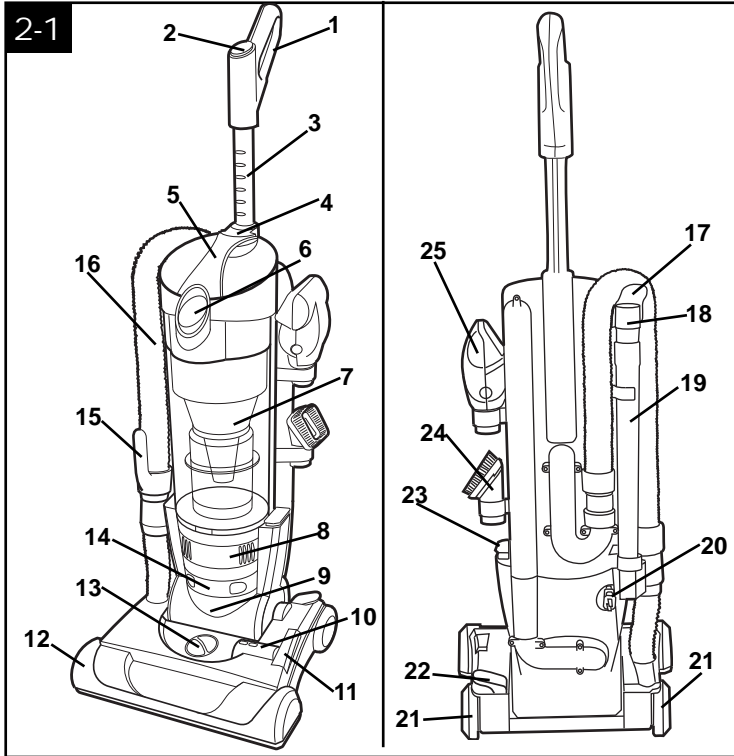
Place smaller diameter end of wand (A) into bottom of rack. Snap wand into clip at top. Repeat with other wand.

Crevice tool (B) fits into one of the extension wands.

Fit combination tool (C) and powered hand tool (D) into storage areas on side of cleaner as shown.

## 2. How to use

### Cleaner description



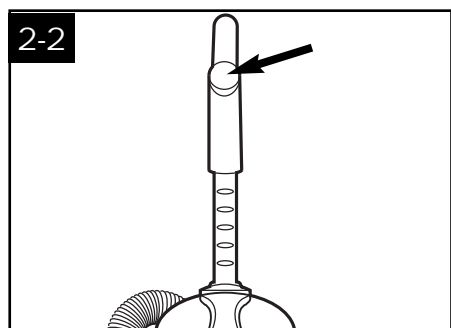
- 1. Soft touch handle grip
- 2. ON/OFF switch
- 3. Telescoping handle
- 4. Handle adjustment button
- 5. Carrying handle
- 6. Dirt cup release button
- 7. Dirt cup assembly
- 8. Cord reel window
- 9. Headlight
- 10. Agitator brush roll shut-off indicator
- 11. Agitator brush roll shut-off pedal
- 12. Furniture guard
- 13. Nozzle control knob
- 14. Final filter access
- 15. Hose handle
- 16. Hose
- 17. Hose/tool holder
- 18. Crevice tool
- 19. Wands
- 20. Cord reel
- 21. Soft touch wheels
- 22. Handle release pedal: step on lever to lower handle to operating or low positions.
- 23. Cord rewind button: press button to rewind cord for storage. **Hold plug until cord is rewound.**
- 24. Combination tool
- 25. Powered hand tool

**Operate cleaner only at voltage specified on data plate on back of cleaner.**

**This cleaner is intended for household use.**

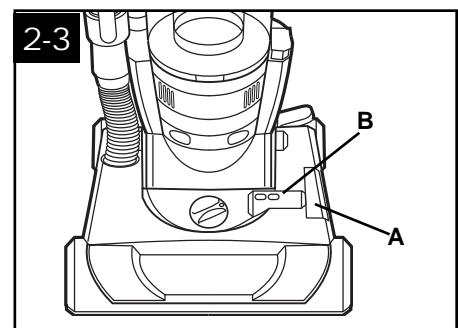
### Polarized plug

To reduce the risk of electric shock, this appliance has a polarized plug (one blade is wider than the other). This plug will fit in a polarized outlet only one way. If the plug does not fit fully in the outlet, reverse the plug. If it still does not fit, contact a qualified electrician to install the proper outlet. Do not change the plug in any way.

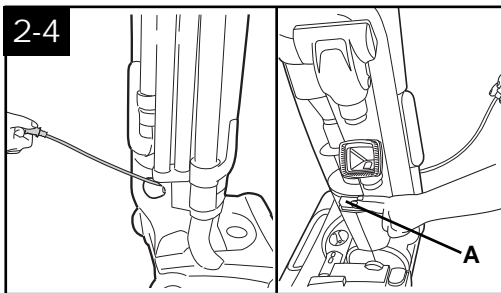


### ON-OFF switch

Plug cord into electrical outlet.  
To turn cleaner ON, push ON/OFF switch once.  
To turn cleaner OFF, push switch again.



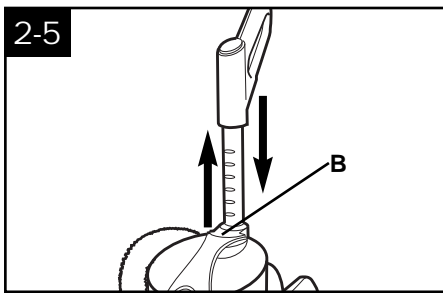
The cleaner is shipped with the agitator brush roll in the OFF position. To turn the agitator brush roll ON, step on the pedal (A). The indicator (B) will show red in the "brush roll on" window.



### Cord rewind

Grasp the end of the plug and pull to release cord from cord reel. After desired cord length is reached, the cord will lock into position.

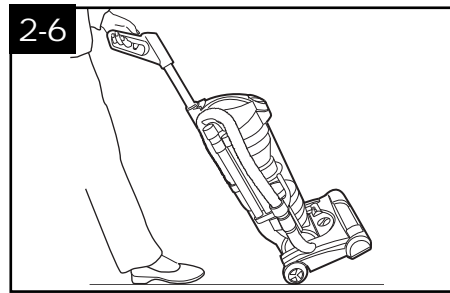
To return cord for storage, hold plug and press on button (A) at top of cord reel. **To prevent cord from whipping, hold plug until cord is rewound.**



### Telescoping handle

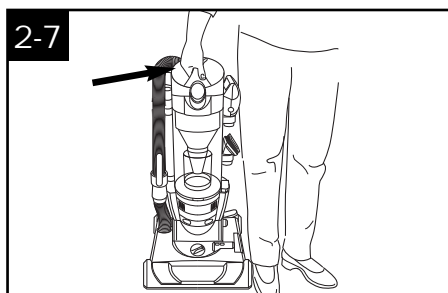
The telescoping handle includes adjustable settings to various heights for user comfort. The handle is designed to retract into the body of the cleaner for convenience in storing or carrying the cleaner.

Lower the handle by depressing the button (B) located at the handle base and pushing the handle down. Raise the handle by depressing the button and pulling the handle upward, locking it into the desired position.



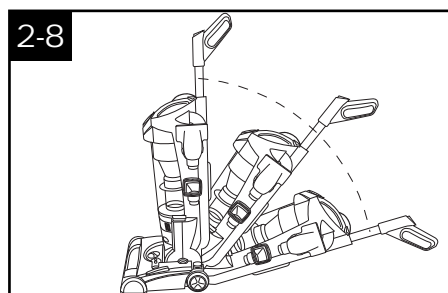
### Transporting cleaner

To move your cleaner from room to room, put handle in upright position, tilt cleaner back on rear wheels and push forward.



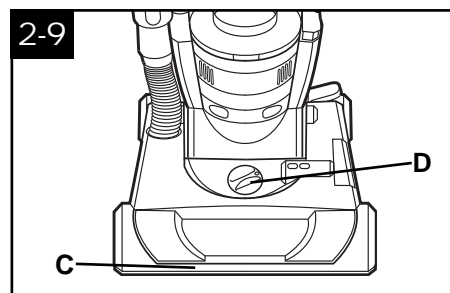
### Carrying cleaner

The cleaner can also be moved by using the carrying handle.



### Handle positions

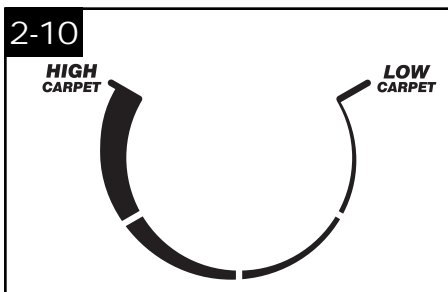
The handle of your cleaner has three positions; **upright** for storage and when using cleaning tools; **operating position** for general operation on carpet and floors; **low** for reaching under low furniture. Step on handle release lever to lower handle.



### Carpet height adjustment

The cleaning of carpet and rugs takes place at the nozzle (C).

When it is necessary to raise and lower the nozzle for various carpet pile heights, turn the nozzle control knob (D) to the desired setting.



### Settings

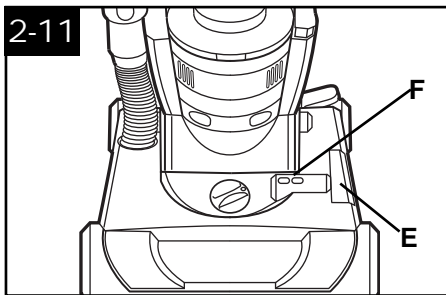
For maximum cleaning performance, the following carpet height settings are recommended:

- **Lowest setting:** for all types of carpet.

**Note:** If the cleaner is difficult to

push, turn knob to the next higher setting.

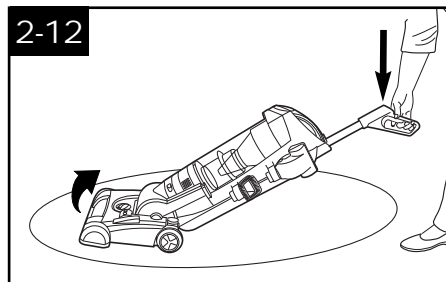
- **Higher settings:** for very deep pile carpet, where easier pushing effort is desired, while maintaining good cleaning performance.



## Agitator brush roll shut-off

The agitator brush roll shuts off automatically for tool use, when the cleaner is in the upright position.

To manually shut off the agitator brush roll for cleaning hard floors, step on the pedal (E). The indicator (F) will show red in the "brush roll off" window. To turn the agitator brush roll on, step on the pedal again. The indicator will show red in the "brush roll on" window.



## Cleaning lightweight flexible rugs

Stand on one end of rug and move cleaner toward other end or edge. Before reaching edge, push down on handle. This will lift up the nozzle (front of cleaner) as shown and will prevent rug from clinging to cleaner. Continue to lift up nozzle so that when you have reached the edge, it is completely off the rug. Move cleaner back to start again, lower nozzle, and use only forward strokes.

## Cleaning tools

Tools allow for cleaning surfaces above the floor and for reaching hard to clean areas.

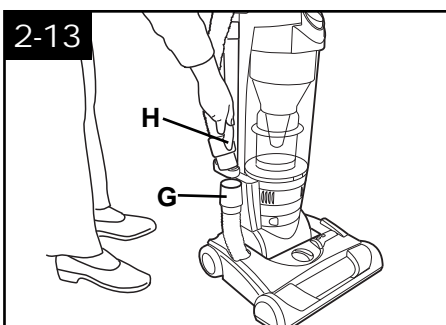
The cleaner is ready for tool use when **handle is in upright position**.

**The agitator brush roll will not rotate when the cleaner is in the upright position or the if the agitator brush roll shut off indicator is in the OFF position when the handle is lowered.**

## How to clean tools

To clean the hose and powered hand tool, wipe off dirt with a cloth dampened in a mild detergent. Rinse with a damp cloth. DO NOT submerge powered hand tool in water.

Cleaning tools may be washed in warm water with a detergent. Rinse and air dry before using.

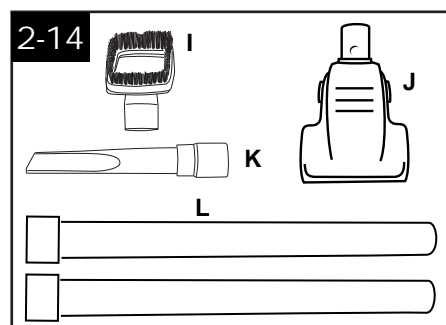


## Removing hose

When using cleaning tools, place **cleaner handle in the upright position**. **The agitator brush roll will not rotate when the cleaner is in the upright position**. Also, **turn cleaner OFF before disconnecting and connecting hose to hose tube (G)**.

To use hose, lift hose end (H) as shown.

When you are finished cleaning with the tools, reposition hose end into tube.



## Select proper tool

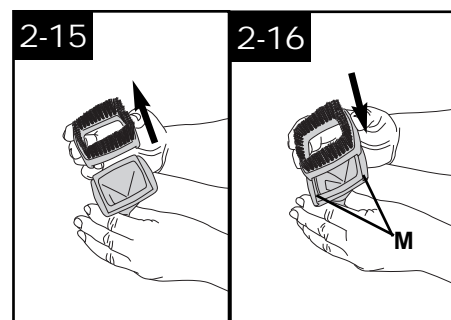
**I. Combination tool** use with brush for carved furniture, table tops, books, lamps, lighting fixtures, venetian blinds, baseboards, shutters, and registers.

Remove brush (Fig. 2-15) to clean upholstered furniture, draperies, mattresses, clothing, and carpeted stairs.

**J. Powered hand tool** may be used for upholstered furniture, draperies, mattresses, clothing, automobile interiors, and carpeted stairs.

**K. Crevice tool** may be used in tight spaces, corners and along edges in such places as dresser drawers, upholstered furniture, stairs and baseboards.

**L. Wands** are used to give extra length to your hose. Use them with any of the above tools.



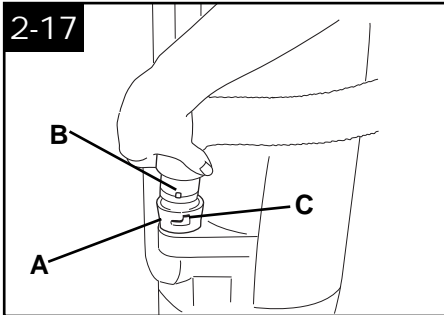
## Combination tool

Slide brush to remove.

To replace brushes, align bottom of brush with grooves (M) on tool. Slide brush into place.

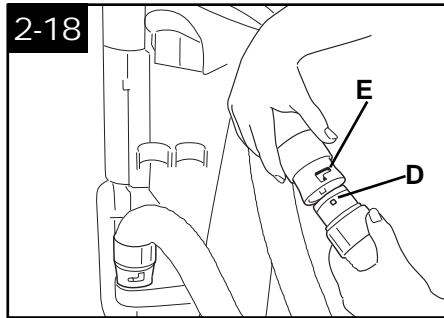
## Extra Reach™ hose (available at additional cost)

The Extra Reach™ hose provides easier cleaning of stairs and hard to reach places. Follow the steps below for attaching and detaching the Extra Reach™ hose.



### Turn cleaner OFF before disconnecting and connecting hose.

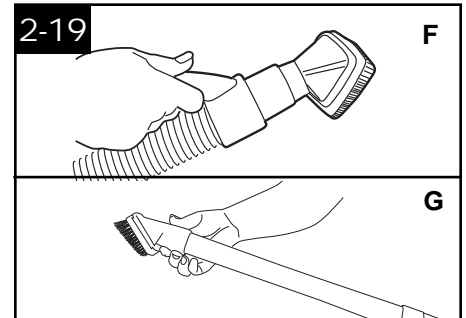
Remove hose end from dirt duct (A). Align end of Extra Reach™ hose with projections (B) over slots on dirt duct (C). Slide hose into slots and twist hose to lock it into place.



Align end of hose with projections (D) over slots (E) on Extra Reach™ hose. Slide hose into slots and twist hose to lock it into place. (To detach hose, reverse procedure).

Attach wands or tools to the other end of hose.

**NOTE: Hose must be connected to dirt duct and hose tube after removing Extra Reach™ hose for carpet or floor cleaning.**



### Attach wand and tools

Attach tool or wand to the hose (F).

Attach tool to wand (G) by pushing it firmly onto the wand.

Twist wand or tool slightly to tighten or loosen the connection.

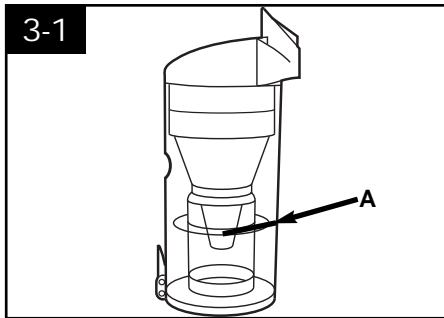
## Stair cleaning

Use the hose and powered hand tool for stair cleaning. Clean from bottom to top.

**CAUTION: To avoid personal injury or unnecessary wear to carpet, and to prevent the cleaner from falling, always place it at bottom of stairs.**

## 3. Maintenance

Familiarize yourself with these home maintenance tasks as proper use and care of your cleaner will ensure continued cleaning effectiveness.



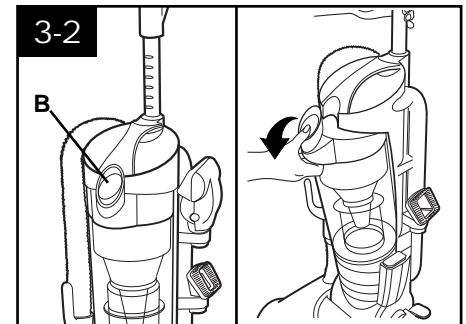
### Dirt cup

#### When to empty

Empty the dirt cup before the dirt reaches the fill line (A). Place the cleaner in the upright position before removing the dirt cup.

**Disconnect cleaner from electrical outlet. Do not use cleaner without dirt cup or filters in place.**

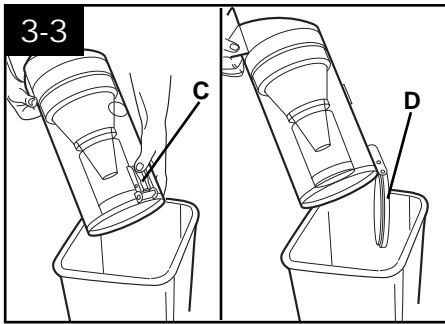
**CAUTION: Very fine materials, such as face powder or cornstarch, may seal the filter and cause a reduction in performance. When using the cleaner for this type of dust, empty the cup and clean the filters often.**



### How to empty

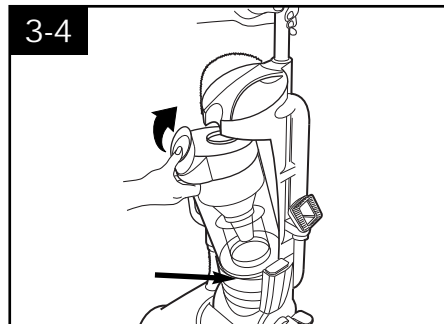
Press dirt cup release button (B) and pivot cup out.



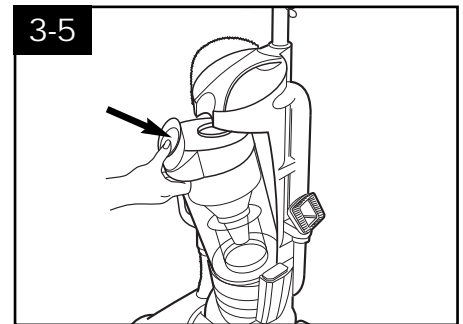


Holding dirt cup over trash receptacle, press dirt cup door release button (C) to open dirt cup door (D).

Close door and press dirt cup door release button to latch dirt cup door closed.



Place bottom of dirt cup into cleaner body first. Pivot cup into cleaner body.

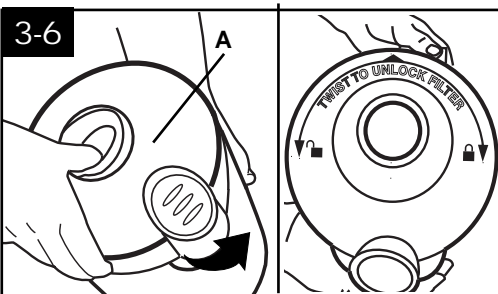


Press on dirt cup release button while firmly pressing on dirt cup. Release button in order for it to return to proper position and lock the dirt cup into place.

## Cleaning filters

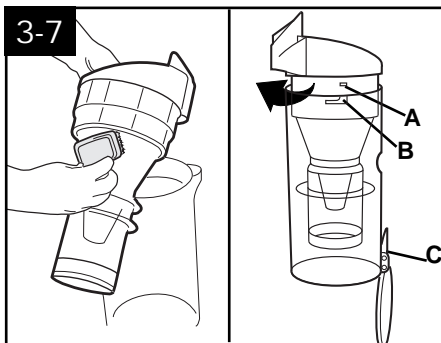
### Cyclonic filter assembly How to clean

**Disconnect cleaner from electrical outlet. Do not use cleaner without dirt cup or filters in place.**



Remove dirt cup as described in Fig. 3-2.

Twist filter assembly (A) counterclockwise. Remove assembly from dirt cup.



Dirt and debris can be cleaned from the filter assembly by brushing with the cleaner's combination tool.

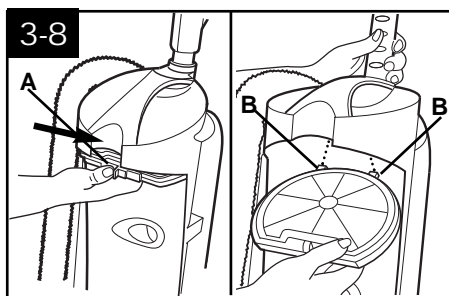
Place the filter assembly on the dirt cup, aligning (3) tabs (A) on filter with (3) slots on dirt cup (B) and twist it clockwise to secure into position. Press dirt cup door release button (C) to latch dirt cup door closed.

Replace dirt cup as described in Figs. 3-4 & 3-5.

## Secondary filter

### How to clean

**Disconnect cleaner from electrical outlet. Do not operate cleaner without dirt cup or filters in place.**



Remove dirt cup as described in Fig. 3-2.

With thumb, slide latch (A) located at the top of the housing to the right and pull down to remove gray filter frame. Remove black foam filter. Rinse filter frame cartridge and foam filter under cold water.

Allow both filter frame and filter to air dry for 24 hours before replacing filter into filter frame. Reposition filter frame cartridge by inserting tabs (B) into slots on back of housing. Rotate filter cartridge frame up toward top of housing and snap closed.

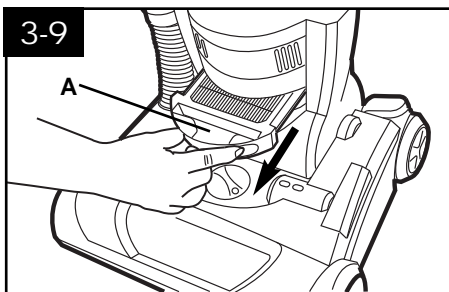
### What to buy

When purchasing a new secondary filter cartridge, ask for **HOOVER part No. 93002517**. To purchase a new black foam filter, ask for **HOOVER part No. 93002518**.

## HEPA Final filter

### How to clean

**Disconnect cleaner from electrical outlet. Do not operate cleaner without dirt cup or filters in place.**



With fingers in slots, pull filter frame (A) straight out.

Dirt and debris can be cleaned from the filter cartridge by brushing with the cleaner's combination tool. **DO NOT RINSE OR WASH the HEPA filter cartridge.**

Slide back into position on cleaner.

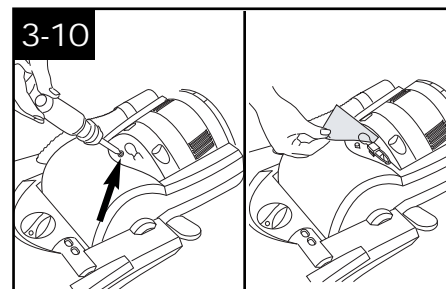
## What to buy

When purchasing a new HEPA filter cartridge, ask for **HOOVER part No. 93002360.**

## Headlight replacement

### What to buy

This cleaner uses a 13 volt, T-3 114 wedge base bulb, **Hoover part No. 27313-107.**

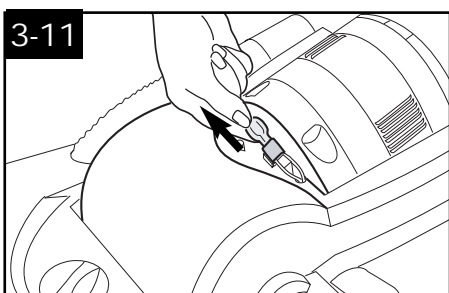


### Removing lens

**Disconnect cleaner from electrical outlet.**

Press handle release pedal and place handle in low position.

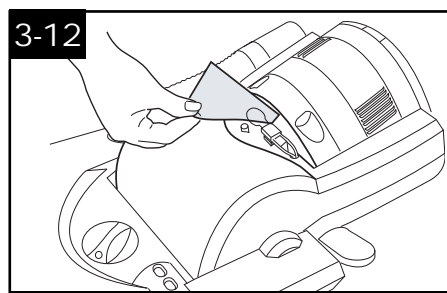
Using a Phillips screwdriver, remove the the screw as shown and lift off lens.



### Installing bulb

Pull old bulb straight out of socket. Push new bulb straight into socket until locked in place.

**Excessive force is not required.**



### Replacing lens

Reposition lens and secure with the screw.

## Belt replacement

The belts are located under the bottom plate of the cleaner and should be checked from time to time to be sure they are in good condition.

The flat (wide) belt is described below; the other belt is described under "Agitator brush roll".

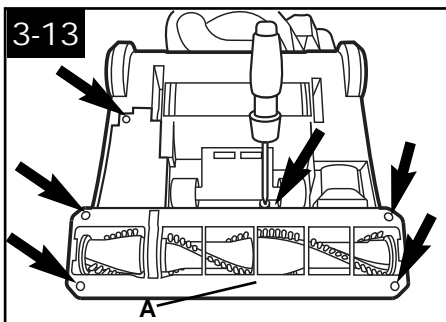
### When to replace

**Disconnect cleaner from electrical outlet. WARNING: Agitator brush roll can start suddenly. Unplug cleaner before turning it over.**

To check the flat belt, remove bottom plate as shown in "Replacing flat belt". Replace belt if it is stretched, cut or broken.

### What to buy

To assure effective operation, use only genuine HOOVER belts with your cleaner. When purchasing a new belt, ask for Flat belt - **HOOVER part No. 40201-271.**



### Replacing flat belt

**Disconnect cleaner from electrical outlet.**

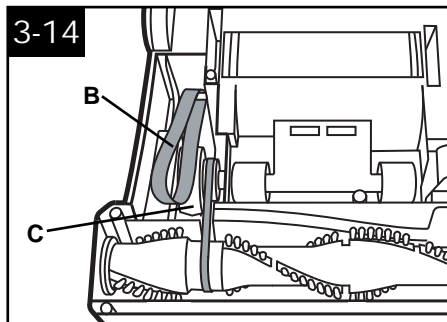
Removing bottom plate

**WARNING: Agitator brush roll can start suddenly. Unplug cleaner before turning it over.**

Place handle in low position and turn cleaner over so bottom side is facing up.

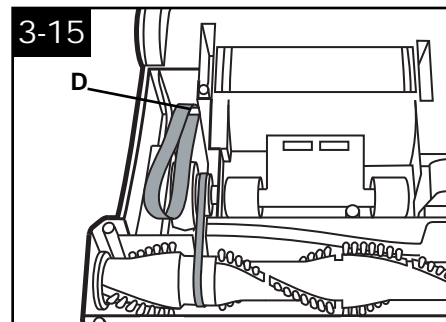
Remove the 6 screws as shown with a Phillips screwdriver.

Lift off bottom plate (A).



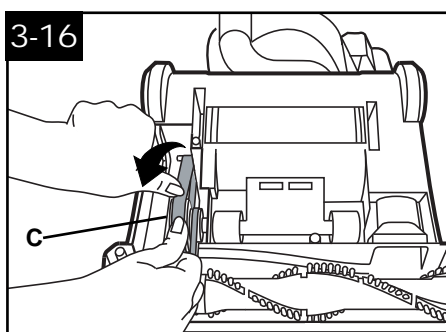
### Removing belt

Remove used belt (B) from large pulley (C) and discard.



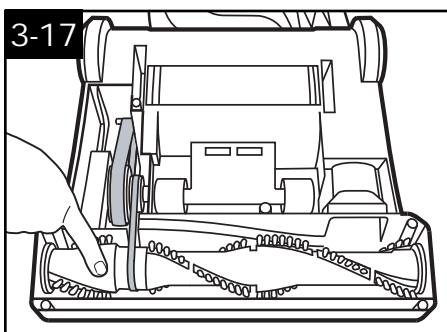
### Positioning back of belt

With lettering on outside of belt, slide new belt over motor shaft (D).

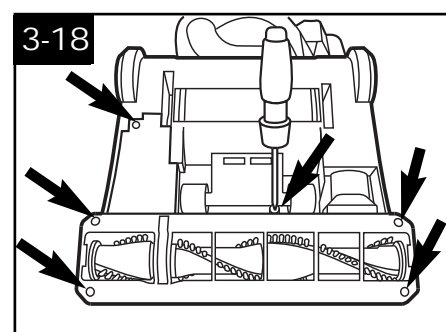


### Positioning front of belt

Place other end of belt over large pulley (C) while rolling the pulley in direction shown.



Turn agitator brush roll making sure belt turns freely and is not pinched between agitator brush roll and agitator shield.



### Replacing bottom plate

Reposition bottom plate and 6 Phillips head screws. Tighten screws securely.

## The agitator brush roll

### When to replace

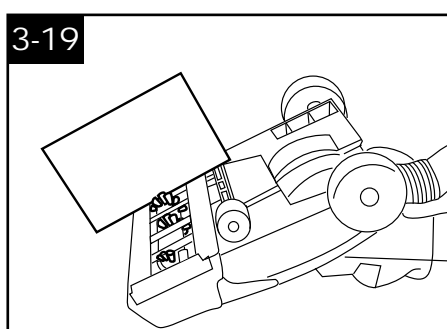
When agitator brush roll brushes are worn, the agitator brush roll should be replaced.

**Disconnect cleaner from electrical outlet.**

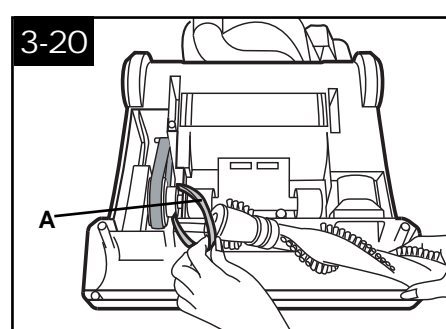
**WARNING: Agitator brush roll can start suddenly. Unplug cleaner before turning it over.**

### What to buy

When purchasing a new agitator, ask for **HOOVER part No. 93002361.**



To check condition of brushes, move edge of a card across bottom plate while turning agitator brush roll. To maintain cleaning effectiveness, replace agitator brush roll if brushes do not touch card.

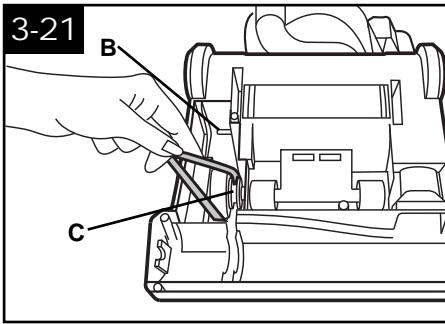


### Removing agitator brush roll

**Disconnect cleaner from electrical outlet.**

Turn carpet height adjustment knob to lowest setting. Turn cleaner over and remove bottom plate (Fig. 3-13). Lift up agitator brush roll and slide V-belt (A) off agitator brush roll.

*Continued* → 11



### Inspecting V-belt

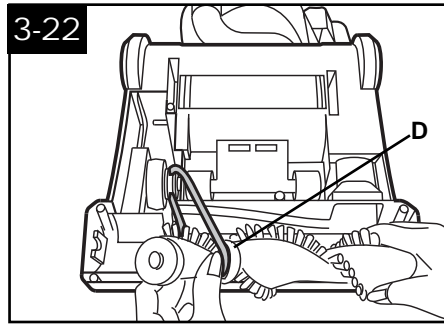
The V-belt is designed to last for a long time and is not normally replaced. However, if the V-belt is cracked, gouged or broken, it should be replaced.

Slide flat belt off large pulley as shown in Fig. 3-14.

To remove V-belt, slide **back of belt** over pulley (B). Then firmly **pull** on belt and "snap" it out.

Discard used belt. Replace with **HOOVER part No. 40201-200**.

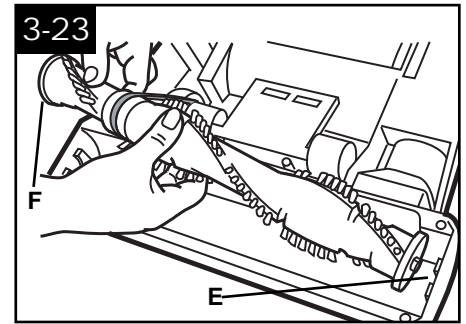
To install new belt (with lettering on outside of belt), **slide back of belt** over pulley and **pull front of belt toward groove (C) next to pulley**. Belt will "pop" into place.



### Positioning belt on agitator brush roll

**Before positioning belt onto agitator brush roll, check for debris accumulation as described in Fig. 4-3.**

Insert agitator brush roll through belt and position belt in groove (D) on agitator brush roll.



### Installing agitator brush roll

Grasp agitator brush roll firmly and fit it into position by first sliding end opposite the belt into the rectangular slot (E) on side of cleaner.

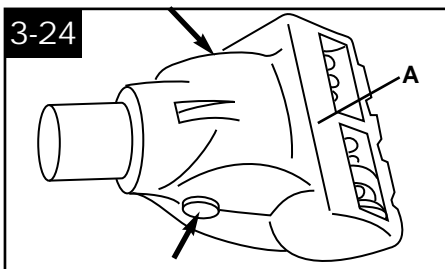
Pull other side of agitator brush roll (F) into place. Belt may fit loosely when properly installed.

Reposition flat belt and bottom plate (Figs. 3-15 through 3-16).

## Powered hand tool

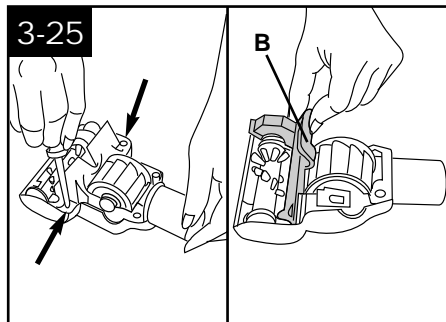
### Agitator brush roll replacement

When agitator brushes are worn, the brush roll should be replaced. Ask for **HOOVER part No. 48414-088**.

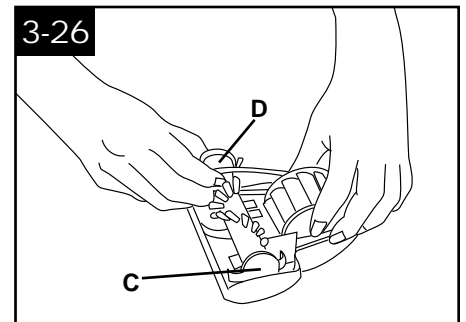


### How to replace

1. **Remove tool from hose** and turn it so bottom faces up. Press the latches on either side of tool and remove bottom plate (A).



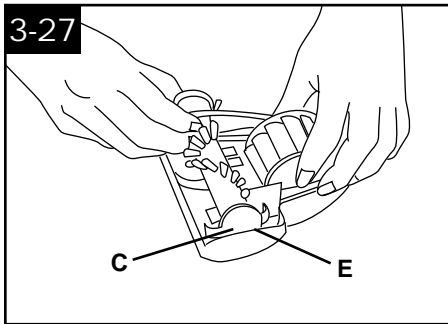
2. Unscrew the two Phillips screws and remove belt guard (B).



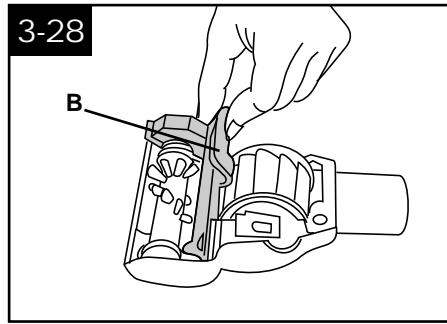
3. Remove agitator including end plates (C) and discard.

4. Inspect belt to ensure that it is in good condition. If belt is cracked, gouged or broken, replace it (see following section).

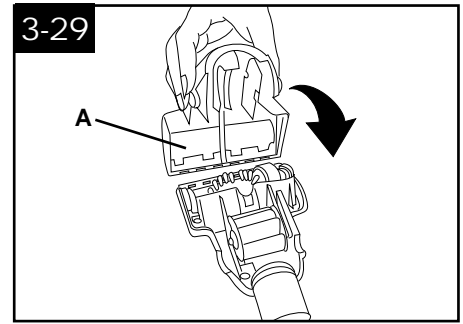
5. Insert brush roll through belt and position belt over gear teeth (D) on brush roll.



6. With curved ends down, slide end plates (C) of brush roll into slots (E) on tool.



7. Replace belt guard (B) making sure not to pinch brush bristles in guard. Turn agitator, to make sure it rotates freely.  
Replace and tighten screws.



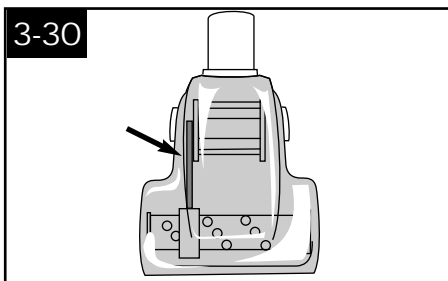
8. To replace bottom plate (A), insert the four tabs on edge of bottom plate into slots on front of tool.  
Pivot bottom plate down and snap closed.

## Powered hand tool

### Belt replacement

#### Inspect the belt

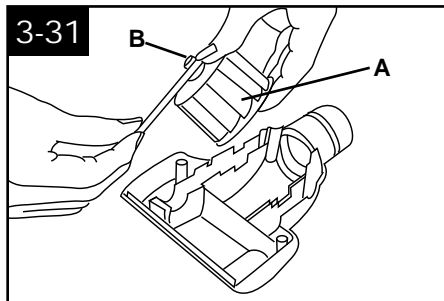
The powered hand tool belt is designed to last a long time and is not normally replaced. However, if the belt is cracked, gouged or broken, it should be replaced.



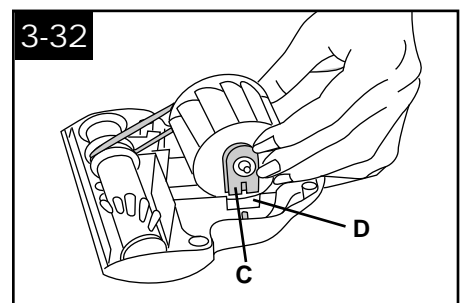
**1. Remove tool from hose.** The belt can be seen through the top of the nozzle or by removing the bottom plate and belt guard (Figs. 3-24 and 3-25).

### Replace belt

When replacing belt, ask for **HOOVER part No. 38528-037.**



2. Grasp turbine (A) and pull firmly to remove.  
3. Remove belt from turbine pulley (B). Replace with new belt.



4. With flat sides of turbine retainers (C) pointing down, slide retainers into grooves (D) in tool housing and snap into place.  
5. Replace brush roll, belt guard, and bottom plate as described in Figs. 3-26 through 3-29.

## Lubrication

The motor is equipped with bearings that contain sufficient lubrication for the life of the motor. The addition of lubricant could cause damage. **Therefore, do not add lubricant to motor bearings.**

The agitator brush roll is equipped with two ball bearings that should be lubricated periodically by a Hoover Sales and Service Center or an Authorized Hoover Warranty Service Dealer.

## Thermal protector

An internal thermal protector has been designed into your cleaner to protect it from overheating.

**When the thermal protector activates, the cleaner will stop running.** If this happens, proceed as follows:

**1. Turn the cleaner OFF and disconnect it from the electrical outlet.**

2. Check secondary and final filters for dirt accumulation.

3. Refer to "Clearing blockages" section.

**4. When cleaner is unplugged and the motor cools for 30 minutes,** the thermal protector automatically resets and cleaning may continue.

If the thermal protector continues to activate after following the above steps, your cleaner may need servicing (see "Service" section).

## Service

To obtain approved HOOVER service and genuine HOOVER parts, locate the nearest **Hoover Sales and Service Center or Authorized Hoover Warranty Service Dealer (Depot)** by:

- checking the Yellow Pages under "Vacuum Cleaners - Household" OR -
- checking the list of Sales and Service Centers provided with this cleaner OR -
- checking the Service section of Hoover on-line at **hoover.com** OR -
- calling 1-800-944-9200 for an automated referral of authorized service outlet locations (U.S. only).

**Do not** send your cleaner to Hoover in North Canton, Ohio for service, this will only result in delay.

If further assistance is needed, contact the Hoover Consumer Response Center,  
Phone: 1-330-499-9499.

In Canada, contact Hoover Canada, Burlington, Ontario L7R 4A8,  
Phone: 1-800-263-6376.

Always identify your cleaner by the **complete** model number when requesting information or ordering parts. (The model number appears on the back of the cleaner.)

## 4. If you have a problem

If a minor problem occurs, it usually can be solved quite easily when the cause is found by using the checklist below.

### Problem: Cleaner won't run

#### Possible Cause

*Possible Solution*

- **Not firmly plugged in**
- *Plug unit in firmly*
- **No voltage in wall receptacle**
- *Check fuse or breaker*
- **Blown fuse or tripped breaker**
- *Replace fuse or reset breaker*
- **Thermal protector activated**
- *Unplug cleaner and allow cleaner to cool for 30 minutes (this will reset the thermal protector)*

### Problem: Cleaner/tools won't pick up

#### Possible Cause

*Possible Solution*

- **Broken or worn belt**
- *Replace belt*
- **Agitator brush roll worn**
- *Replace agitator brush roll*
- **Dirt cup full**
- *Empty dirt cup*
- **Incorrect carpet height setting**
- *Move nozzle control knob to lower setting*
- **Blockage in air flow passages**
- *Clear blockage*
- **Agitator brush roll is OFF**
- *Step on pedal (Fig. 2-11) to turn agitator brush roll ON*
- **Filters dirty**
- *Clean filters (Figs. 3-6 through 3-9)*

### Problem: Cleaner hard to push

#### Possible Cause

*Possible Solution*

- **Incorrect carpet height setting**
- *Move carpet height control to a higher setting*

### Problem: Smoky/burning smell detected

#### Possible Cause

*Possible Solution*

- **Belt broken or stretched**
- *Replace agitator brush roll belt as described in Figs. 3-13 through 3-18 in the Maintenance section*

### Problem: Powered hand tool brush roll won't turn

#### Possible cause

*Possible solution*

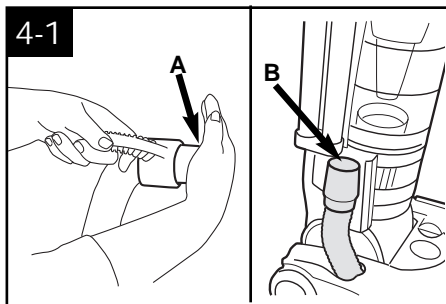
- **Too much pressure being applied to tool**
- *Continue using tool applying light pressure.*
- **Blockage in turbine channel**
- *Remove blockage.*
- **Broken or worn belt**
- *Replace belt*
- **Low cleaner suction**
- *Check items under "Cleaner won't pick up".*

## Clearing blockages

**Disconnect cleaner from electrical outlet.**

Low suction or pick up may be due to a blockage in the system. Refer to the following steps to check for blockages **continuing with each step until the blockage is found:**

1. Check fullness of dirt cup; empty if needed.



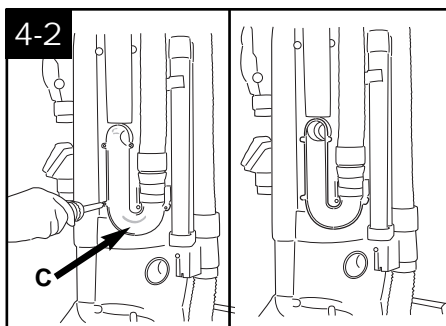
### Checking airflow path

2. Plug cleaner in and turn ON. Check for suction at end of hose (A). If there is suction, continue with step 3.

3. **Turn cleaner OFF and unplug.** Check connection at hose tube (B); remove any blockage.

### Check secondary filter

4. Remove and clean secondary filter (Fig. 3-8). Replace filter.



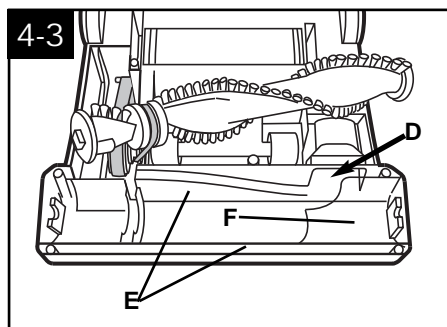
### Checking airflow path through hose inlet tube on back of cleaner

5. **Turn cleaner OFF and unplug.**

6. If blockage can be seen in tube (C), remove 5 screws using a Phillips screwdriver.

7. Pull tube from cleaner, remove blockage.

8. Reposition tube on back of cleaner, replace 5 screws.



### Checking under bottom plate

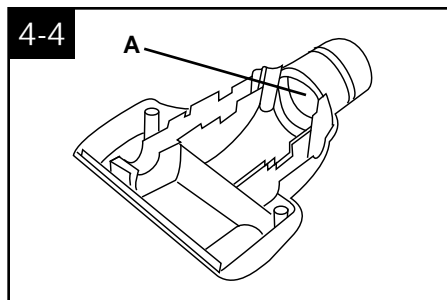
9. Turn cleaner OFF and unplug.

10. Remove bottom plate (Fig. 3-13) and agitator brush roll (Fig. 3-20).

Look into opening (D), in channels (E) and around liner (F) and remove any accumulated debris.

11. Replace agitator brush roll and bottom plate.

If a blockage occurs during powered hand tool use:



12. **Disconnect powered hand tool from hose.** Remove bottom plate, belt guard and turbine as described in Figs. 3-24, 3-25 and 3-31.

Remove any blockage from turbine channel (G).

Replace belt turbine, brush roll, belt guard and bottom plate.

## Full One Year Warranty (Domestic Use)

Your HOOVER® appliance is warranted in normal household use, in accordance with the Owner's Manual against original defects in material and workmanship for a period of This warranty provides, at no cost to you, all labor and parts to place this appliance in correct operating condition during the warranted period. This warranty applies when the appliance is purchased in the United States including its territories and possessions, or in Canada or from a U. S. Military Exchange. Appliances purchased elsewhere are covered by a limited one year warranty which covers the cost of parts only. This warranty does not apply if the appliance is used in a commercial or rental application.

This warranty only applies when the product is in use in the country or territory in which it is purchased.

Warranty service can only be obtained by presenting the appliance to one of the following authorized warranty service outlets. Proof of purchase will be required before service is rendered.

1. Hoover Sales and Service Centers.
2. Hoover Authorized Warranty Service Dealers (Depots).

**For an automated referral of authorized service outlets in the U.S.A., phone 1-800-944-9200 OR**

**visit Hoover on-line at [hoover.com](http://hoover.com)**

This warranty does not cover pick up, delivery, or house calls; however, if you mail your appliance to a Hoover Sales and Service Center for warranty service, transportation will be paid one way.

While this warranty gives you specific legal rights, you may also have other rights which vary from state to state.

If further assistance is needed, or if there are questions concerning this warranty or the availability of warranty service outlets, phone the Hoover Consumer Response Center, 1-330-499-9499.

In Canada, contact Hoover Canada, Burlington, Ontario L7R 4A8, 1-800-263-6376.

# HOOVER®

## Aspiradora vertical ciclónica

Manual del propietario

ESPAÑOL → 16-23

### Índice

Ensamblado de la aspiradora .....	17
Contenido de la caja .....	17
Cómo usar la aspiradora.....	17-19
Descripción de la aspiradora .....	18
Accesorios de limpieza .....	19
Si tiene un problema.....	23
Salvaguardias importantes .....	16
Lubricación .....	22
Mantenimiento .....	20-23
Servicio autorizado .....	22
Limpieza de los filtros .....	20
Eliminación de obstrucciones .....	23
Vaciado del depósito para polvo .....	20
Reemplazo del rodillo de escobillas del agitador .....	21
Reemplazo de la correa .....	20-21
Reemplazo del accesorio de mano turboaccionado rodillo de escobillas del agitador .....	22
Reemplazo de la correa del accesorio de mano turboaccionado .....	22
Reemplazo de la luz delantera .....	20
Protector térmico .....	22
Garantía.....	29
Formulario para el pedido por correo de piezas y accesorios.....	26

Lea este manual antes de hacer funcionar la aspiradora.



© 2006 The Hoover Company  
hoover.com

Gracias por haber elegido un producto HOOVER®

Anote los números COMPLETOS de modelo y serie en los espacios provistos.

Modelo \_\_\_\_\_

Número de serie \_\_\_\_\_

Consejo: Adjunte su recibo de compra a este Manual del propietario.

Para obtener el servicio de garantía de su producto HOOVER puede requerirse la verificación de la fecha de compra.

Asegúrese de llenar y devolver la tarjeta adjunta de registro del producto incluida con su aspiradora (vea la contraportada).

## ¡Salvaguardias importantes!

Al usar un aparato eléctrico, observe siempre las precauciones básicas, incluyendo las siguientes:

**LEA TODAS LAS INSTRUCCIONES ANTES DE USAR ESTE APARATO**

**ADVERTENCIA:** Para reducir el riesgo de incendios, choques eléctricos o lesiones:

- No use este aparato en el exterior o en superficies mojadas.
- Es necesaria una supervisión estricta cuando cualquier aparato es utilizado por o cerca de los niños. No permita que la aspiradora sea usada como un juguete ni que funcione sin atención en ningún momento.
- Mantenga el cabello, la ropa holgada, los dedos de las manos y pies y todas las partes del cuerpo alejados de las aberturas, del agitador rotatorio y otras piezas en movimiento.
- No aspire nada que se esté quemando o echando humo, como cigarrillos, cerillos o cenizas calientes.
- No use este aparato para aspirar materiales inflamables o combustibles como gasolina o restos de madera lijada, ni en áreas donde pudieran encontrarse presentes.
- Apague siempre este aparato antes de conectar o desconectar la manguera.
- Desenchufe antes de conectar el accesorio de mano turboaccionado.
- No use la aspiradora sin tener el depósito para polvo o los filtros en su lugar. Vacíe el depósito y limpie con frecuencia cuando aspire materiales muy finos como talco.
- Tenga especial cuidado al limpiar escaleras.
- No coloque ningún objeto en las aberturas. No la use con ninguna abertura obstruida; manténgala libre de polvo, pelusa, cabello o cualquier cosa que pueda reducir el flujo de aire.
- Desconecte siempre el cordón de la toma de corriente eléctrica antes de prestar servicio a la aspiradora.
- Desconecte el cordón cuando la aspiradora no esté en uso. Antes de desenchufarla, apague todos los controles.
- No la desconecte tirando del cordón. Para desenchufarla, sujete el enchufe y no el cordón. Nunca toque el enchufe ni el aparato con las manos mojadas.
- No se recomienda el uso de cordones de extensión.
- No use el aparato si el cordón o el enchufe está dañado. Si el aparato no está funcionando apropiadamente, se ha dejado caer, ha sido dañado, se ha dejado a la intemperie o se ha dejado caer en agua, llévelo a un Centro de ventas y de servicio de Hoover o al Concesionario autorizado de servicio de garantía de Hoover (Depósito).
- No tire de ésta ni la transporte por el cordón, ni tampoco use el cordón como mango, no cierre la puerta sobre el cordón ni tire del mismo alrededor de los bordes agudos ni esquinas. No pase el aparato sobre el cordón. Mantenga el cordón alejado de las superficies calientes.
- Use la aspiradora solamente para lo que ha sido diseñada según se describe en las instrucciones. Use solamente los accesorios recomendados por Hoover; el uso de otros accesorios puede ser peligroso.
- Sujete el enchufe cuando enrolle el cordón en la bobina. No permita que el enchufe dé latigazos cuando enrolle el cordón.

**ADVERTENCIA:**

- Este producto contiene sustancias químicas conocidas en el estado de California por ser causantes de cáncer y presentar riesgos para el sistema reproductor. *Lávese las manos después de manipularlo.*
- No haga funcionar la aspiradora descalzo ni cuando calce sandalias o zapatos que dejen los dedos de los pies al descubierto.
- Evite recoger objetos duros o afilados con la aspiradora. Éstos pueden dañar la aspiradora.

## ¡Guardé estas instrucciones!



## Si necesita asistencia:

Visite nuestra página en Internet **hoover.com**. Haga clic en el botón "Service" para encontrar el centro de servicio más cercano a usted O Llame al **1-800-944-9200** para obtener una referencia automatizada de las ubicaciones de los centros de servicio autorizados (solamente en EE.UU.) O Llame al 1-330-499-9499 para hablar con un representante en nuestro Centro de respuesta al cliente.

**Por favor no devuelva este producto a la tienda.**

**USE ESTAS INSTRUCCIONES EN ESPAÑOL JUNTO CON LAS FIGURAS PASO-A-PASO PROVISTAS EN EL MANUAL DE INGLÉS.**

# 1. Ensamblado de la aspiradora

## Contenido de la caja

### 1-1

- A. Sección del mango
- B. Ensamblado de la base de la aspiradora
- C. Conjunto del cuerpo superior de la aspiradora
- D. Accesorios de limpieza y tubos de extensión
- E. Manguera

**Saque todos los componentes de la caja e identifique cada pieza que se muestra.**

**Asegúrese de encontrar todas las piezas antes de desechar el material de embalaje.**

## Coloque el cuerpo superior

### 1-2

Quite el depósito para polvo (A) del cuerpo superior (B) presionando el botón para soltar el depósito para polvo (C) y girando para sacar el depósito. Deje el depósito para polvo a un lado.

### 1-3

Con un destornillador Phillips, saque los (3) tornillos de la base de la aspiradora. **NO DESECHE LOS TORNILLOS.** Saque el cartón y deséchelo.

### 1-4

Alinee el cuerpo superior (D) sobre la base de la aspiradora (E) y deslícelo hacia abajo hasta que el cuerpo superior se asiente de modo seguro sobre la base.

### 1-5

Con un destornillador Phillips, ajuste (3) tornillos ubicados en el fondo del cuerpo superior.

### 1-6

Primero coloque el fondo del depósito para polvo dentro del cuerpo de la aspiradora. Gire el depósito para insertarlo en el cuerpo de la aspiradora.

### 1-7

Presione el botón para soltar el depósito para polvo mientras presiona firmemente el depósito para polvo.

Suelte el botón para que regrese a la posición correcta y trabe el depósito para polvo en su lugar.

### 1-8

## Conecte la manguera

Alinee el extremo de la manguera con las proyecciones (A) sobre las ranuras en el conducto para el polvo (B).

Deslice la manguera en las ranuras y gire la manguera para trabarla en su lugar. (Para desconectar la manguera, invierta el procedimiento).

### 1-9

## Coloque la manguera

Coloque la manguera sobre el soporte (C) y dentro del tubo de la manguera (D).

**NOTA: La manguera debe estar conectada en el tubo de la manguera (D) y el conducto para el polvo (B) en la parte posterior de la aspiradora para la limpieza en posición vertical.**

Para el uso de los accesorios, vea la figura 2-11.

### 1-10

## Coloque el mango

**NO** saque la banda de sujeción anaranjada hasta que haya completado el paso 1-11. Sujete la banda de sujeción anaranjada (A) y tire hasta que el enchufe negro (B) salga de la cavidad para el mango.

### 1-11

Sujete el enchufe (B) con una mano y el mango superior (C) con la otra mano. Empuje el enchufe dentro del mango superior, alineándolo con el extremo opuesto del enchufe y empújelo firmemente **HASTA ESCUCHAR QUE ENCAJA O HACE UN CHASQUIDO.** Cuando los extremos estén conectados, **tire del enchufe** para asegurarse de que está bien conectado.

**Nota:** El enchufe solamente se conectará de una manera. Si el enchufe no se conecta bien, revise el alineamiento de los extremos.

**Una vez que los extremos del enchufe estén completamente conectados,** deberá sacar la banda de sujeción anaranjada (A).

**Tenga cuidado de NO cortar el cordón eléctrico negro.** Deseche la banda de sujeción anaranjada.

### 1-12

Alinee la acanaladura (D) en la parte posterior del mango **superior** con la proyección pequeña (E) en la parte posterior del compartimiento del mango.

### 1-13

Oprima el botón (F) en la base del mango y empuje el mango completamente hacia abajo.

### 1-14

## Colocación de los accesorios

Coloque el extremo de diámetro más pequeño del tubo de extensión (A) en la parte inferior del soporte. Encaje el tubo de extensión en el clip en la parte superior. Repita con el otro tubo de extensión.

El accesorio para hendiduras (B) cabe dentro de uno de los tubos de extensión.

Encaje el accesorio combinado (C) y el accesorio de mano turboaccionado (D) en las áreas de almacenamiento al costado de la aspiradora como se muestra.

## 2. Cómo usar la aspiradora

### Descripción de la aspiradora

#### 2-1

1. **Asidero del mango Soft Touch™**
2. **Interruptor de encender/apagar**
3. **Mango telescópico**
4. **Botón para ajustar el mango**
5. **Asa para transportar**
6. **Botón para soltar el depósito para polvo**
7. **Conjunto del depósito para polvo**
8. **Ventana de la bobina para el cordón**
9. **Luz delantera**
10. **Indicador de apagado del rodillo de escobillas del agitador**
11. **Pedal de apagado del rodillo de escobillas del agitador**
12. **Protector para muebles:** ayuda a evitar que la aspiradora haga marcas en los muebles.
13. **Perilla de control de la boquilla:** gire la perilla a la posición correcta para la altura de la alfombra que está aspirando.
14. **Acceso al filtro final**
15. **Asa de la manguera**
16. **Manguera**
17. **Sujetador para la manguera/accesorios**
18. **Accesorio corto para hendiduras**
19. **Tubos de extensión**
20. **Bobina para el cordón**
21. **Ruedas Soft Touch™**
22. **Pedal para soltar el mango:** pise la palanca para bajar el mango a las posiciones de funcionamiento o posiciones bajas.
23. **Botón para rebobinar el cordón:** presione el botón para rebobinar el cordón para guardarlo. **Sujete el enchufe hasta que el cordón esté enrollado.**
24. **Accesorio combinación**
25. **Accesorio de mano turboaccionado**

Haga funcionar la aspiradora solamente con el voltaje especificado en la placa de datos que se encuentra en su parte posterior.

Esta aspiradora ha sido diseñada para uso doméstico.

### Enchufe polarizado

Para disminuir el riesgo de choque eléctrico, este aparato tiene un enchufe polarizado (una patilla es más ancha que la otra). Este enchufe podrá usarse en una toma de corriente polarizada, sólo de una manera. Si el enchufe no encaja completamente en la toma de corriente, inviértalo. Si aun así no encaja, comuníquese con un electricista calificado para que le instale la toma de corriente adecuada. No modifique el enchufe de manera alguna.

#### 2-2

### Interruptor de encender/apagar (ON/OFF)

Enchufe el cordón en una toma de corriente eléctrica. Para encender la aspiradora (ON), empuje el interruptor de encender y apagar una vez.

Para apagar la aspiradora (OFF), empuje el interruptor de nuevo.

#### 2-3

La aspiradora es enviada con el rodillo de escobillas del agitador en la posición de apagado (OFF). Para activar el rodillo de escobillas del agitador, pise el pedal (A). El indicador (B) se verá rojo en la ventana de "encendido del rodillo de escobillas".

#### 2-4

### Rebobinado del cordón

Tome el extremo del enchufe y jálalo para soltar el cordón de su bobina. Cuando consiga la longitud deseada del cordón, éste se trabará en su lugar.

Para guardar el cordón, sujete el enchufe y presione el botón (A) en la parte superior de la bobina para el cordón. **Para evitar que el cordón dé latigazos, sujete el enchufe hasta que el cordón esté enrollado.**

#### 2-5

### Mango telescópico

El mango telescópico incluye posiciones ajustables a varias alturas para la comodidad del usuario. El mango está diseñado para retraerse en el cuerpo de la aspiradora para almacenar o transportar la aspiradora con comodidad. Baje el mango oprimiendo

el botón (B) ubicado en la base del mango y empujando el mango hacia abajo. Levante el mango oprimiendo el botón y tirando del mango hacia arriba, trabándolo en la posición deseada.

#### 2-6

### Traslado de la aspiradora

Para mover la aspiradora de una habitación a otra, coloque el mango en la posición vertical, incline la aspiradora hacia atrás sobre las ruedas traseras y empújela hacia delante.

#### 2-7

### Para transportar la aspiradora

La aspiradora también se puede mover usando el asa para transportar.

#### 2-8

### Posiciones del mango

El mango de su aspiradora tiene tres posiciones: **vertical**, para guardarla y usar los accesorios de limpieza; **posición de funcionamiento**, para uso general sobre alfombras de pared a pared y pisos; y **baja**, para aspirar debajo de muebles de poca altura. Pise la palanca para bajar el mango.

#### 2-9

### Ajuste de la altura para alfombras

La limpieza de las alfombras de pared a pared y de área tiene lugar en la boquilla (C).

Cuando sea necesario elevar y bajar la boquilla para limpiar alfombras de distintos espesores, gire la perilla de control de la boquilla (D) a la posición deseada.

#### 2-10

### Posiciones

**Para obtener el máximo rendimiento de limpieza**, se recomiendan las siguientes posiciones según la altura de la alfombra:

- **Posiciones más bajas:** para todo tipo de alfombras.

**Nota:** Si le cuesta mucho empujar la aspiradora, gire la perilla a la siguiente posición más alta.

- **Posiciones más altas:** para alfombras de más espesor, donde se desea facilitar el esfuerzo al empujar, mientras se mantiene una buena limpieza.

## 2-11

### Apagado del rodillo de escobillas del agitador

El rodillo de escobillas del agitador se apaga automáticamente cuando la aspiradora está en posición vertical.

Para apagar manualmente el rodillo de escobillas del agitador para limpiar pisos de superficie dura, pise el pedal (E). El indicador (F) se verá rojo en la ventana de "apagado del rodillo de escobillas". Para activar el rodillo de escobillas del agitador, pise el pedal nuevamente. El indicador se verá rojo en la ventana de "encendido del rodillo de escobillas".

## 2-12

### Limpieza de alfombras livianas y flexibles

Párese en un extremo de la alfombra y pase la aspiradora hacia el otro extremo o borde. Antes de llegar al borde, empuje el mango hacia abajo. Esto levantará la boquilla (parte delantera de la aspiradora) como se muestra y evitará que la alfombra se adhiera a la aspiradora. Continúe levantando la boquilla de modo que, cuando llegue al borde, esté completamente separada de la alfombra. Retroceda la aspiradora para comenzar otra vez, baje la boquilla y pásela solamente hacia delante.

### Accesorios de limpieza

Los accesorios le permiten limpiar superficies que están a mayor altura que el piso y llegar a áreas difíciles de limpiar.

La aspiradora está lista para usarse con los accesorios cuando **el mango está en posición vertical**.

**El rodillo de escobillas del agitador no girará cuando la aspiradora esté en posición vertical o el indicador de apagado del rodillo de escobillas del agitador está en la posición de apagado cuando el mango está bajado.**

### Cómo limpiar los accesorios

Para limpiar la manguera y el accesorio de mano turboaccionado, limpie el polvo con un paño humedecido en detergente

suave. Enjuague con un paño húmedo. NO sumerja el accesorio de mano turboaccionado en agua.

Los accesorios de limpieza se pueden lavar en agua tibia con un detergente. Enjuáguelos y deje que se sequen al aire libre antes de usarlos.

## 2-13

### Para sacar la manguera

Cuando use los accesorios de limpieza coloque **el mango de la aspiradora en posición vertical. El rodillo de escobillas del agitador no girará cuando la aspiradora esté en posición vertical. Asimismo, apague la aspiradora antes de desconectar y conectar la manguera al tubo de la manguera (G).**

Para usar la manguera, levante el extremo de la manguera (H) como se muestra.

Cuando haya terminado de limpiar con los accesorios vuelva a colocar el extremo de la manguera dentro del tubo.

## 2-14

### Selección del accesorio apropiado

**I. Uso del accesorio combinado** con escobilla para muebles tallados, superficies de las mesas, libros, lámparas, accesorios de iluminación, persianas venecianas, zócalos, postigos de ventanas y rejillas de ventilación. Saque la escobilla (Fig. 2-15) para limpiar muebles tapizados, cortinajes, colchones, prendas de vestir y escaleras alfombradas.

**J. El accesorio de mano turboaccionado** se puede usar para muebles tapizados, cortinas, colchones, prendas de vestir, interiores de automóviles y escaleras alfombradas.

**K. El accesorio para hendiduras** se puede usar en lugares estrechos, esquinas y en los bordes de sitios como cajones de cómodas, muebles tapizados, escaleras y zócalos.

**L. Los tubos de extensión** se usan para hacer más larga la manguera. Úselos con cualquiera de los accesorios antes mencionados.

## 2-15

### Accesorio combinado

Deslice la escobilla para sacarla.

## 2-16

Para volver a colocar las escobillas, alinee la parte inferior de la escobilla con las acanaladuras (M) del accesorio. Deslice la escobilla en su lugar.

### Manguera con alcance adicional Extra Reach™

(disponible a un costo adicional) La manguera con alcance adicional Extra Reach™ facilita la limpieza de escaleras y lugares de difícil acceso. Siga los pasos indicados abajo para conectar o desconectar la manguera Extra Reach™.

## 2-17

### Apague la aspiradora antes de desconectar y conectar la manguera.

Saque el extremo de la manguera del conducto para el polvo (A). Alinee el extremo de la manguera Extra Reach™ con las proyecciones (B) sobre las ranuras (C) en el conducto para el polvo. Deslice la manguera en las ranuras y gire la manguera para trazarla en su lugar.

## 2-18

Alinee el extremo de la manguera con las proyecciones (D) sobre las ranuras (E) en la manguera Extra Reach™. Deslice la manguera en las ranuras y gire la manguera para trazarla en su lugar. (Para desconectar la manguera, invierta el procedimiento). La manguera debe estar conectada en el tubo de la manguera (D) y el conducto para el polvo (E) en la parte posterior de la aspiradora para la limpieza de alfombras o pisos.

Coloque los tubos o accesorios en el otro extremo de la manguera.

**NOTA: La manguera debe estar conectada al conducto para el polvo y al tubo de la manguera después de quitar la manguera Extra Reach™ para la limpieza de alfombras o pisos.**

## 2-19

### Colocación del tubo de extensión y de los accesorios

Coloque el accesorio o tubo de extensión en la manguera (F).

Coloque el accesorio en el tubo de extensión (G), empujándolo firmemente

en el tubo de extensión.

Gire el tubo de extensión o el accesorio ligeramente para apretar o aflojar la conexión.

## Limpieza de escaleras

Use la manguera y el accesorio de mano turboaccionado para limpiar las escaleras. Limpie de abajo hacia arriba.

**PRECAUCIÓN: Para evitar lesiones personales o el desgaste innecesario de la alfombra e impedir que se caiga la aspiradora, colóquela siempre al pie de las escaleras.**

## 3. Mantenimiento

Familiarícese con estas tareas de mantenimiento en el hogar, ya que el uso y cuidado adecuados de su aspiradora asegurarán la eficacia en la limpieza por largo tiempo.

### 3-1

#### Depósito para polvo Cuándo vaciarlo

Se recomienda que el depósito para polvo se vacíe antes que el polvo llegue a la línea de llenado (A) o, si se prefiere, después de cada uso. Coloque la aspiradora en posición vertical antes de sacar el depósito para polvo.

**Desconecte la aspiradora de la toma de corriente eléctrica. No use la aspiradora sin tener el depósito para polvo o los filtros en su lugar.**

**PRECAUCIÓN: Los materiales muy finos, tales como el talco facial o la maicena, podrían sellar el filtro y ocasionar que disminuya la succión. Cuando use la aspiradora para retirar material de esta índole, vacíe el depósito y cambie los filtros a menudo.**

### 3-2

#### Cómo vaciarlo

Presione el botón para soltar el depósito para polvo (B) y gire para sacar el depósito.

### 3-3

Sujetando el depósito para polvo sobre el recipiente de basura, oprima el botón para soltar la puerta del depósito para polvo (C) para abrir la puerta del depósito para polvo (D).

Oprima el botón para soltar la puerta del depósito para polvo para cerrar la

puerta del depósito para polvo.

### 3-4

Primero coloque el fondo del depósito para polvo dentro del cuerpo de la aspiradora. Gire el depósito para insertarlo en el cuerpo de la aspiradora.

### 3-5

Presione el botón para soltar el depósito para polvo mientras presiona firmemente el depósito para polvo. Suelte el botón para que regrese a la posición correcta y trabaje el depósito para polvo en su lugar.

## Limpieza de los filtros

### Conjunto del filtro ciclónico

#### Cómo limpiar

**Desconecte la aspiradora de la toma de corriente eléctrica. No use la aspiradora sin tener el depósito para polvo o los filtros en su lugar.**

### 3-6

Saque el depósito para polvo como se describe en la figura 3-2.

Gire el conjunto del filtro (A) en sentido contrario de las agujas del reloj. Saque el conjunto del depósito para polvo.

### 3-7

La suciedad y los residuos se pueden limpiar del conjunto del filtro cepillándolo con el accesorio combinado de la aspiradora.

Coloque el conjunto del filtro en el depósito para polvo, alineando (3) lengüetas (A) en cada lado del filtro con (3) ranuras del depósito para polvo (B) y gírelo en sentido de las agujas del reloj para fijarlo en su posición. Oprima el botón (C) para soltar la puerta del depósito para polvo para cerrar la puerta del depósito para polvo.

Vuelva a colocar el depósito para polvo como se describe en las figuras 3-4 y 3-5.

### Filtro secundario

#### Cómo limpiar

**Desconecte la aspiradora de la toma de corriente eléctrica. No utilice la aspiradora sin tener el depósito para polvo o los filtros en su lugar.**

### 3-8

Saque el depósito para polvo como se describe en la figura 3-2.

Con el pulgar, deslice la traba (A) ubicada en la parte superior del cuerpo de la aspiradora hacia la derecha y tire hacia abajo hacia el marco del filtro y sáquelo. Saque el filtro de espuma negra del marco. Enjuague el marco del filtro y el filtro de espuma bajo un chorro de agua fría.

Permita que tanto el marco del filtro como el filtro se sequen al aire durante 24 horas antes de volver a colocar el filtro en el marco. Vuelva a colocar el marco del filtro insertando las lengüetas (B) en las ranuras en la parte posterior del cuerpo de la aspiradora. Gire el marco del filtro hacia la parte superior del cuerpo de la aspiradora y encájelo para cerrarlo.

### Qué comprar

Cuando compre un nuevo conjunto del filtro secundario, pida la pieza **No. 40110-012 de HOOVER.**

### Filtro final HEPA

#### Cómo limpiar

**Desconecte la aspiradora de la toma de corriente eléctrica. No utilice la aspiradora sin tener el depósito para polvo o los filtros en su lugar.**

### 3-9

Con los dedos en las ranuras, tire del marco del filtro (A) directamente hacia afuera.

La suciedad y los residuos se pueden limpiar del cartucho del filtro cepillándolo con el accesorio combinado de la aspiradora. **NO ENJUAGUE NI LAVE el cartucho del filtro HEPA.**

Deslícelo para volver a colocarlo en la aspiradora.

### Qué comprar

Cuando compre un nuevo cartucho de filtro final HEPA, pida la **pieza No. 93002360 de HOOVER.**

### Reemplazo de la luz delantera

### Qué comprar

Esta aspiradora usa un bombillo de 13 voltios de base en cuña, tipo T-3 114, **pieza No. 27313-107 de Hoover.**

### 3-10

#### Para sacar la lente

**Desconecte la aspiradora de la toma de corriente eléctrica.**

Presione el pedal para soltar el mango y coloque el mango en la posición baja.

Con un destornillador Phillips, saque

el tornillo como se muestra y levante la lente.

### 3-11

#### Para instalar el bombillo

Saque el bombillo usado, directamente de su receptáculo. Inserte uno nuevo y empújelo hasta que quede fijo en su lugar.

**No se requiere usar fuerza excesiva.**

### 3-12

#### Para reemplazar la lente

Vuelva a colocar la lente y asegúrela con el tornillo.

#### Reemplazo de la correa

Las correas están ubicadas debajo de la placa inferior de la aspiradora y se deben revisar periódicamente para asegurar que estén en buenas condiciones.

La correa (ancha) plana se describe más adelante; la otra correa se describe en la sección "Rodillo de escobillas del agitador".

#### Cuándo reemplazarla

**Desconecte la aspiradora de la toma de corriente eléctrica. ADVERTENCIA: el rodillo de escobillas del agitador puede empezar a girar sin aviso alguno. Desenchufe la aspiradora antes de voltearla.**

Para revisar la correa plana, retire la placa inferior como se muestra en la sección "Cómo reemplazar la correa plana". Reemplace la correa si está estirada, rota o cortada.

#### Qué comprar

Para asegurar un funcionamiento eficaz, use solamente correas genuinas HOOVER con su aspiradora. Cuando compre una correa nueva, pida la correa plana-**pieza No. 40201-271 de HOOVER.**

### 3-13

#### Cómo reemplazar la correa plana

**Desconecte la aspiradora de la toma de corriente eléctrica.**

#### Para sacar la placa inferior

**ADVERTENCIA: El rodillo de escobillas del agitador puede empezar a girar sin aviso alguno. Desenchufe la aspiradora antes de voltearla.**

Coloque el mango en la posición baja y voltee la aspiradora de manera que la parte inferior esté hacia arriba.

Quite los 6 tornillos con un destornillador Phillips, como se muestra.

Saque la placa inferior (A).

### 3-14

#### Para sacar la correa

Saque la correa usada (B) de la polea grande (C) y deséchela.

### 3-15

#### Para colocar la parte trasera de la correa

Con las letras en la parte de afuera de la correa, deslice la nueva correa sobre el eje del motor (D).

### 3-16

#### Para colocar la parte delantera de la correa

Coloque el otro extremo de la correa sobre la polea grande (C) mientras gira la polea en la dirección que se muestra.

### 3-17

Gire el rodillo de escobillas del agitador, asegurándose de que la correa gire libremente y no quede presionada entre el rodillo de escobillas del agitador y el protector del agitador.

### 3-18

#### Para volver a colocar la placa inferior

Vuelva a poner en posición la placa inferior y los 6 tornillos Phillips. Apriete bien los tornillos.

#### El rodillo de escobillas del agitador

##### Cuándo reemplazarlo

El rodillo de escobillas del agitador se debe reemplazar cuando las escobillas del rodillo de escobillas del agitador estén desgastadas.

**Desconecte la aspiradora de la toma de corriente eléctrica.**

**ADVERTENCIA: El rodillo de escobillas del agitador puede empezar a girar sin aviso alguno. Desenchufe la aspiradora antes de voltearla.**

#### Qué comprar

Cuando compre un agitador nuevo, pida la **pieza No. 93002361 de HOOVER.**

### 3-19

Para revisar la condición de las escobillas, pase el borde de una tarjeta a lo ancho de la placa inferior, mientras hace girar el rodillo de escobillas del agitador. Para mantener una limpieza eficaz, reemplace el rodillo de escobillas del agitador si las escobillas no tocan la tarjeta.

### 3-20

#### Para sacar el rodillo de escobillas del agitador

**Desconecte la aspiradora de la toma de corriente eléctrica.**

Gire la perilla de ajuste de altura para alfombras a la posición más baja. Voltee la aspiradora y quite la placa inferior (fig. 3-13). Levante el rodillo de escobillas del agitador y deslice la correa en V (A) para sacarla del rodillo de escobillas del agitador.

### 3-21

#### Para inspeccionar la correa en "V"

La correa en "V" ha sido diseñada para una larga duración y normalmente no se tendrá que reemplazar. Sin embargo, si la correa en "V" está agrietada, mellada o rota, se deberá reemplazar.

Deslice la correa plana para sacarla de la polea grande según se muestra en la fig. 3-14.

Para sacar la correa en "V", deslice la **parte trasera de la correa** sobre la polea (B). Luego **tire** firmemente de la correa y sáquela a presión.

Deseché la correa usada. Reemplácela por la pieza **No. 40201-200 de HOOVER.**

Para instalar una nueva correa (con las letras en la parte de afuera de la correa), **deslice la parte trasera de la correa sobre la polea y tire de la parte delantera de la correa hacia la acanaladura (C) junto a la polea.** La correa quedará colocada a presión a su lugar.

### 3-22

#### Para colocar la correa en el rodillo de escobillas del agitador

**Antes de colocar la correa en el rodillo de escobillas del agitador, verifique que no se hayan acumulado residuos según se describe en la**

### fig. 4-3.

Introduzca el rodillo de escobillas del agitador a través de la correa y coloque la correa en la acanaladura (D) en el agitador.

## 3-23

### Instalación del rodillo de escobillas del agitador

Sujete firmemente el rodillo de escobillas del agitador y colóquelo en posición, deslizando primero el extremo opuesto de la correa en la ranura rectangular (E) en el lado de la aspiradora.

Tire del otro lado del rodillo de escobillas del agitador (F) para colocarlo en su lugar. La correa puede calzar con flojedad cuando se instala correctamente.

Vuelva a colocar la correa plana y la placa inferior (figuras 3-15 a 3-16).

## 3-24

### Accesorio de mano turboaccionado

#### Reemplazo del rodillo de escobillas del agitador

El rodillo de escobillas se debe reemplazar cuando las escobillas del agitador estén gastadas. Pida la **pieza Hoover no. 48414-088**.

#### Cómo reemplazarlo

1. **Saque el accesorio de la manguera** y voltéelo de manera que la parte inferior mire hacia arriba. Presione las trabas a ambos lados del accesorio y saque la placa (A).

## 3-25

2. Destornille los dos tornillos Phillips y saque el protector de la correa (B).

## 3-26

3. Saque el agitador, incluyendo las placas de extremo (C) y deséchelo.

4. Inspeccione la correa para asegurarse de que esté en buenas condiciones. Si la correa está agrietada, mellada o rota, reemplácela (vea la siguiente sección).

5. Introduzca el rodillo de escobillas a través de la correa y coloque la correa sobre los dientes del engranaje (D) del rodillo de escobillas.

## 3-27

6. Con los extremos curvados hacia

abajo, deslice las placas de extremo (C) del rodillo de escobillas en las ranuras (E) del accesorio.

## 3-28

7. Vuelva a colocar el protector de la correa (B), asegurándose de no pellizcar las cerdas de las escobillas en el protector. Dé vuelta al agitador para asegurarse de que gire libremente.

Vuelva a colocar los tornillos y apriételes.

## 3-29

8. Para volver a colocar la placa inferior (A), inserte las cuatro lengüetas del borde de la placa inferior en las ranuras de la parte delantera del accesorio.

Gire la placa inferior hacia abajo y encájela para cerrarla.

### Accesorio de mano turboaccionado

#### Reemplazo de la correa Inspección de la correa

La correa del accesorio de mano turboaccionado ha sido diseñada para una larga duración y normalmente no se tendrá que reemplazar. Sin embargo, si la correa está agrietada, mellada o rota, se deberá reemplazar.

## 3-30

#### 1. Saque el accesorio de la manguera.

La correa se puede ver a través de la parte superior de la boquilla o sacando la placa inferior y el protector de la correa (figuras 3-24 y 3-25).

## 3-31

### Reemplace la correa

Al reemplazar la correa, pida la **pieza No. 38528-037 de HOOVER**.

2. Sujete la turbina (A) y tire con fuerza para sacarla.

3. Saque la correa de la polea de la turbina (B). Reemplácela con una correa nueva.

## 3-32

4. Con los lados planos de los dispositivos de retención de la turbina (C) apuntando hacia abajo, deslice los dispositivos de retención en las ranuras (D) del compartimiento para accesorios y encájelos en su lugar.

5. Vuelva a colocar el rodillo de escobillas, el protector de la correa y la placa inferior como se describe en las

figuras 3-26 a 3-29.

## Lubricación

El motor tiene cojinetes que cuentan con suficiente lubricación para la vida útil del motor. La adición de lubricantes podría causar daños. **Por lo tanto, no añada lubricante a los cojinetes del motor.**

El rodillo de escobillas del agitador tiene dos cojinetes de bolas que deberán ser lubricados periódicamente en un Centro de ventas y servicio de Hoover o por un Concesionario autorizado de servicio de garantía de Hoover.

## Protector térmico

Su aspiradora tiene incorporado un protector térmico para impedir el sobrecalentamiento. **Cuando el protector térmico se activa, la aspiradora deja de funcionar.**

Si esto sucede, proceda de la siguiente manera:

1. **Apague la aspiradora y desconéctela de la toma de corriente eléctrica.**
2. Revise si se ha acumulado suciedad en los filtros secundario y final.
3. Consulte la sección "Eliminación de obstrucciones".
4. **Una vez que la aspiradora esté desconectada de la toma de corriente eléctrica y el motor se haya enfriado durante 30 minutos**, el protector térmico se repone automáticamente y se puede seguir pasando la aspiradora. Si el protector térmico sigue activándose después de efectuar los pasos anteriores, es probable que su aspiradora necesite servicio (vea la sección "Servicio").

## Servicio

Para obtener el servicio autorizado HOOVER y piezas genuinas HOOVER, localice el **Centro de ventas y de servicio de Hoover o el Concesionario autorizado de servicio de garantía de Hoover (Depósito)** más cercano:

- consultando las páginas amarillas de la guía de teléfonos, bajo "Vacuum Cleaners-Household" ("Aspiradoras - Artículos del hogar") O -
- consultando la lista de Centros de ventas y de servicio provista con esta aspiradora, O -
- consultando la sección "Service" (Servicio) de Hoover en línea en **hoover.com** O -
- llamando al 1-800-944-9200 para obtener una referencia automatizada de las ubicaciones de los centros de servicio autorizados (solamente en EE.UU.).

No envíe su aspiradora a Hoover en North Canton, Ohio, para obtener servicio; esto sólo le causará demoras.

Si necesita asistencia adicional, comuníquese con Hoover Centro de respuesta al cliente, teléfono 1-330-499-9499.

En Canadá, comuníquese con Hoover Canada, Burlington, Ontario L7R 4A8, teléfono: 1-800-263-6376.

Al solicitar información u ordenar piezas, siempre identifique su aspiradora por el número **completo** de modelo. (El número de modelo figura en la parte posterior de la aspiradora.)

## 4. Si tiene un problema

Si ocurre un problema menor, generalmente puede resolverse con bastante facilidad cuando se halla la causa, usando la siguiente lista de verificación.

### **Problema: La aspiradora no funciona**

#### **Causa posible**

*Solución posible*

- **No está bien enchufada**
- *Enchúfela bien*
- **No hay voltaje en la toma de corriente de la pared**
- *Revise el fusible o el disyuntor*
- **Fusible quemado o se disparó el disyuntor**
- *Reemplace el fusible o reajuste el disyuntor*
- **Protector térmico activado**
- *Desenchufe la aspiradora y permita que se enfríe durante 30 minutos (esto reajustará el protector térmico)*

### **Problema: La aspiradora/los accesorios de la aspiradora no aspiran**

#### **Causa posible**

*Solución posible*

- **La correa está rota o desgastada**
- *Reemplace la correa*
- **El rodillo de escobillas del agitador está desgastado**
- *Reemplace el agitador de rodillo de escobillas*
- **El depósito para polvo está lleno**
- *Vacíe el depósito para polvo*
- **Ajuste incorrecto de la altura para alfombras**
- *Mueva la perilla de control de la boquilla a una posición más baja*
- **Obstrucción en los pasos del flujo de aire**
- *Elimine la obstrucción*
- **El rodillo de escobillas del**

#### **agitador está apagado**

- *Pise el pedal (fig. 2-11) para encender el rodillo de escobillas del agitador*
- **Filtro sucio**
- *Limpie los filtros (figs. 3-6 a 3-9)*

### **Problema: Dificultad para empujar la aspiradora**

#### **Causa posible**

*Solución posible*

- **Ajuste incorrecto de la altura para alfombras**
- *Coloque el control de la altura para alfombras en una posición más alta*

### **Problema: Se detecta un olor a humo/quemado**

#### **Causa posible**

*Solución posible*

- **Correa rota o estirada**
- *Reemplace la correa del rodillo de escobillas del agitador como se describe en las figuras 3-13 a 3-18 en la sección de Mantenimiento*

### **Problema: El rodillo de escobillas del accesorio de mano turboaccionado no gira**

#### **Causa posible**

*Solución posible*

- **Se está aplicando demasiada presión al accesorio**
- *Continúe usando el accesorio aplicando una presión **ligera***
- **Obstrucción en el canal de la turbina**
- *Elimine la obstrucción*
- **La correa está rota o desgastada**
- *Reemplace la correa*
- **Succión baja de la aspiradora**
- *Consulte "La aspiradora no recoge"*

## Eliminación de obstrucciones

### **Desconecte la aspiradora de la toma de corriente eléctrica.**

La succión o aspiración baja se puede deber a una obstrucción en el sistema. Consulte los siguientes pasos **a fin de revisar si hay obstrucciones, siguiendo los pasos uno a uno hasta que encuentre la obstrucción:**

1. Revise el nivel de llenado del depósito para polvo; vacíelo si es necesario.

### **4-1**

#### **Revisión del paso del flujo de aire**

2. Enchufe la aspiradora y enciéndala. Revise si hay succión en el extremo de la manguera (A). Si hay succión, continúe con el paso 3.
3. **Apague la aspiradora**

#### **y desconéctela.**

Revise la conexión en el tubo de la manguera (B); elimine cualquier obstrucción.

### **Revise el filtro secundario**

4. Quite y limpie el filtro secundario (Fig. 3-8). Vuelva a colocar el filtro.

### **4-2**

### **Revisión del paso del flujo de aire a través del tubo de entrada de la manguera en la parte posterior de la aspiradora**

5. **Apague la aspiradora y desconéctela.**
6. Si puede verse la obstrucción en el tubo (C), saque 5 tornillos usando un destornillador Phillips.
7. Tire del tubo para sacarlo de la aspiradora, elimine la obstrucción.
8. Vuelva a colocar el tubo en la parte posterior de la aspiradora y vuelva a colocar los 5 tornillos.

### **4-3**

### **Revisión debajo de la placa inferior**

9. Apague la aspiradora y desconéctela.
10. Saque la placa inferior (fig. 3-13) y el rodillo de escobillas del agitador (fig. 3-20). Mire en la abertura (D), en las canaletas (E) y alrededor del forro (F) y quite los residuos acumulados.
11. Vuelva a colocar el rodillo de escobillas del agitador y la placa inferior.

### **4-4**

### **Si hay una obstrucción durante el uso del accesorio de mano turboaccionado:**

12. **Desconecte el accesorio de mano turboaccionado de la manguera.** Saque la placa inferior, el protector de la correa y la turbina como se describe en las figuras 3-24, 3-25 y 3-31.

Elimine cualquier obstrucción del canal de la turbina (G).

Vuelva a colocar la correa de la turbina, el rodillo de escobillas, el protector de la correa y la placa inferior.

## Garantía de un año completo (Uso doméstico)

Su aparato HOOVER® está garantizado para uso doméstico normal, según el Manual del propietario, contra defectos originales en el material y la fabricación por el período de un año completo a partir de la fecha de compra. La presente garantía cubre gratuitamente toda la mano de obra y las piezas necesarias para dejar este aparato en buen estado de funcionamiento durante el período de garantía. Esta garantía es válida si el aparato fue comprado en los Estados Unidos, en sus territorios y posesiones, en Canadá o en una tienda situada en una base militar de los EE.UU. Los aparatos comprados en otros lugares están cubiertos por una garantía limitada de un año que cubre solamente el costo de las piezas. Esta garantía no es válida si el aparato es utilizado para uso comercial o de alquiler.

Esta garantía solamente es válida cuando el producto se usa en el país o territorio en el cual fue comprado.

El servicio bajo garantía se puede obtener solamente al presentar el aparato en uno de los centros autorizados de servicio de garantía indicados a continuación. Puede requerirse la presentación de un comprobante de compra antes de efectuar el servicio.

1. Centros de ventas y de servicio de Hoover.
2. Concesionarios autorizados de servicio de garantía de Hoover (Depósitos).

**Para obtener una referencia automatizada de las ubicaciones de los centros autorizados de servicio en los Estados Unidos, llame al 1-800-944-9200 O**

**visite Hoover en línea en [hoover.com](http://hoover.com)**

Esta garantía no cubre la recogida, la entrega, ni las visitas a domicilio; sin embargo, si envía su aparato a un Centro de ventas y de servicio de Hoover para obtener un servicio bajo garantía, el transporte se pagará en una sola dirección.

Esta garantía le otorga derechos legales específicos, usted puede tener además otros derechos que varían de estado a estado.

Si necesita asistencia adicional, o si tiene preguntas sobre esta garantía o la disponibilidad de centros de servicio de garantía, llame al Centro de respuesta al cliente de Hoover al 1-330-499-9499.

En Canadá, comuníquese con Hoover Canada, Burlington, Ontario L7R 4A8, 1-800-263-6376.